

Introducing
THE GLAM AGENTS
for your space decor



GLASS
FITTING


NOZDAKTM
Your Performance, Our Endurance

Product Catalogue
Edition -II

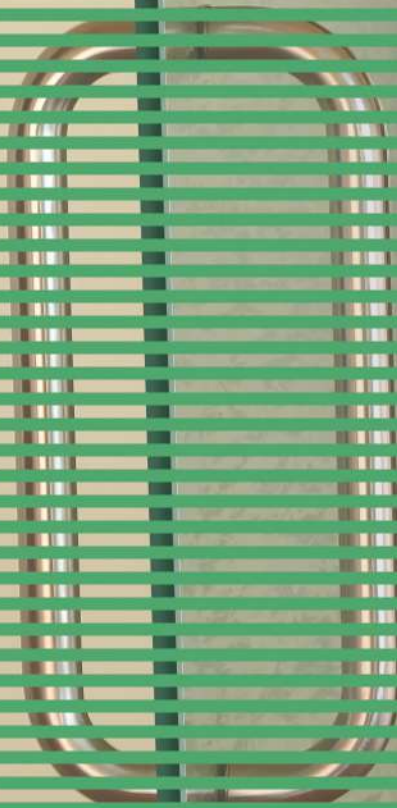
Undeniably exceptional. Obviously NOZDAK.

Anyone who says you cannot improve upon perfection has never seen the versatile ensemble of glass fittings crafted by Nozdak. Opening up a whole new world of fascination, this uber cool collection of fitment is a result of engineering excellence, human acumen and space management come together. Conceived out of our well-equipped design lab, each of these glam agents are created from the finest raw material, through the able hands of highly skilled technicians at our state-of-the-art manufacturing set up that boasts of having most modern constellation of machinery like highly advanced VMC, CNC, Turning, Buffing and Fitting machines ensure the entire manufacturing process is in conformance with international quality standards.

In order to meet the escalating demand from both individual and institutional clients, we have established a system to that allows us to keep abreast of changing dynamics in construction industry, interior designing and demographics at both national and international levels. Our products bear the hallmark of perfection thanks to our corporate policy of never compromising in quality at any cost. This has resulted into an ever expanding base of loyal customer across the markets that we operate into and also won us accolades from architects, interior designers and associates as well. We are glad to present a whole new range of architectural glass fittings that will be an ideal choice for your offices, shops, showrooms, malls, hospitals, studios, boutiques and even a home!

This catalogue is a verbo-visual journey that will take you closer to the fascinating glam agents by NOZDAK.





company



Profile

Table of Index

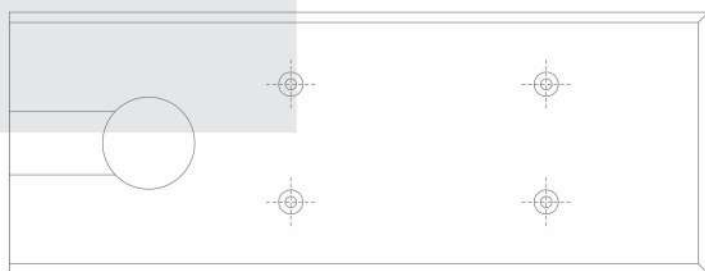
Floor Springs.....	1	Door Knobs.....	66
Hydraulic Patch Fitting.....	7	Washroom Partition Fittings.....	67
Patch Fittings.....	9	Sliding Door Systems.....	75
Solid Patch Fittings.....	23	Glass Door Locks without Cutout.....	105
Glazing Profiles.....	27	Spider Fittings.....	115
Point Fixed Patch Fittings.....	29	Glass Railing Accessories.....	125
Point Fixed Glass Connectors.....	33	Glass Shelf Holders.....	128
Door Handles.....	35	Door Closer.....	129
Plastic Profiles.....	48	Automatic Sliding Door Sensor.....	131
Shower Hinges & Glass Connectors.....	51	Automatic Folding Door.....	134
Shower Knight Head Accessories.....	65	Sliding Folding System.....	135
		Smart Door Locks & Hotel Lock System..	145



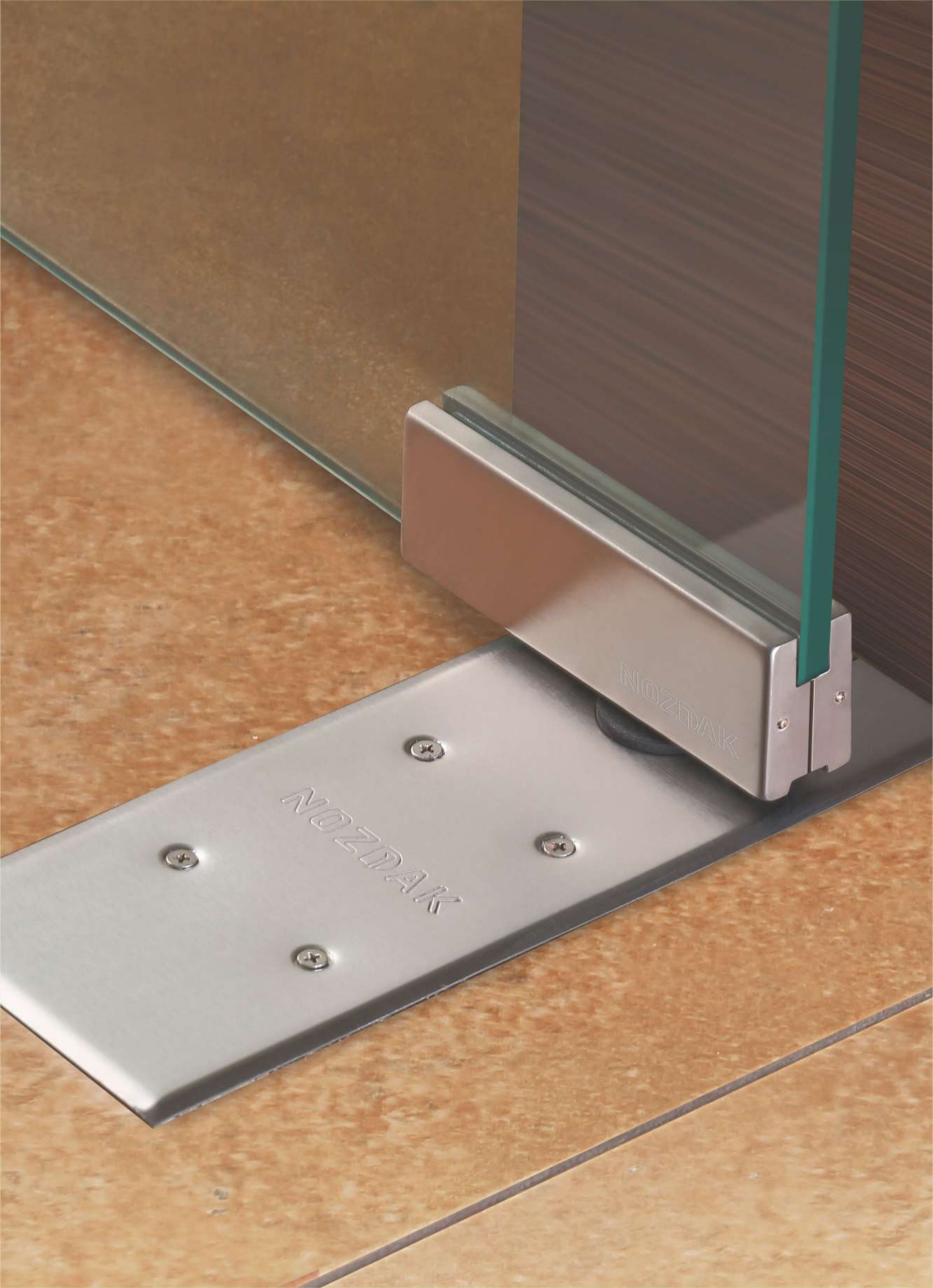


Nozdak Floor Spring can withstand extreme temperatures varying between 50° to -30°. Heavy duty floor springs are recommended for heavier and higher doors.

High-quality steel, oil seal helps movements over 500,000 times.



Floor Springs



NOZDAK

NOZDAK

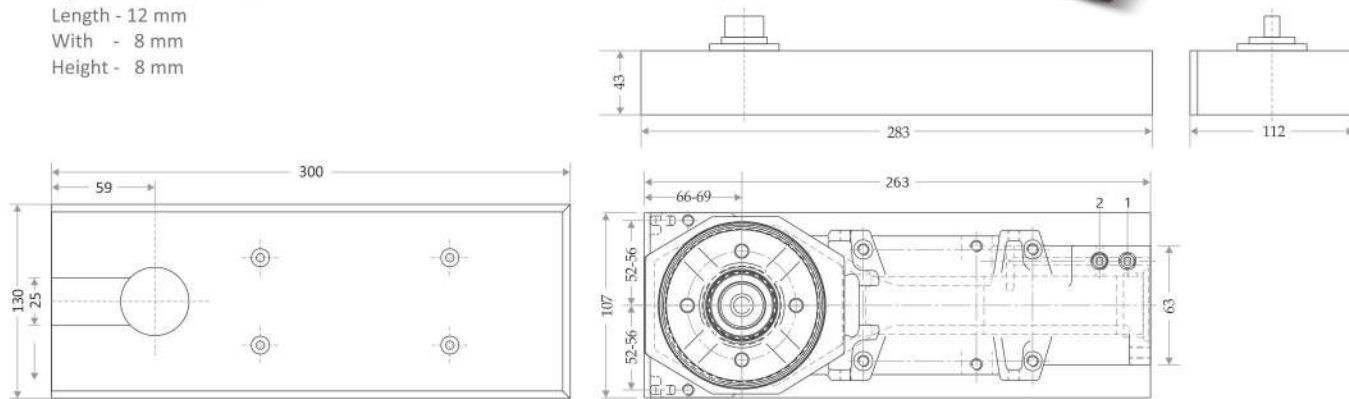
NFS-1000

Available Finish

- Satin Stainless Steel
- Polish Stainless Steel

Technical Details

- About 5 Lakh cycles tested
- Maximum door width 1000mm
- Maximum door weight 80-100kgs
- Non hold open for pool gates
- Cement box size
 - Length - 283 mm
 - With - 112 mm
 - Height - 43 mm
- Adjustment in cement box
 - Length - 12 mm
 - With - 8 mm
 - Height - 8 mm



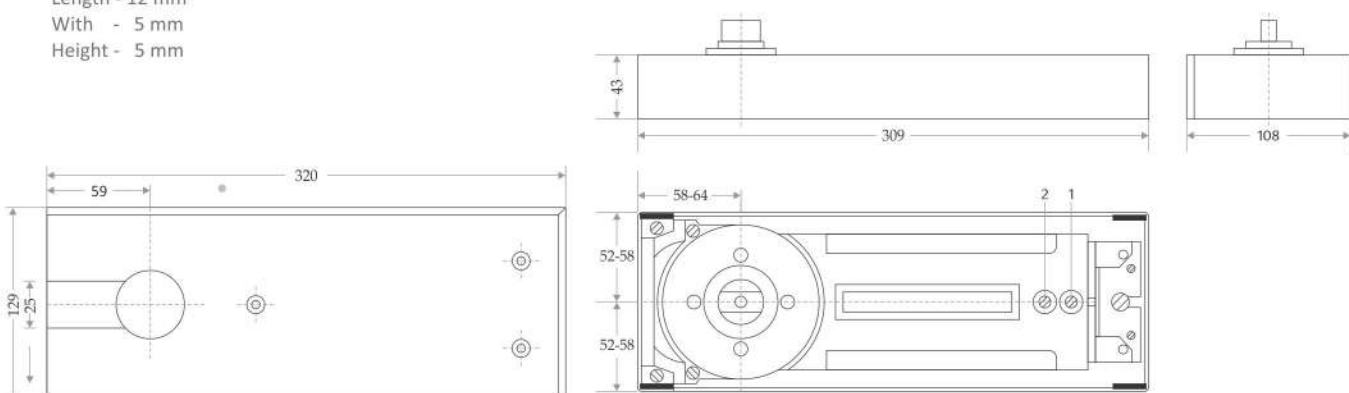
NFS-2000

Available Finish

- Satin Stainless Steel
- Polish Stainless Steel

Technical Details

- About 5 Lakh cycles tested
- Maximum door width 1200mm
- Maximum door weight 100-120kgs
- Non hold open for pool gates
- Cement box size
 - Length - 309 mm
 - With - 108 mm
 - Height - 43 mm
- Adjustment in cement box
 - Length - 12 mm
 - With - 5 mm
 - Height - 5 mm



Special Notes

In areas likely to be subject to water our optional stainless steel cement box is available.
All our range of patch fittings, pivots and latches compliment the floor spring installation.

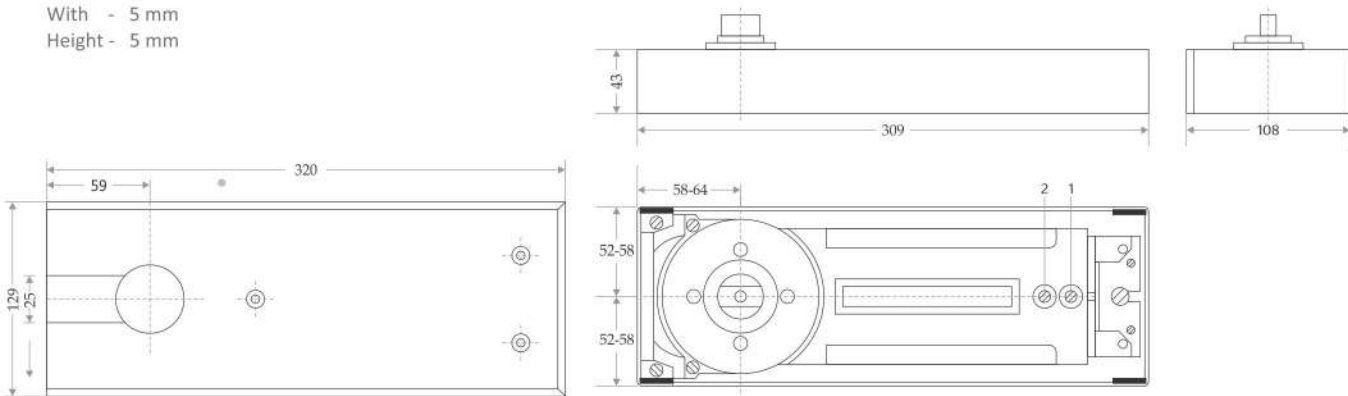
NFS-3000

Available Finish

- Satin Stainless Steel
- Polish Stainless Steel

Technical Details

- About 5 Lakh cycles tested
- Maximum door width 1800mm
- Maximum door weight 120-150kgs
- Non hold open for pool gates
- Cement box size
 - Length - 309 mm
 - With - 108 mm
 - Height - 43 mm
- Adjustment in cement box
 - Length - 12 mm
 - With - 5 mm
 - Height - 5 mm



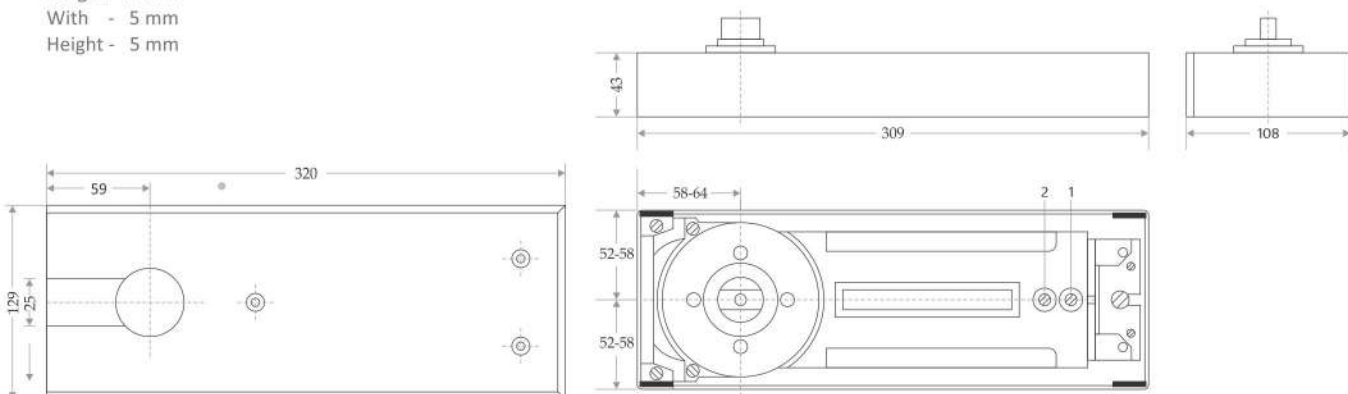
NFS-4000

Available Finish

- Satin Stainless Steel
- Polish Stainless Steel

Technical Details

- About 5 Lakh cycles tested
- Maximum door width 1800mm
- Maximum door weight 200-250kgs
- Non hold open for pool gates
- Cement box size
 - Length - 309 mm
 - With - 108 mm
 - Height - 43 mm
- Adjustment in cement box
 - Length - 12 mm
 - With - 5 mm
 - Height - 5 mm



Special Notes

In areas likely to be subject to water our optional stainless steel cement box is available.
All our range of patch fittings, pivots and latches compliment the floor spring installation.

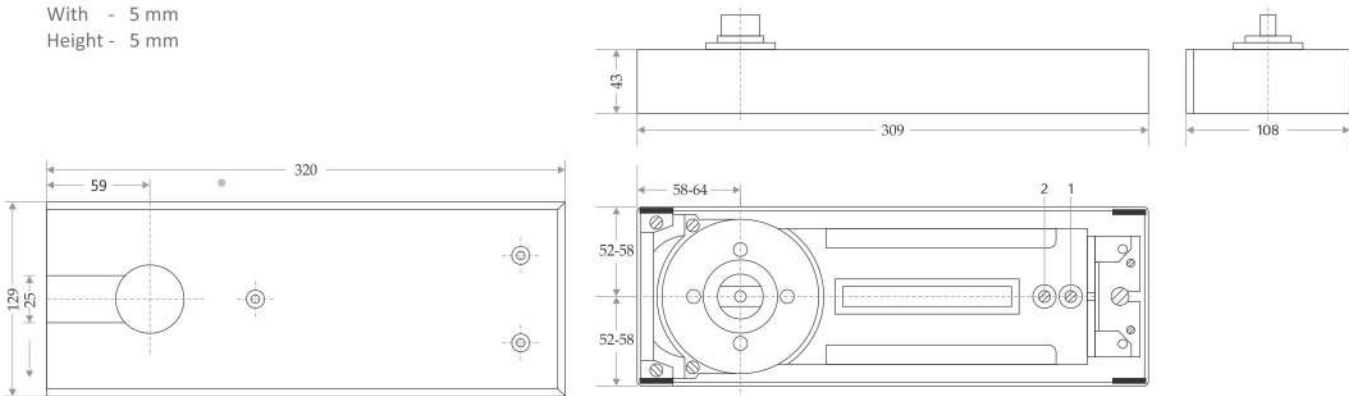
NFS-5000

Available Finish

- Satin Stainless Steel
- Polish Stainless Steel

Technical Details

- About 5 Lakh cycles tested
- Maximum door width 1000mm
- Maximum door weight 80-100kgs
- Non hold open for pool gates
- Cement box size
 - Length - 309 mm
 - With - 108 mm
 - Height - 43 mm
- Adjustment in cement box
 - Length - 12 mm
 - With - 5 mm
 - Height - 5 mm



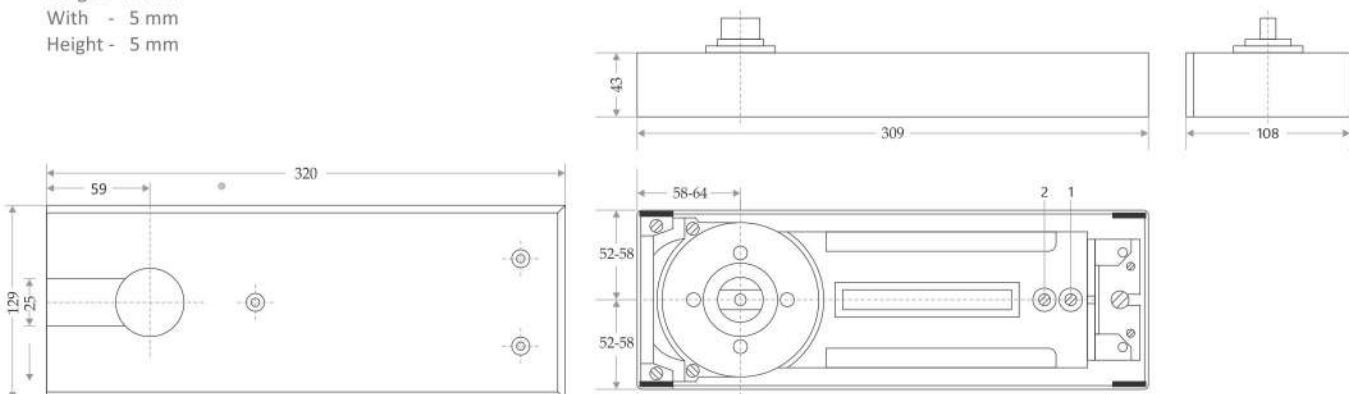
NFS-5000 P

Available Finish

- Satin Stainless Steel
- Polish Stainless Steel

Technical Details

- About 5 Lakh cycles tested
- Maximum door width 1000mm
- Maximum door weight 80-100kgs
- Non hold open for pool gates
- Cement box size
 - Length - 309 mm
 - With - 108 mm
 - Height - 43 mm
- Adjustment in cement box
 - Length - 12 mm
 - With - 5 mm
 - Height - 5 mm



Special Notes

In areas likely to be subject to water our optional stainless steel cement box is available. All our range of patch fittings, pivots and latches compliment the floor spring installation.





WORLDWIDE

NHPF-1000

Available Finish

- Satin Stainless Steel
- Polish Stainless Steel

Technical Details

- About 5 Lakh cycles tested
- Maximum door width 1100mm
- Maximum door weight 100kgs
- Dimension : 183x30x65mm
- Ambient temperature 20°C~+50°C
- Quick and easy installation
The design no need drill/hole on the floor, making installation easier.
- Opening Lightly, Close Smoothly



Maximum open degree Left side 150°, Right side 150°

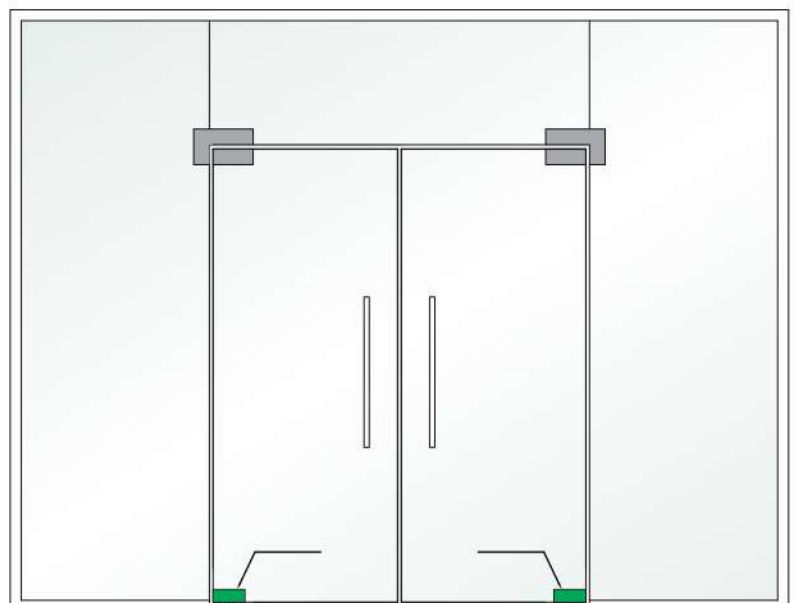
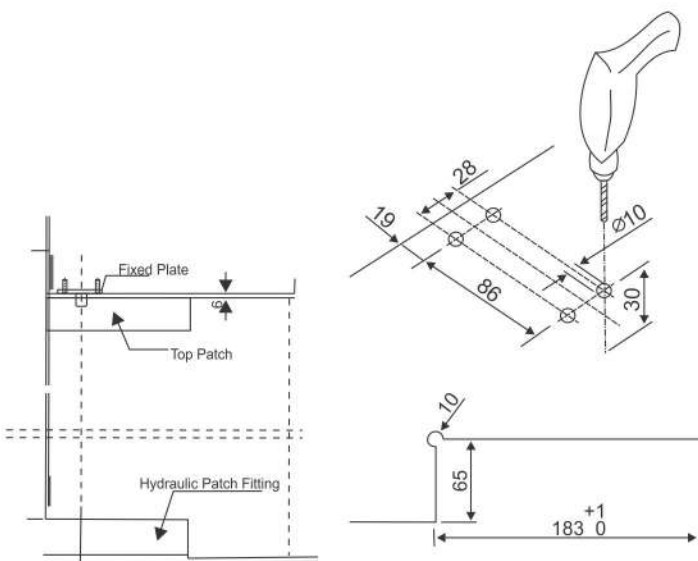
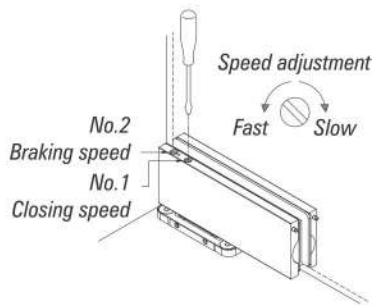
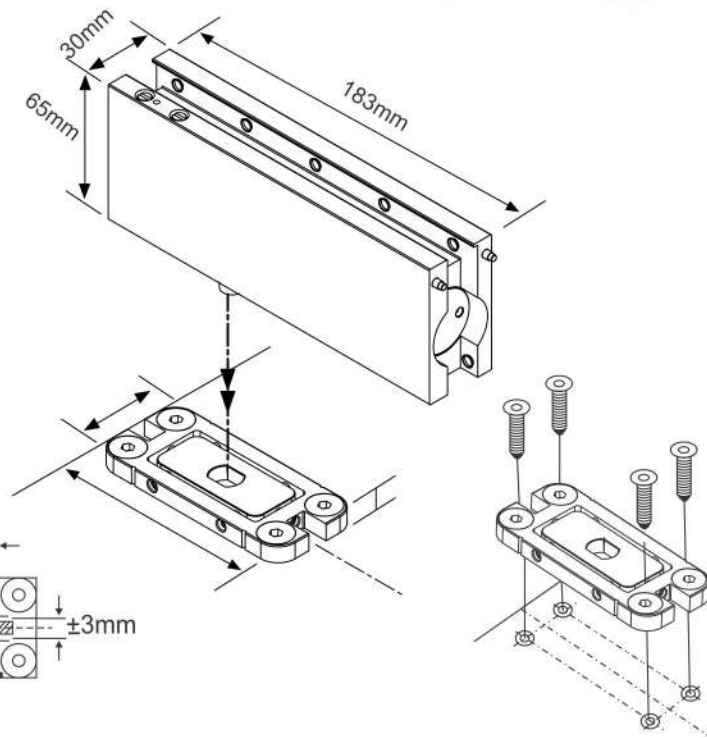
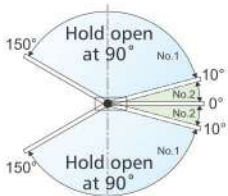
90° Hold- Open Function

Closing Speed 150°- 10°

Buffering Speed 10°- 0°

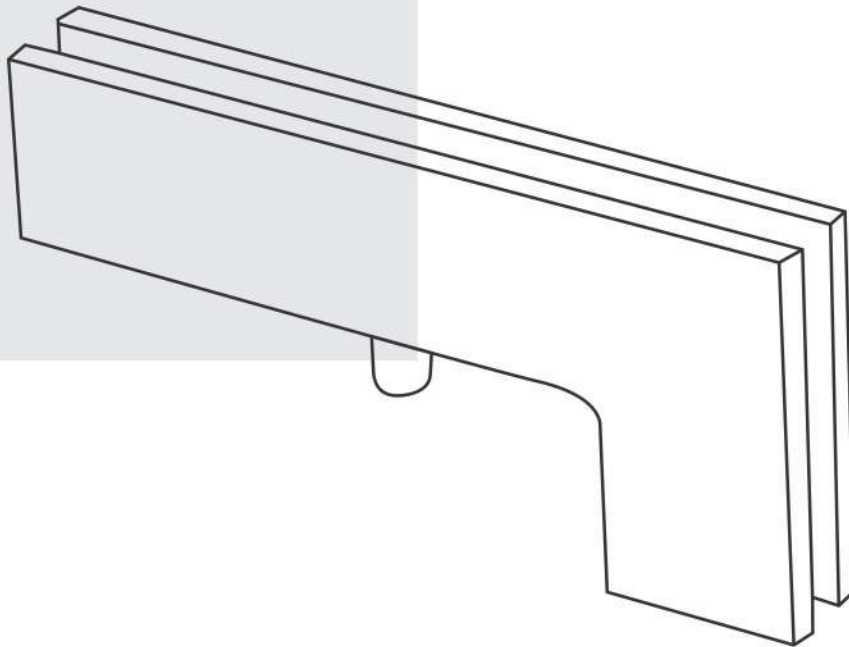
Adjustment can be individually

Hold open at 90°

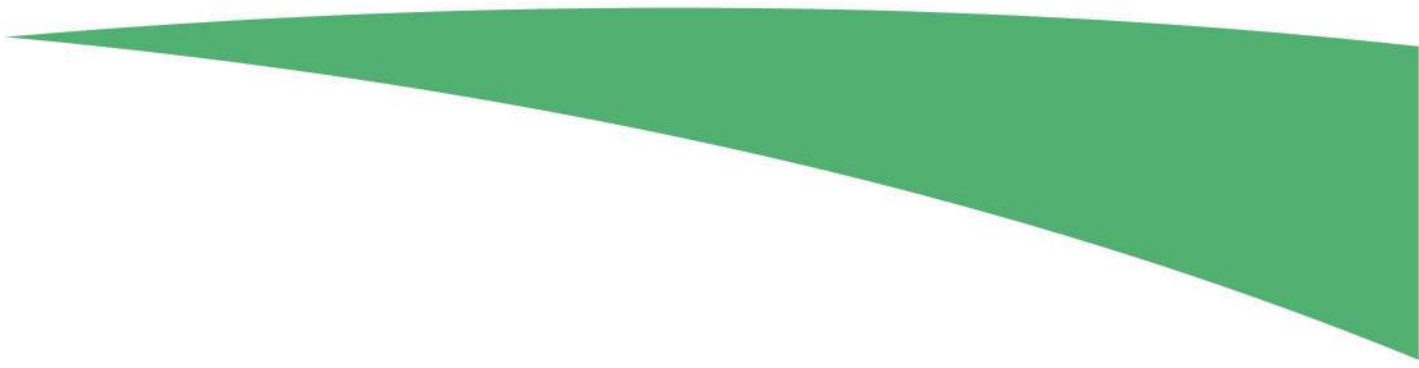




NOZDAK Patch Fittings, High-strength alloy die-cast body assures safety and durability. Decorative case punched precisely of Stainless Steel 304 grade. The pads are made of particular oxidation resisting material. Suitable for toughened glass door with the thickness of 10-12mm (can also be the order as per customer's specifications).



Patch Fittings





NOZDAK



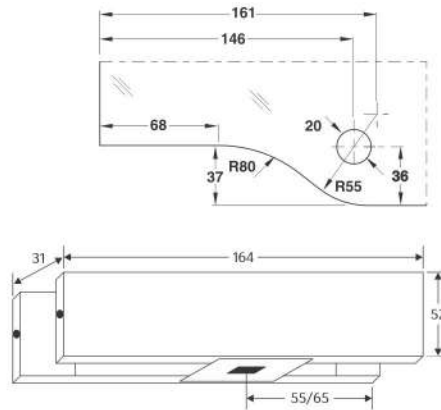
NPF-10

Bottom Patch

Secured on to the Bottom of the Door Leaf to accept the Spindle of Nozduk floor springs

Specifications

- With stainless steel 304 cover
- Cover secured with small 'L' key
- Adjustable pivot point 55/65 mm
- Stainless steel finish



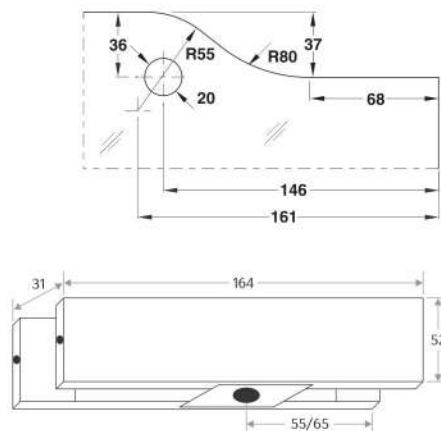
NPF-20

Top Patch

Secured on to the Door Leaf Top to accept the Pivot of NPF-290 or NPF-60

Specifications

- With stainless steel 304 cover
- Cover secured with small 'L' key
- Adjustable pivot point 55/65 mm
- Stainless steel finish



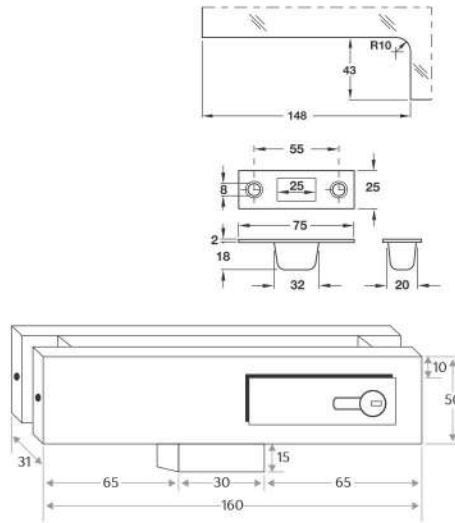


NPF-30 Lock Patch

To Lock swing door on Floor/Ceiling
Specifications

With a euro profile cylinder & strike plate
Dead bolt projection of 15mm (single throw)

- Three high security computer keys
- With stainless steel 304 cover
- Cover secured with small 'L' key
- Stainless steel finish

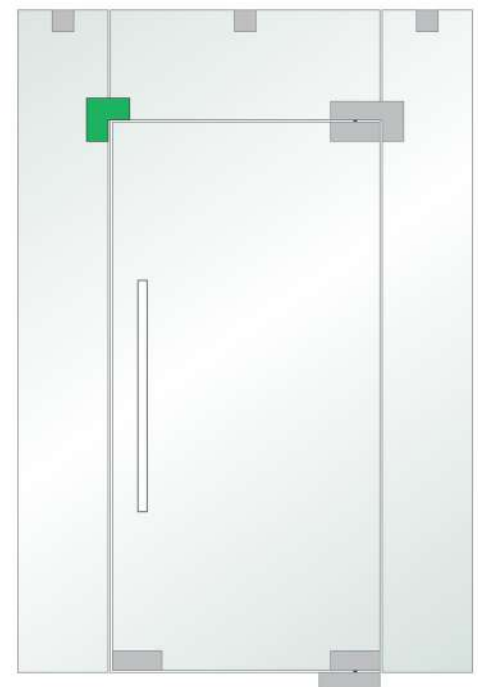
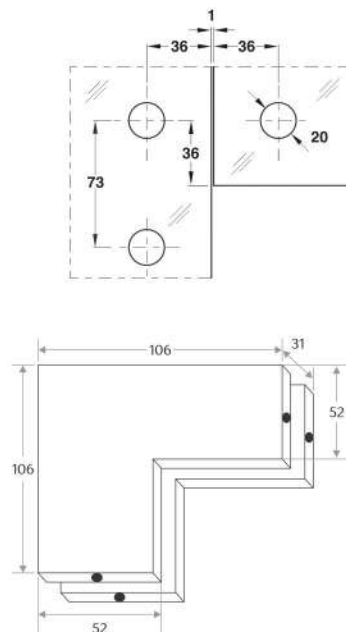


NPF-40 Over panel and Side panel connector

Patch to secure the Over panel and Side panel
at the opening edge of the door

Specifications

- With stainless steel 304 cover
- Cover secured with small 'L' key
- Stainless steel finish



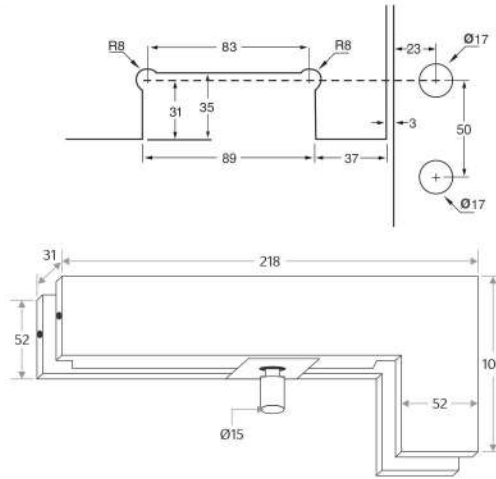


NPF-50

Over Panel Side Panel Connecting Patch

Connector over panel and side panel with pivot
Specifications

- With stainless steel 304 cover
- Cover secured with small 'L' key
- Pivot pin of 15mm diameter
- Adjustable pivot point 55/65 mm
- Stainless steel finish

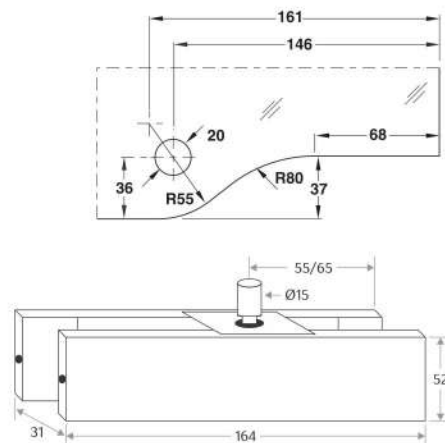


NPF-60

Over Panel Patch

Over panel with pivot
Specifications

- With stainless steel 304 cover
- Cover secured with small 'L' key
- Adjustable pivot point 55/65 mm
- Stainless steel finish



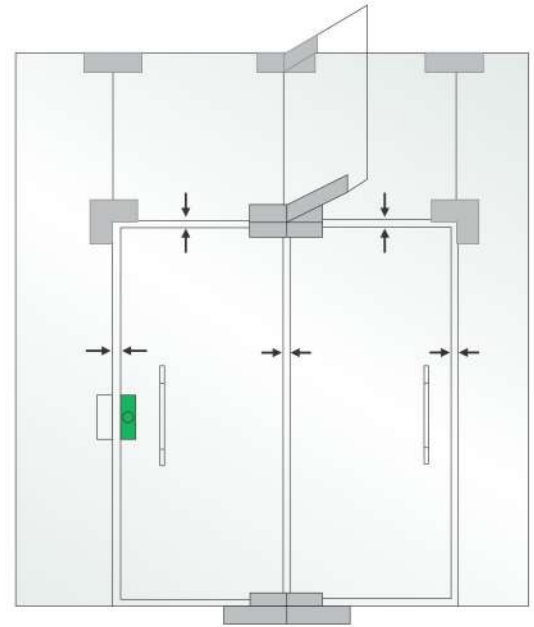
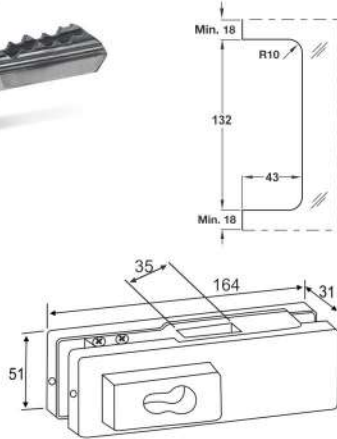


NPF-70
Center Patch Lock

Suitable to lock swing door

Specifications

- can also be use to lock doors from center.
- with a euro profile cylinder and strike plate
- with 3 high security computerized keys
- single throw rectangular bolt with 15mm projection
- with stainless steel 304 cover
- high quality temperd precision screws are used to ensure solid griping
- stainless steel finish

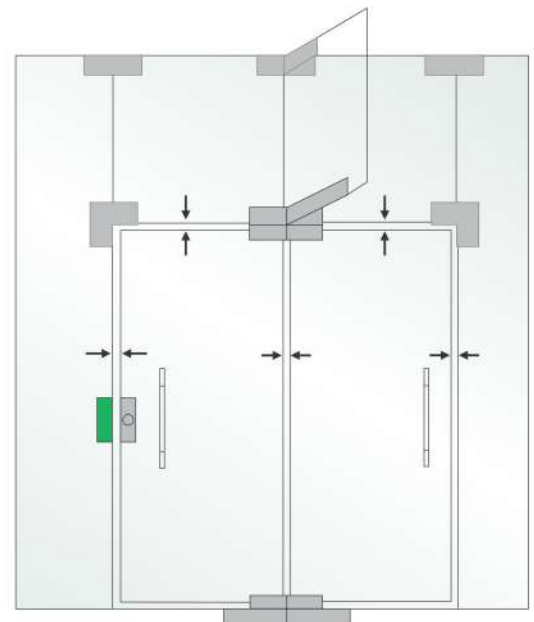
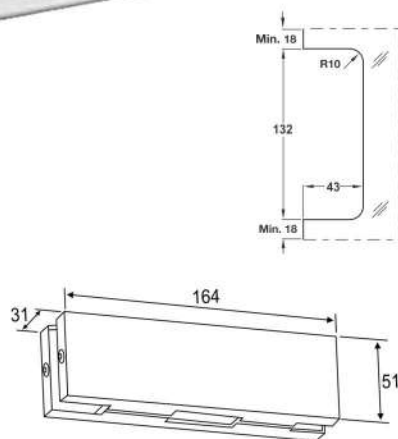


NPF-80
Center Lock Strike Box

Suitable to lock double door

Specifications

- can also be use to lock doors from center.
- Strike box for **NPF-70**
- with stainless steel 304 cover
- high quality temperd precision screws are used to ensure solid griping
- stainless steel finish



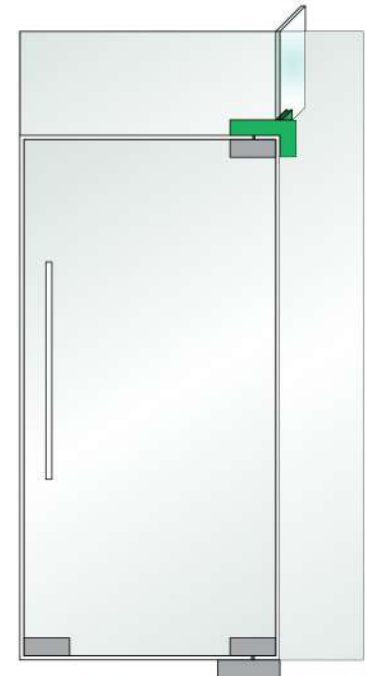
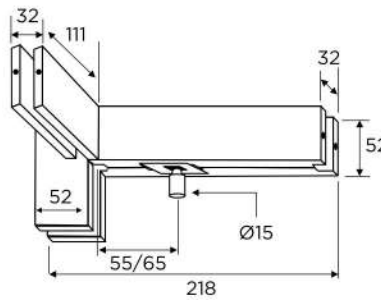
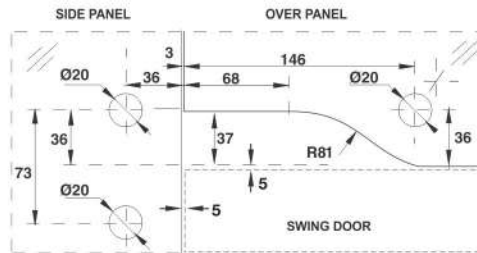
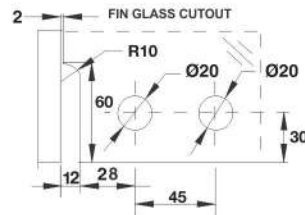


NPF-90

Over Panel Side Panel
Connector with Fin (Left)

Suitable for fixing over panel & side panel along with fin
Specifications

- Over panel side panel with fin inside
- with stainless steel 304 cover
- High quality tempered precision screws are used to ensure solid gripping
- stainless steel finish



View from outside with Fin on the inside

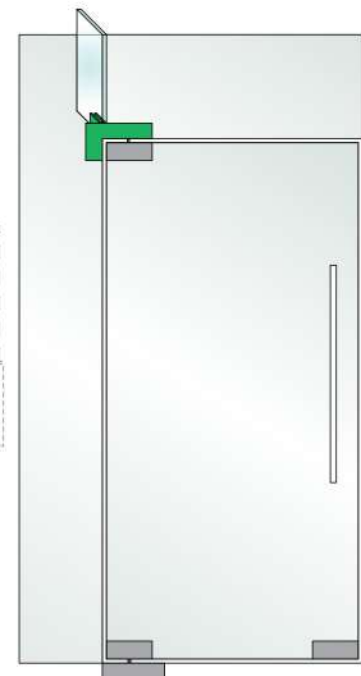
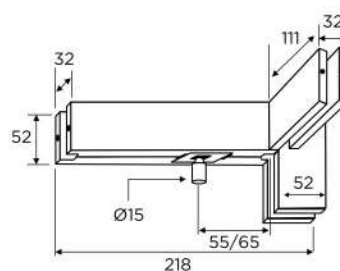
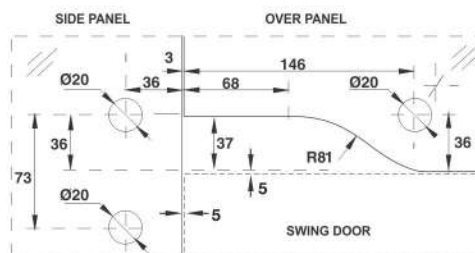
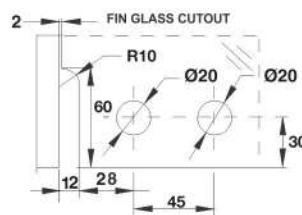


NPF-100

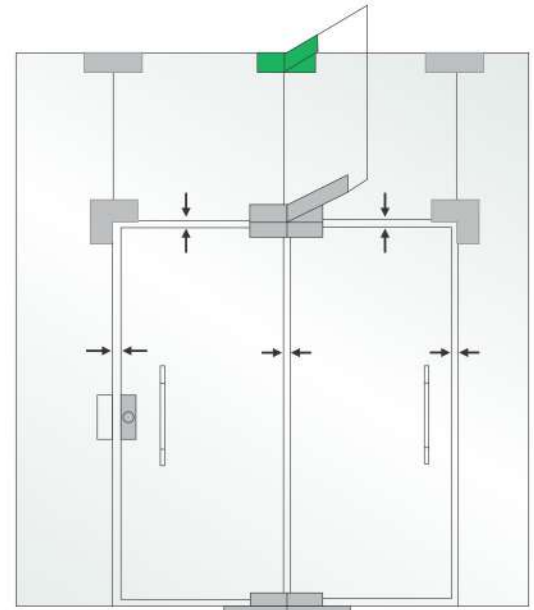
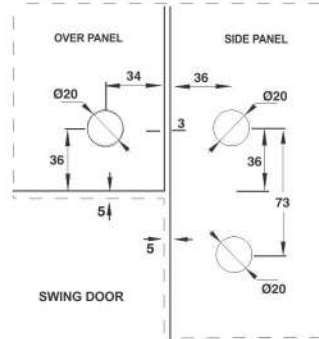
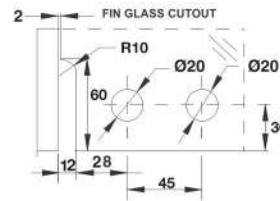
Over Panel Side Panel
Connector with Fin (Right)

Suitable for fixing over panel & side panel along with fin
Specifications

- Over panel side panel with fin inside
- with stainless steel 304 cover
- High quality tempered precision screws are used to ensure solid gripping
- Stainless steel finish



View from outside with Fin on the inside



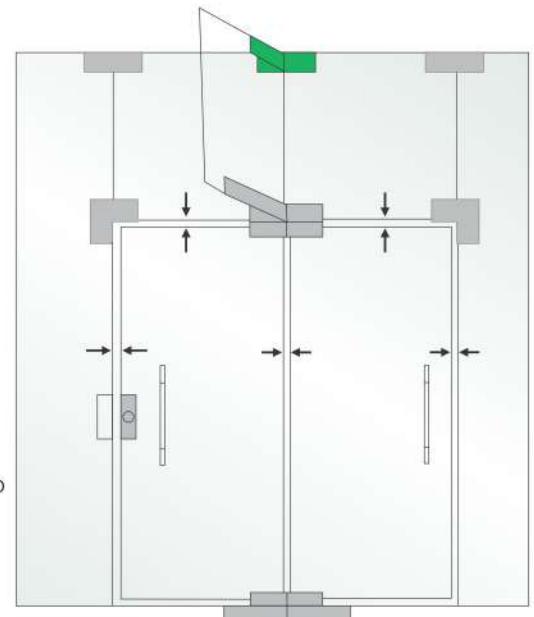
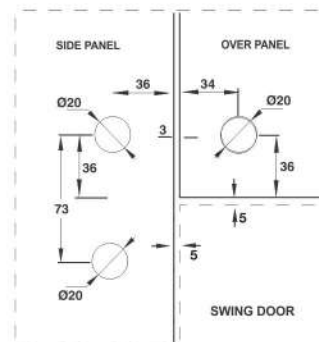
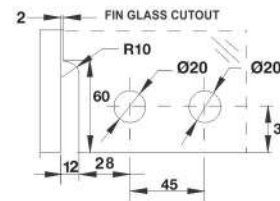
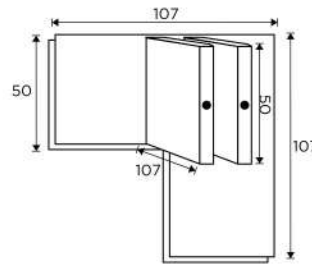
NPF-110

Triple Glass Connector with Fin (Left)

Suitable for fixing over panel & side along with fin to be used at the opening top corner of the door.

Specifications

- Over panel side panel with fin inside
- With stainless steel 304 cover
- High quality tempered precision screws are used to ensure solid gripping
- Stainless steel finish



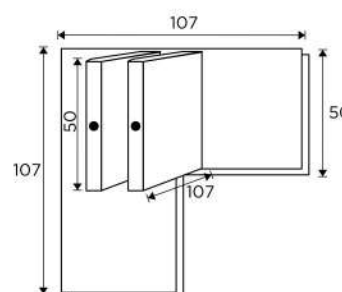
NPF-120

Triple Glass Connector with Fin (Right)

Suitable for fixing over panel & side along with fin to be used at the opening top corner of the door.

Specifications

- Over panel side panel with fin inside
- With stainless steel 304 cover
- High quality tempered precision screws are used to ensure solid gripping
- Stainless steel finish



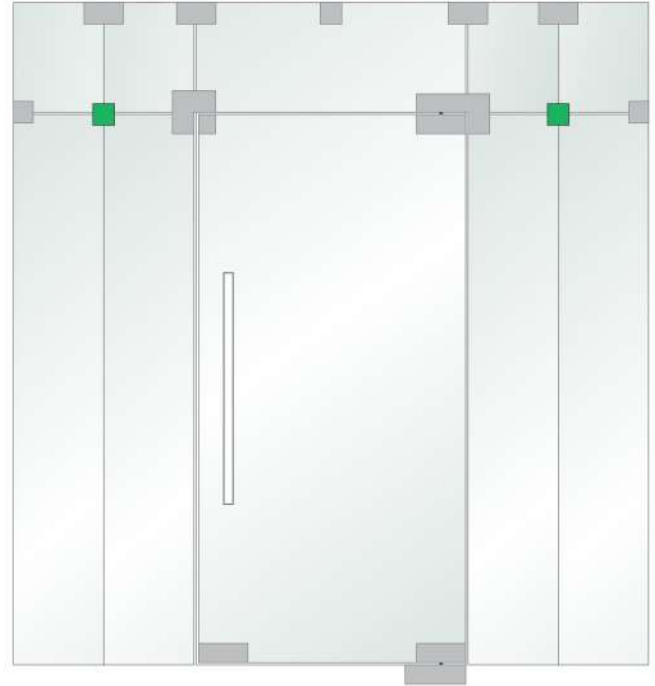
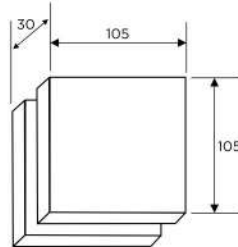
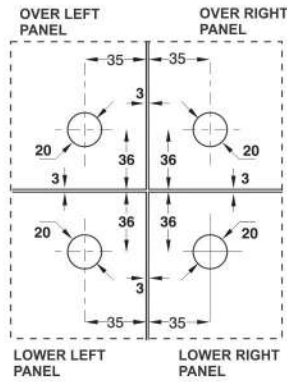


NPF-130

Quadruple Patch

Suitable for fixing maximum four no's of fixed glass
Specifications

- With stainless steel 304 cover
- For fixing maximum upto four glasses
- High quality tempered precision screws are used to ensure solid gripping
- Stainless steel finish

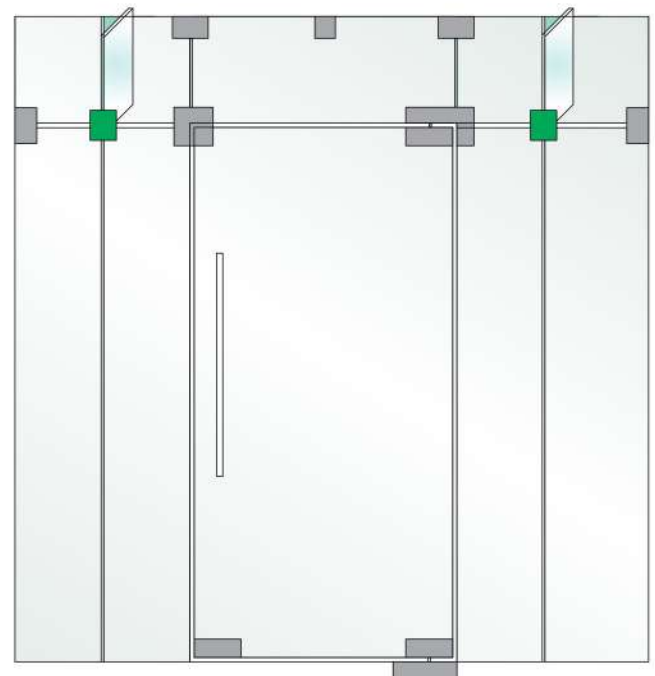
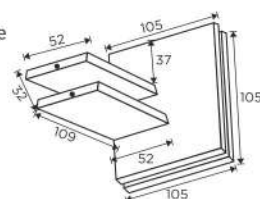
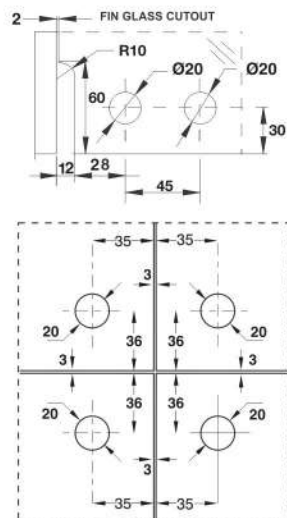


NPF-140

Quadruple Patch with Fin

Suitable for fixing maximum four fixed glasses with fin inside
Specifications

- With stainless steel 304 cover
- For fixing maximum four glasses in line with fin inside
- High quality tempered precision screws are used to ensure solid gripping
- Stainless steel finish



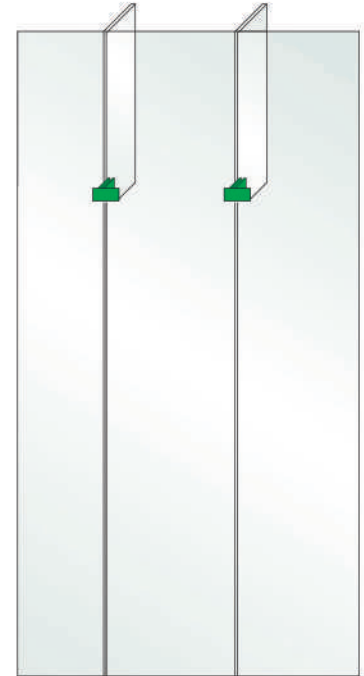
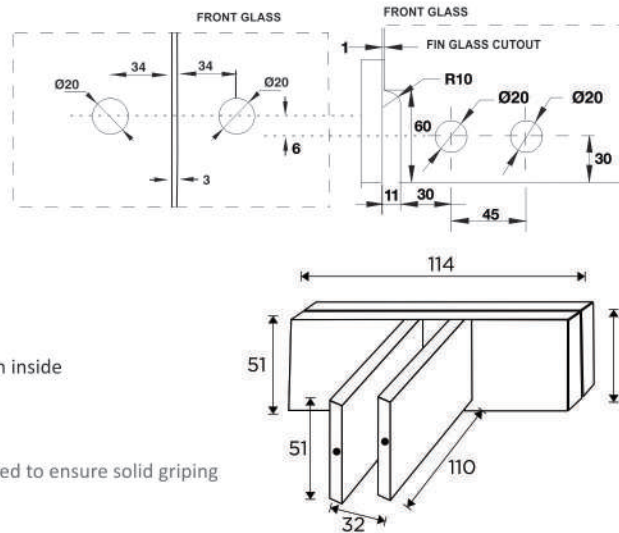
View from outside with Fin on the inside



NPF-150 Connector with Fin

Suitable for fixing two fixed glasses in line with fin inside

- Specifications**
- With stainless steel 304 cover
 - For fixing two glass in line with fin inside
 - High quality tempered precision screws are used to ensure solid gripping
 - Stainless steel finish



View from outside with Fin on the inside

NPF-160

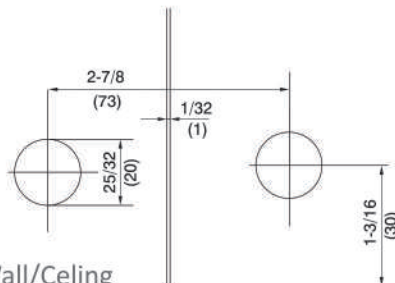
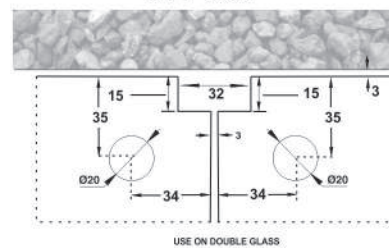


NPF-160/ 160-D

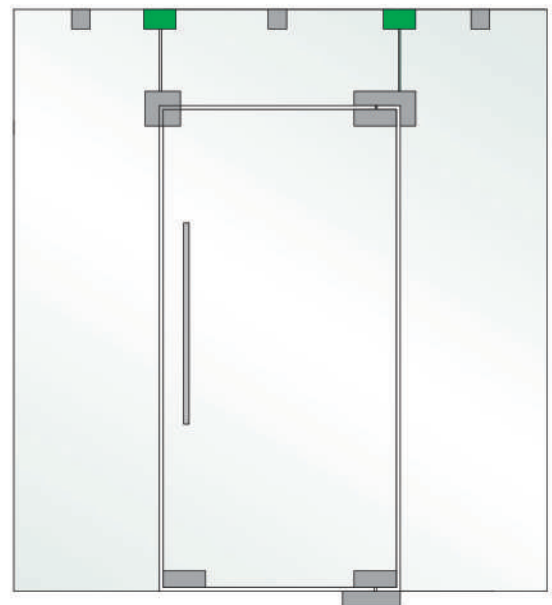
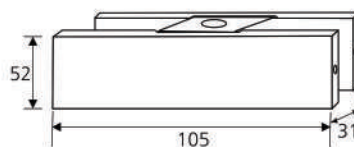
Glass to Glass Connecting Patch with Wall/Ceiling

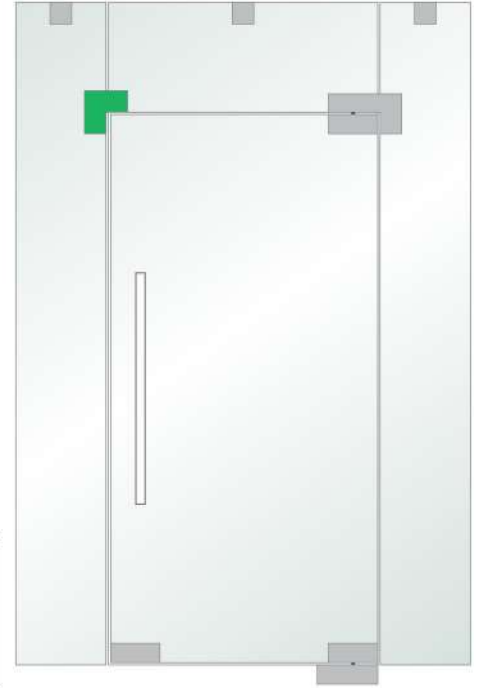
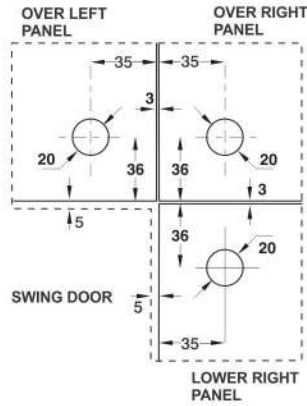
Suitable for fixing two fixed glasses together with ceiling, floor & wall

- Specifications**
- with stainless steel 304 cover
 - high quality tempered precision screws are used to ensure solid gripping
 - stainless steel finish



NPF-160-D





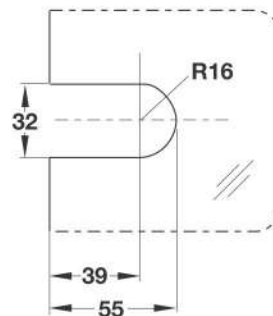
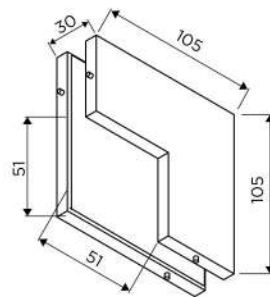
NPF-170

Over Panel Side Panel Patch Connector with Stopper

Suitable for fixing over panel & side panel at the opening top corner of the door also restricts one side opening of the door

Specifications

- With stainless steel 304 cover
- Square look from one side & L shape from another side
- High quality tampered precision screws are used to ensure solid gripping
- Stainless steel finish



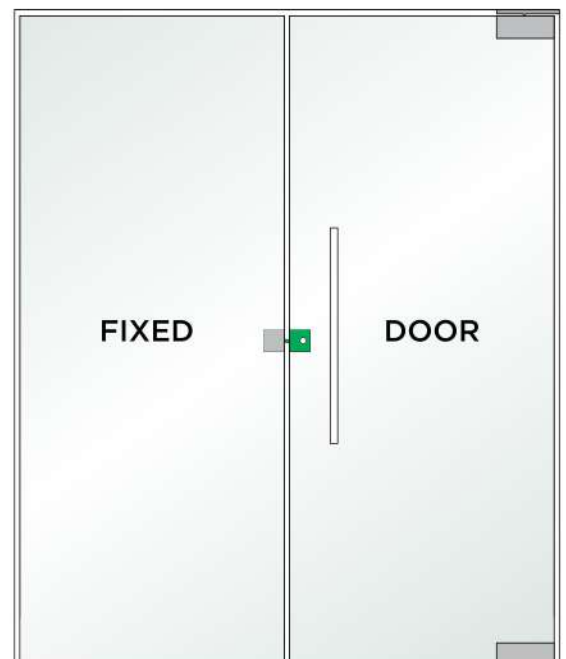
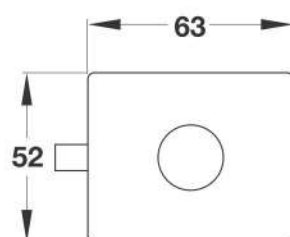
NPF-180

Latch Lock

Suitable to lock swing sliding & sliding doors.

Specifications

- With stainless steel 304 cover
- Can also be use to lock the door from center/top
- Thumb turn lock with single throw
- High quality tampered precision screws are used to ensure solid gripping
- Stainless steel finish



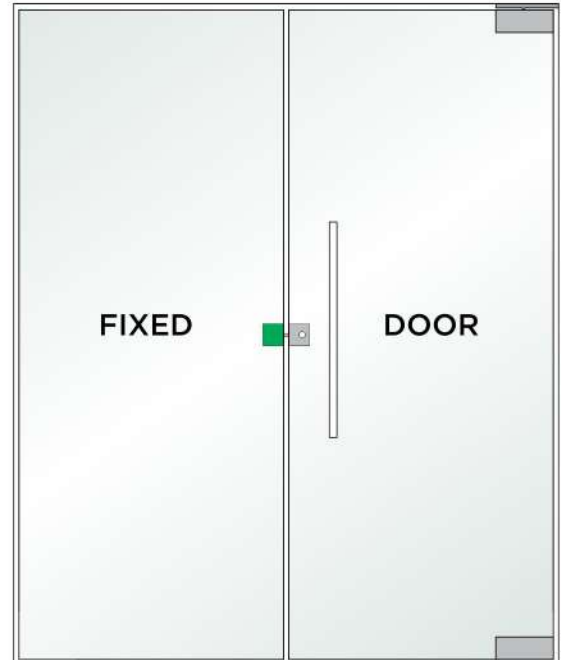
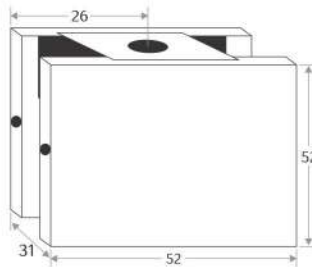
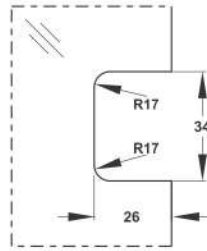


NPF-190

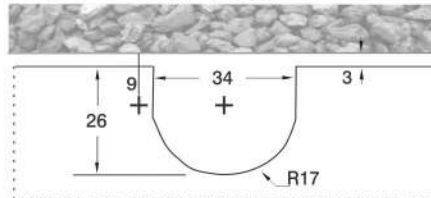
Strike Box for Latch Lock

Suitable as Strike box Swing Sliding Doors
Specifications

- With stainless steel 304 cover
- High quality tampered precision screws are used to ensure solid gripping
- Stainless steel finish



NPF-200



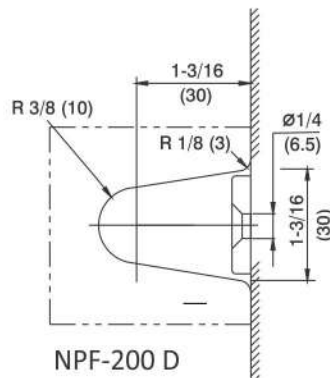
NPF-200/ 200-D

Wall to Glass Connector

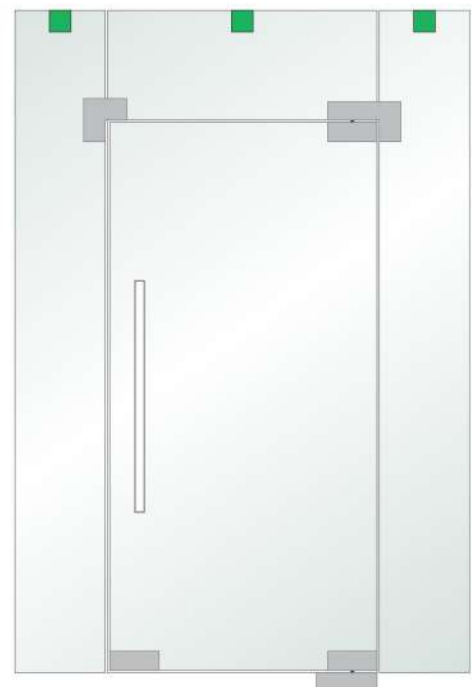
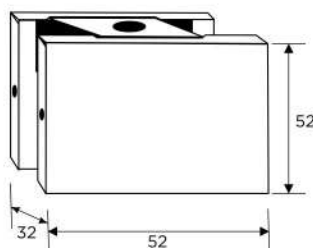
To secure glass with a Fixed structure
(Ceiling, Floor or Wall)

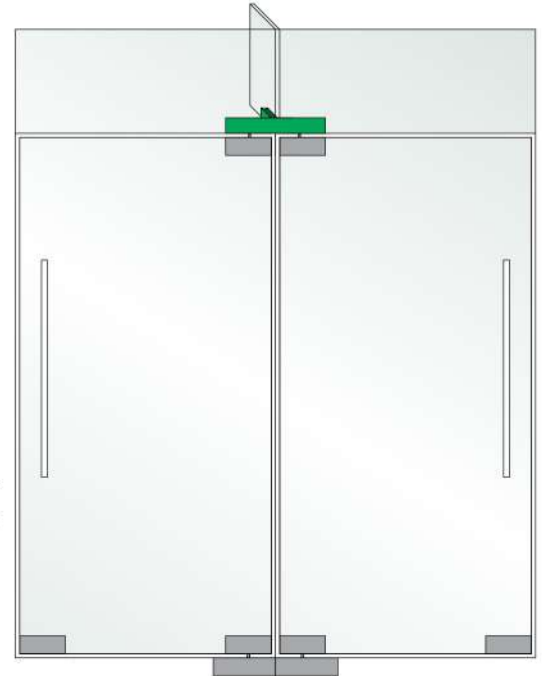
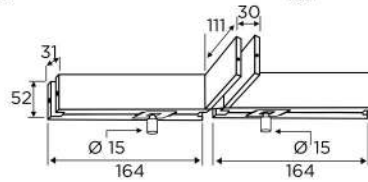
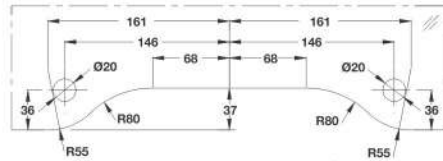
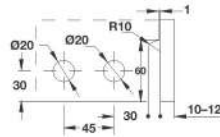
Specifications

- With stainless steel 304 cover
- Cover secured with small 'L' key
- Stainless steel finish



NPF-200 D





View from outside with Fin on the inside

NPF-210

Double Over Panel Patch with Fin

Suitable for back to back doors with pivot along with fin

Specifications

- With stainless steel 304 cover
- Over panel with pivot for back to back doors
- High quality tampered precision screws are used to ensure solid gripping
- Stainless steel finish



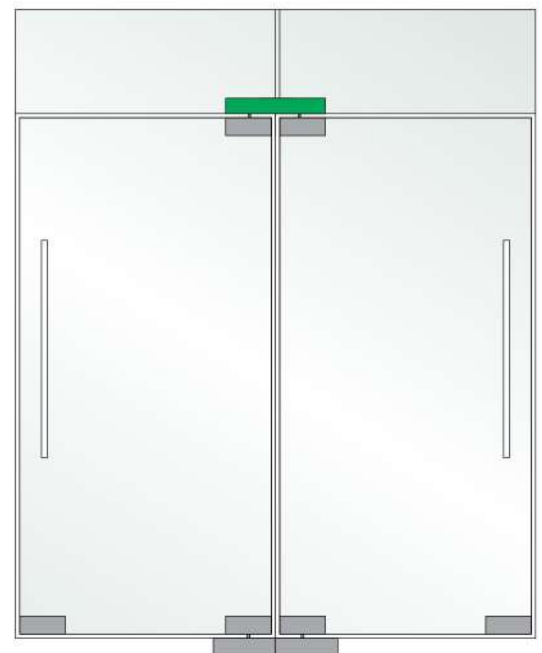
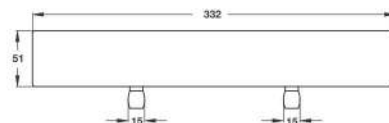
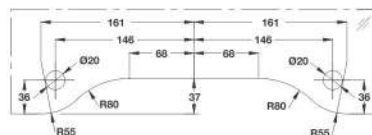
NPF-220

Double Over Panel Patch

Suitable for fixing over panel & side along with fin to be used at the opening top corner of the door.

Specifications

- With stainless steel 304 cover
- L shape from outside with fin inside
- Thumb turn lock with single throw
- High quality tampered precision screws are used to ensure solid gripping
- Stainless steel finish

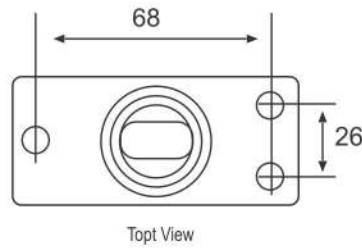




NPF-230 Mini Floor Hinge

Specifications

- With stainless steel 304 cover
- High quality tampered precision screws are used to ensure solid gripping
- Stainless steel finish



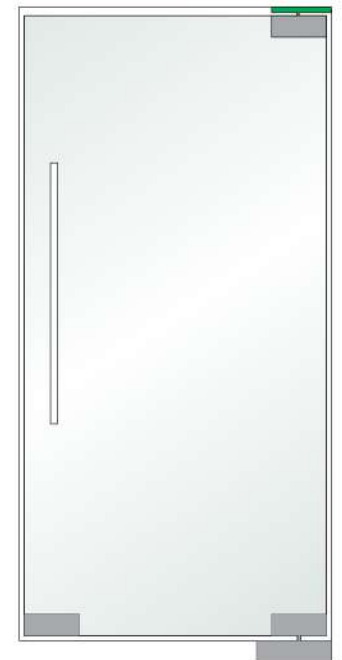
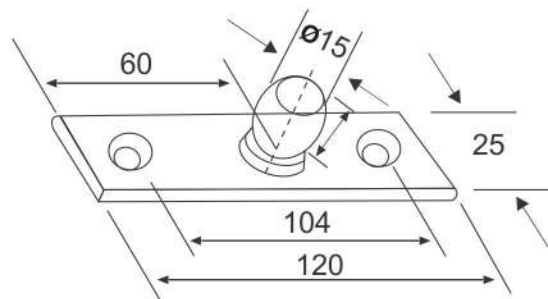
NPF-240 Top Pivot Connector

Top pivot for Patch/Point fitting doors

Specifications

Stainless Steel Pivot

- Wear resistant stainless steel 304 pivot pin
- Top pivot with 15mm dia. pin
- Pivot held in overhead structure
- Stainless steel finish



NPF-250

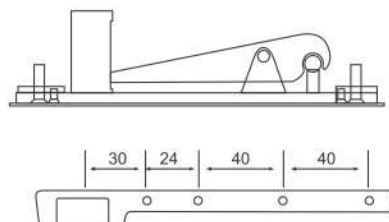
Arm Pivot Set for Wooden & Aluminium Door

Top pivot for Patch/Point fitting doors

Specifications

Stainless Steel Pivot

- Wear resistant stainless steel 304 pivot pin
- Top pivot with 15mm dia. pin
- Pivot held in overhead structure
- Stainless steel finish





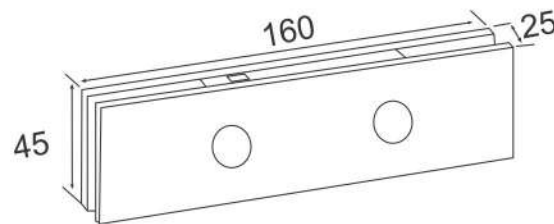
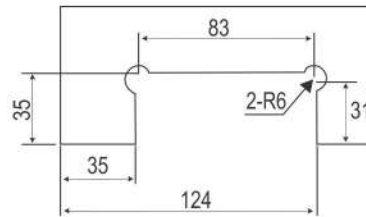
NPF-10 A

Bottom Patch

Secured on to the Bottom of the Door Leaf to accept the Spindle of Nozpak floor springs

Specifications

- With stainless steel 304 cover
- Cover secured with small 'L' key
- Adjustable pivot point 55/65 mm
- Polish stainless steel / Stainless steel finish



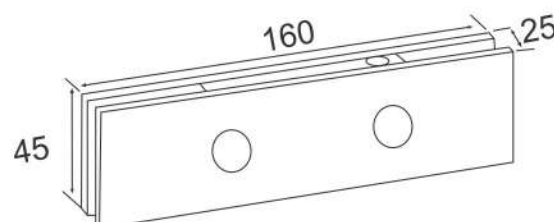
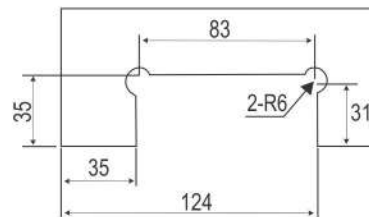
NPF-20 A

Top Patch

Secured on to the Door Lead Top to accept the Pivot of NPF-50A, 60A or NPF-260A

Specifications

- With stainless steel 304 cover
- Cover secured with small 'L' key
- Adjustable pivot point 55/65 mm
- Polish stainless steel / Stainless steel finish





NPF-30 A

Over panel and Side panel connector

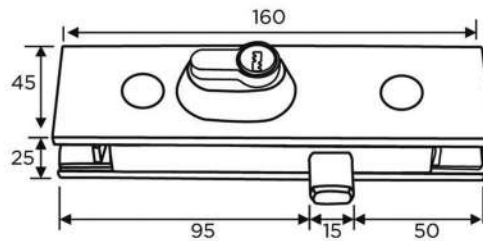
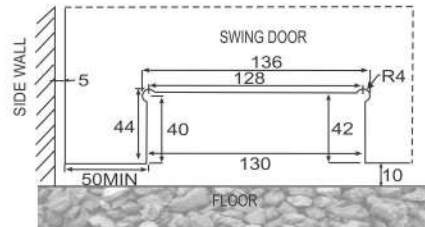
To Lock swing door on Floor/Ceiling

Specifications

With a euro profile cylinder & strike plate

Dead bolt projection of 15mm (single throw)

- Three high security computer keys
- With stainless steel 304 cover
- Cover secured with small 'L' key
- Polish stainless steel / Stainless steel finish



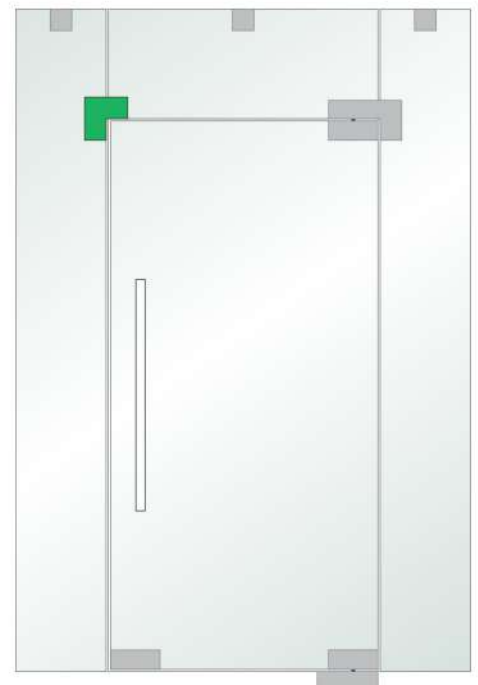
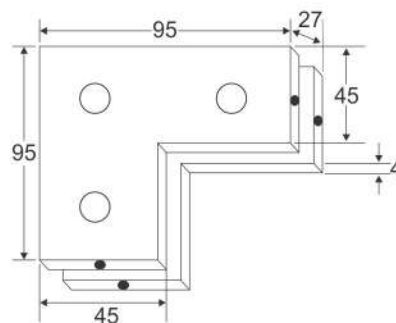
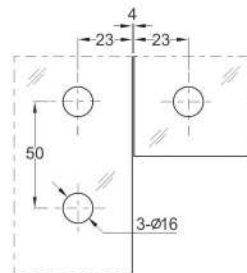
NPF-40 A

Over panel and Side panel connector

Patch to secure the Over panel and Side panel at the opening edge of the door

Specifications

- With stainless steel 304 cover
- Cover secured with small 'L' key
- Polish stainless steel / Stainless steel finish



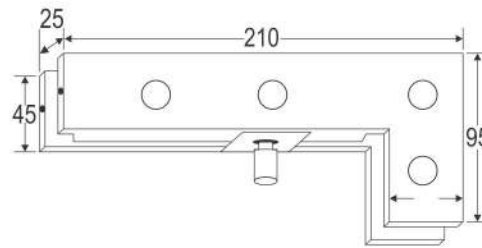
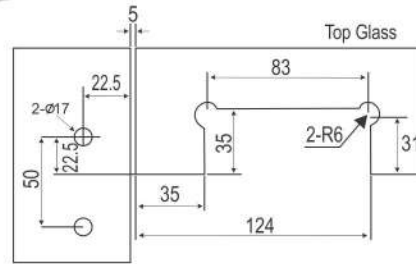


NPF-50 A

Over Panel Side Panel Connecting Patch

Connector over panel and side panel with pivot
Specifications

- With stainless steel 304 cover
- Cover secured with small 'L' key
- Pivot pin of 15mm diameter
- Adjustable pivot point 55/65 mm
- Polish stainless steel / Stainless steel finish

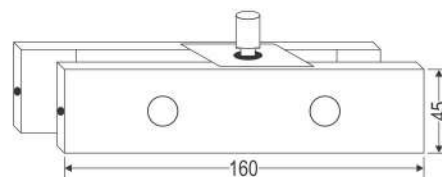
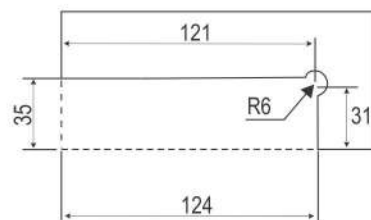


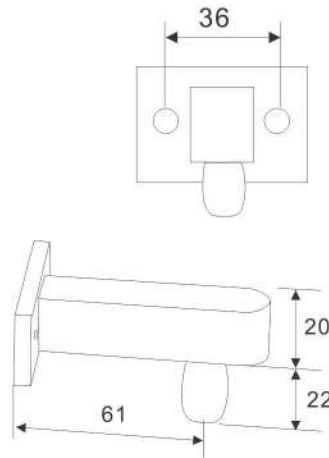
NPF-60 A

Over Panel Patch

Over panel with pivot
Specifications

- With stainless steel 304 cover
- Cover secured with small 'L' key
- Adjustable pivot point 55/65 mm
- Polish stainless steel / Stainless steel finish



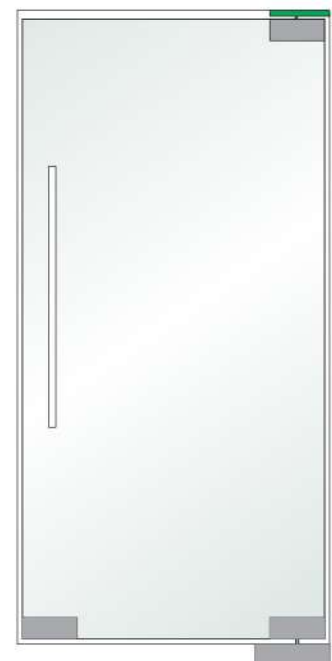
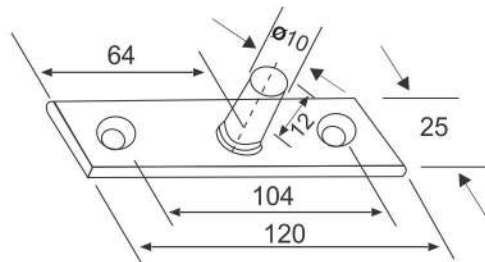


NPF-260A

Top Pivot Connector with Wall Plate

Specifications

- With stainless steel 304 cover
- High quality tampered precision screws are used to ensure solid gripping
- Polish stainless steel / Stainless steel finish



NPF-270A

Top Pivot Connector

Top pivot for Patch/Point fitting doors

Specifications

Stainless Steel Pivot

- Wear resistant stainless steel 304 pivot pin
- Top pivot with 15mm dia. pin
- Pivot held in overhead structure
- Stainless steel finish

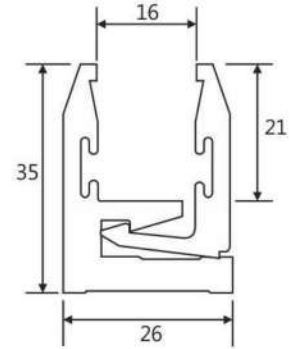


NGP-1

Inter Locking Glazing Profile

Specifications

- For 8 to 12 mm Glass
- Material : Aluminium
- Size : 3000 mm
- Finish : Brush Steel (SS)
Aluminium (ALU)



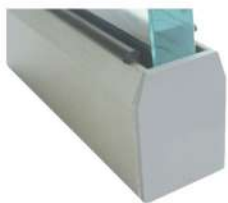
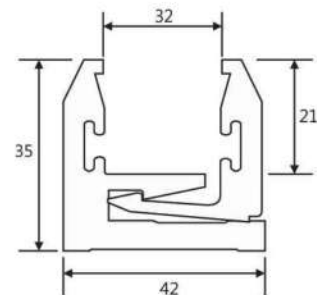
NGP-2

Inter Locking Glazing Profile

(For Insulated & Laminated Glass) for 25mm

Specifications

- For 22 to 26 mm Glass
- Material : Aluminium
- Size : 3000 mm
- Finish : Brush Steel (SS)
Aluminium (ALU)



NGP-3

Endcap for Inter Locking Glazing Profile

Specifications

- Endcap for Inter Locking Glazing Profile NGP-1
- Material : PVC
- Finish : Grey



NGP-4

Endcap for Inter Locking Glazing Profile

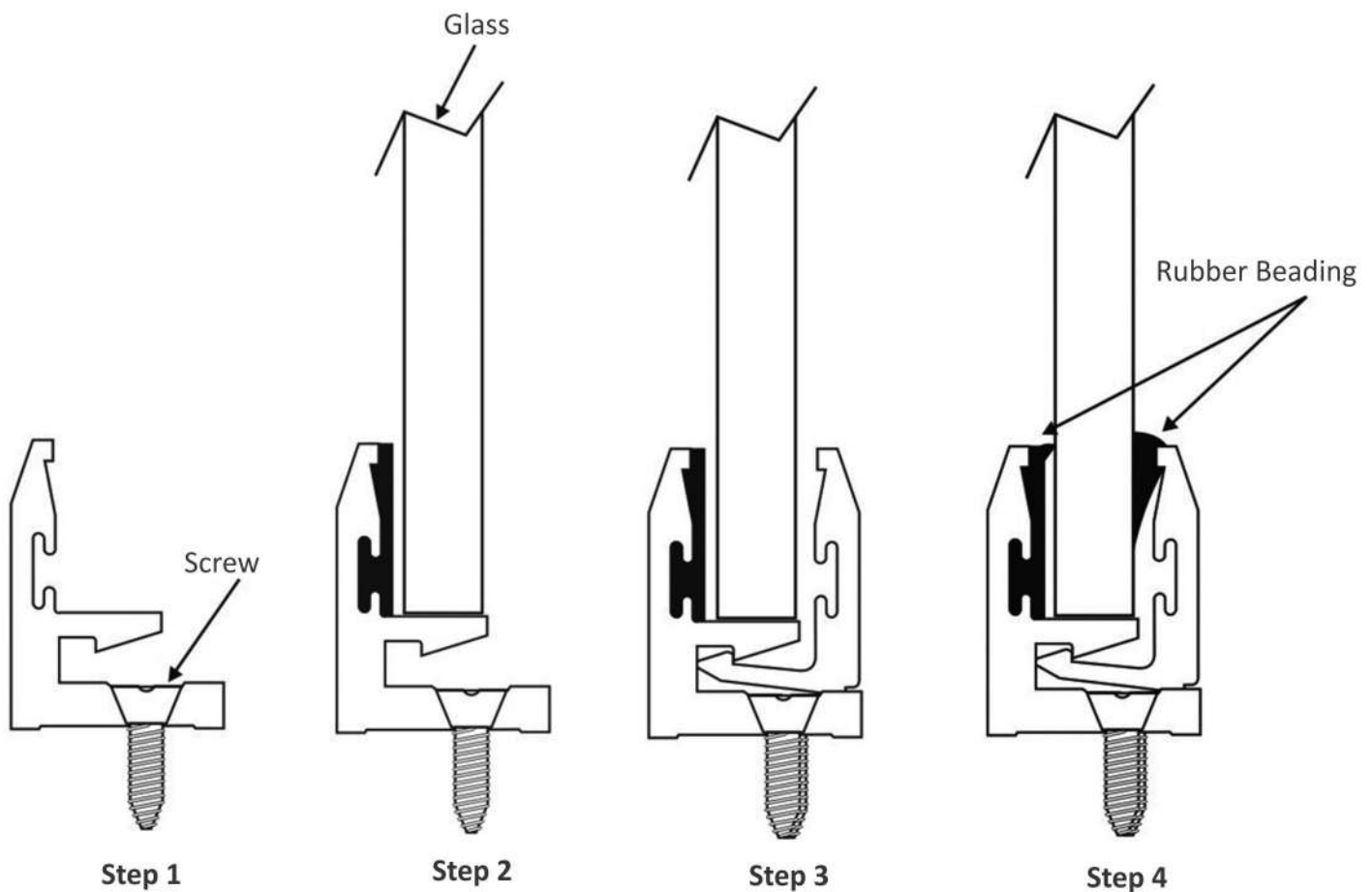
Specifications

- Endcap for Inter Locking Glazing Profile NGP-2
- Material : PVC
- Finish : Grey

- Interior Glass Partitions.
- Interior Office Partitions with multitude of panel Inserts, Glass, MDF, Lamination, Plywood, Gypsum etc.
- Shop Fronts with maximum visibility and security.
- Fixed Windows.

Advantages:

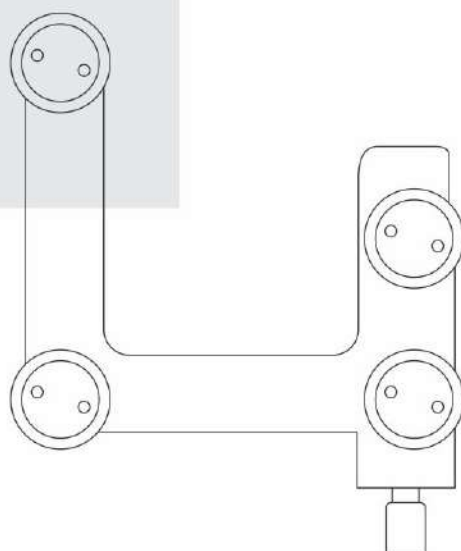
- Simple & faster fabrication and glass installation. ideal for 8, 10 or 12 mm glass thickness.
- Superior holding power to structure and for glass.
- No shifting or falling out of position. Maintenance free mechanism.
- Easy installation & remounting as no glue or silicon required.
- Easier glass replacement.
- Cost effective, time & labour saving by easy installation & faster completion of projects.
- Slim & attractive design, low visual impact, space saving.
- Deep cavity in profile and uniform grip all along the 8 edges of glass provides outstanding structural stability.
- Exterior removal of gasket / glass made impossible due to contoured epdm gasket held under pressure.
- Better shock absorption.



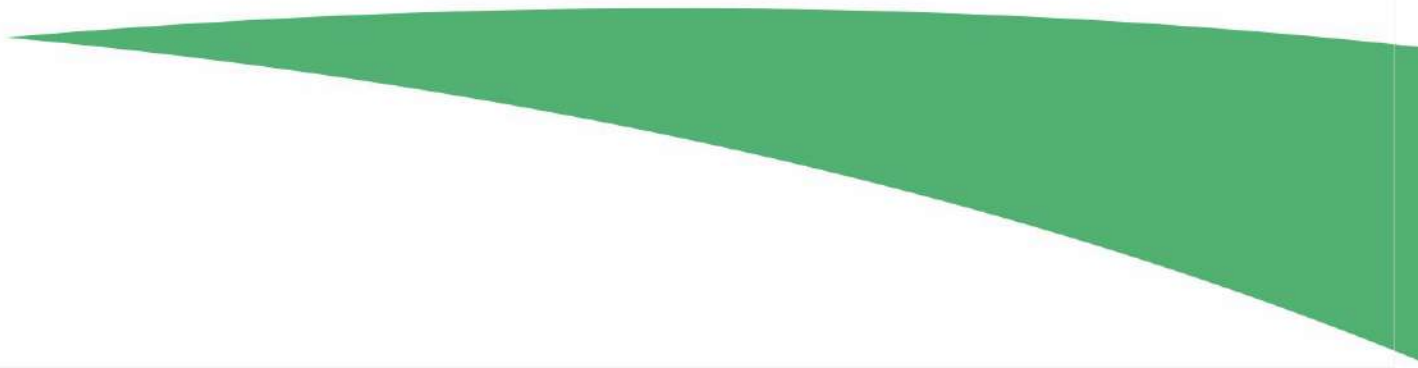
Installation Chart of Inter Locking Glazing Profile



NOZDAK Point Fixed Patch Fittings, Adopts 304 stainless steel precision casting technology We offer countersunk and flat bracket styles, The adjustable functions makes the installation more convenient Available glass thickness is 10~19mm, to satisfy insulated and laminated glass The standard angle which is between floor hinge is 14°, Please markout if 6°.

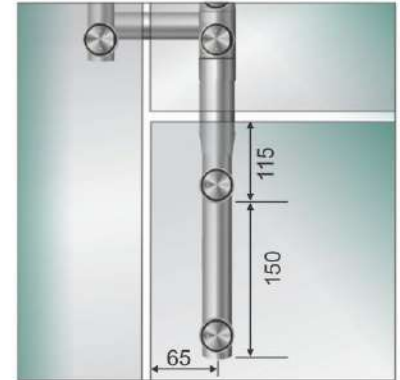
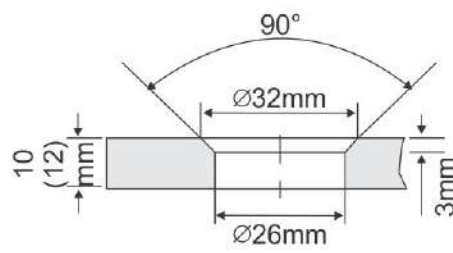
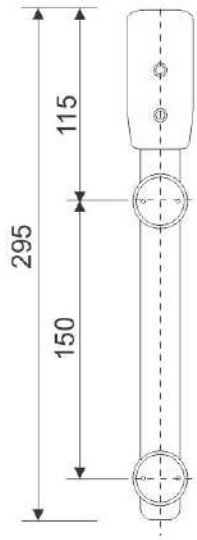


Point Fixed Patch Fittings





Point Fixed Patch Fittings

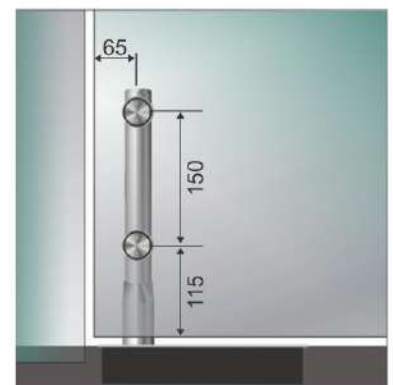
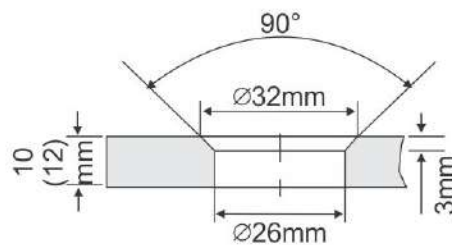
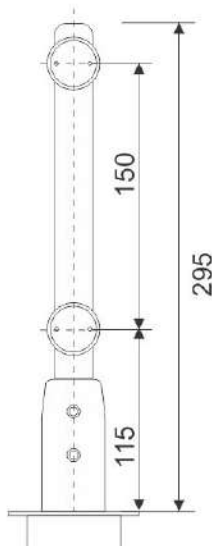


NPPF-2

Pivot Pole with Single Point Fixing and Pivot Bearing for Top Mounting

Specifications

- Glass thickness: 10mm to 12mm
- Stainless steel finish



NPPF-3

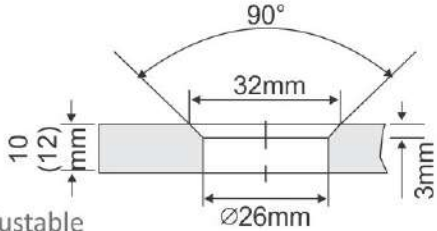
Pivot Pole with Single Point Fixing and Pivot Bearing for Floor Mounting

Specifications

- Glass thickness: 10mm to 12mm
- Stainless steel finish



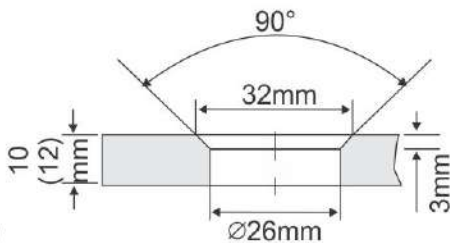
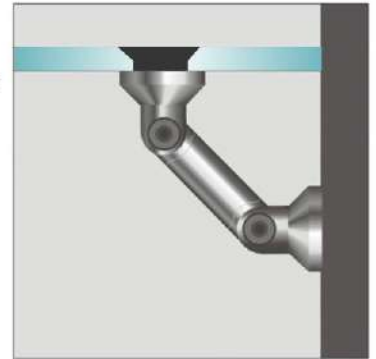
Point Fixed Glass Connectors



NPC-1
Wall to Glass Adjustable

Suitable for holding glass with wall/fix structure
Available Finish
Satin Stainless Steel

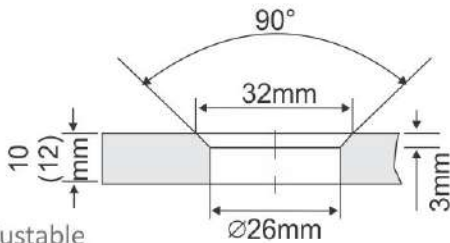
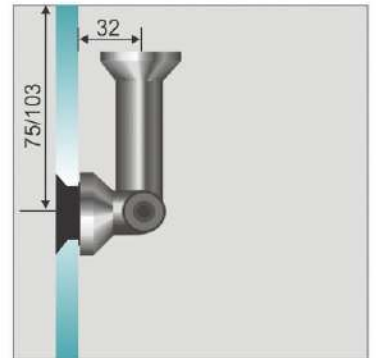
- Specifications**
Wall to Glass (Adjustable)
- Adjustable + 2.5mm
 - Stainless steel 304
 - Options : Glass to Glass - 52.5
Glass to Glass - 60.0
Glass to Glass - 82.0



NPC-2
Wall to Glass (Fix)

Suitable for holding glass with floor/ceiling
Available Finish
Satin Stainless Steel

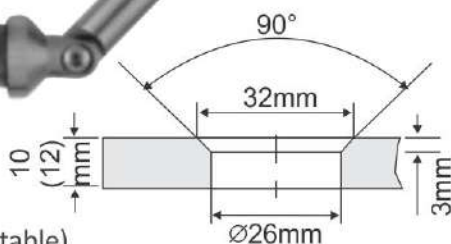
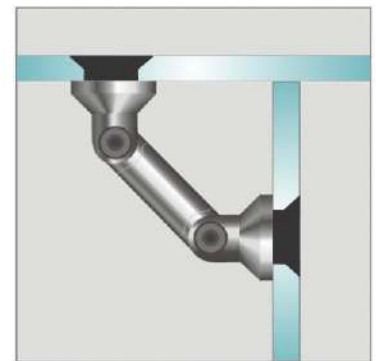
- Specifications**
Wall to Glass (Fix)
- Adjustable + 2.5mm
 - Stainless steel 304
 - Options : Glass to Glass - 75.0
Glass to Glass - 103.0



NPC-3
Glass to Glass Adjustable

Suitable for holding glass with glass
Available Finish
Satin Stainless Steel

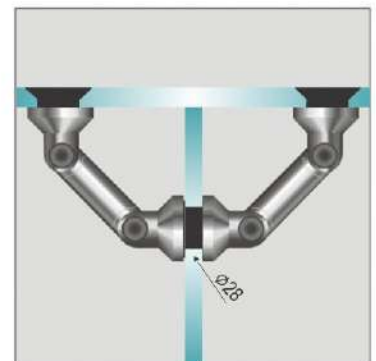
- Specifications**
Glass to Glass (Adjustable)
- Adjustable + 2.5mm
 - Stainless steel 304
 - Options : Glass to Glass - 52.5
Glass to Glass - 82.0
Glass to Glass - 103.0



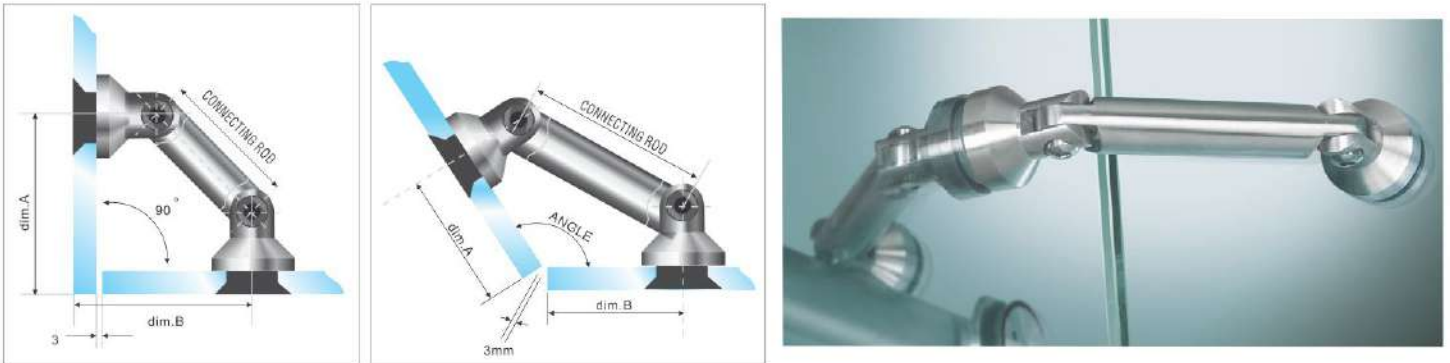
NPC-4
Glass to Glass (Adjustable)

Suitable for holding 3 glass together
Available Finish
Satin Stainless Steel

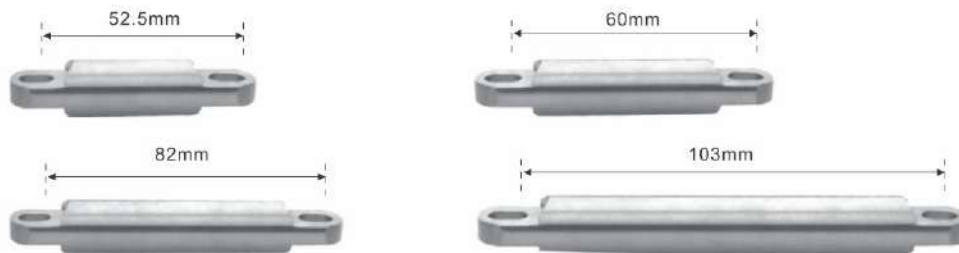
- Specifications**
Glass to Glass (Adjustable with Fin)
- Adjustable + 2.5mm
 - Stainless steel 304
 - Options : Glass to Glass - 52.5
Glass to Glass - 60.0
Glass to Glass - 82.0
Glass to Glass - 103.0



Planview



Connecting Rod

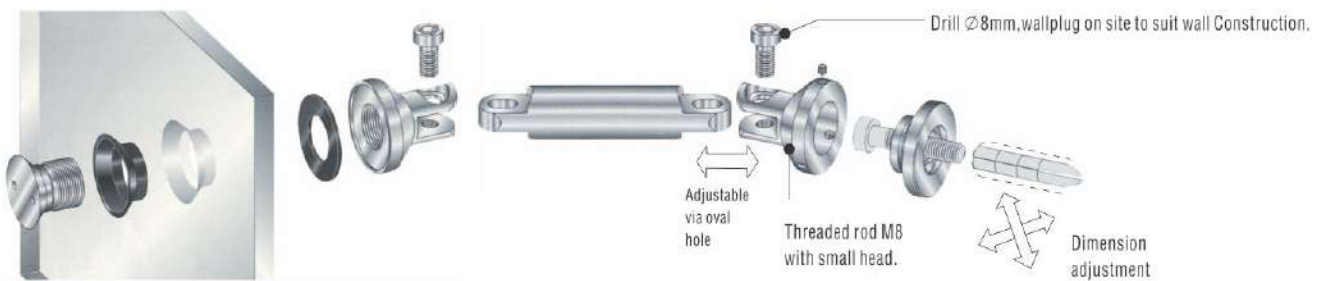


Two Kinds Connecting for Glass Hole



Use: two kinds options of glasses connection, mainly for clamping glasses

Components and Assembly of the Wall Fixing



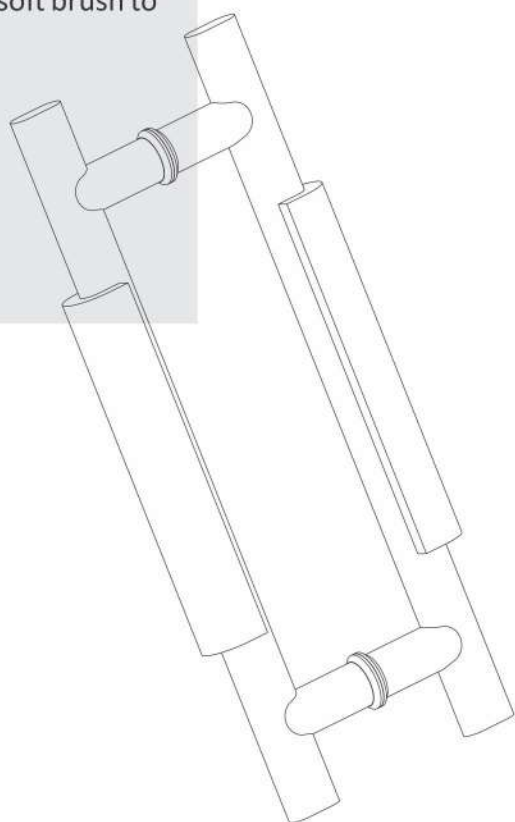
For glass/ glass corner connectors for 10mm and 12mm thick toughened glass.



NOZDAK Glass Door Handles series can be installed on glass doors, wooden doors, and doors with frames. Handles accessories are made with stainless steel, holes drilled in glass are recommended to be the 12-15mm diameter.

Please install handle hen for decoration work.

Clean the handle at least once a week, and remove dirt with the soft brush to prevent scratches.



Door Handles





NGH-101

Glass Door Handle

Available Finish

Satin Stainless Steel
Combi

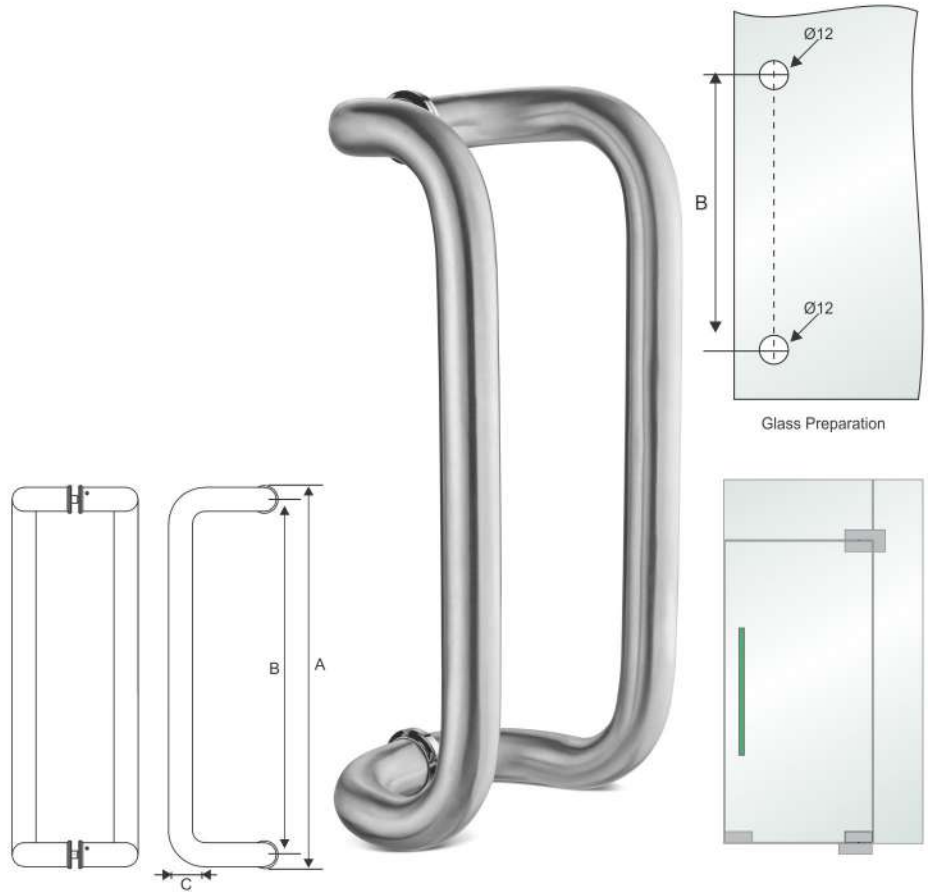
Material

Stainless Steel 304

**All Sizes in
MM**

- For back to back installation
- With gasket to prevent glass from damage

Length (A)	C to C (B)	Dia (C)
300	200	22
350	250	22
400	300	22



NGH-102

H-Type Glass Door Handle

Available Finish

Satin Stainless Steel / Combi

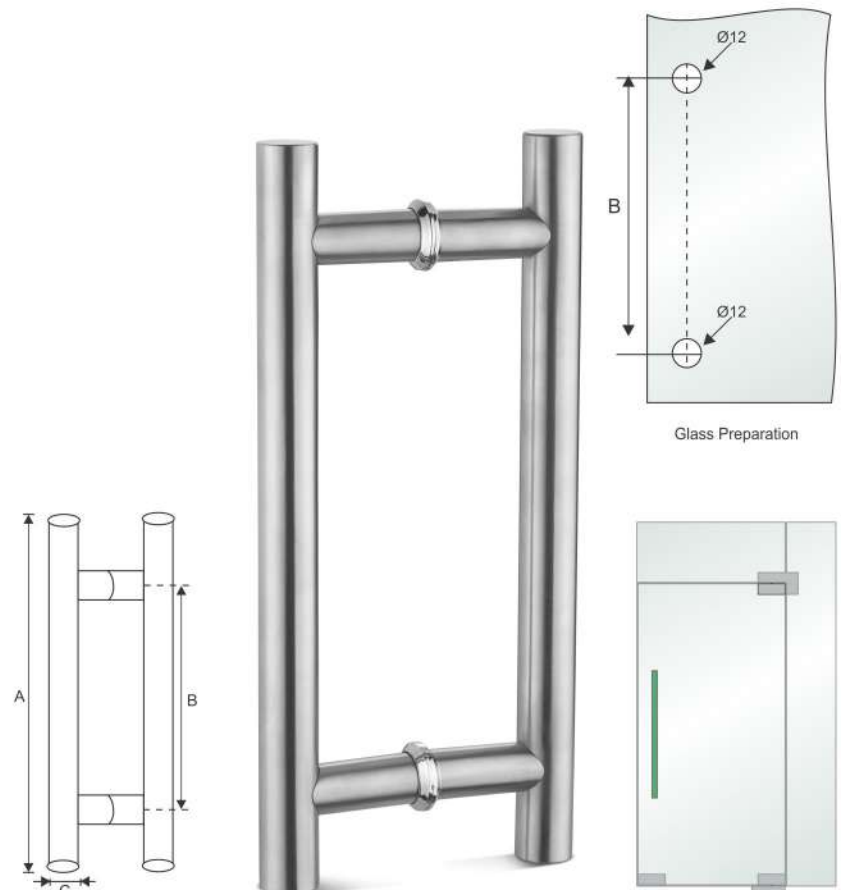
Material

Stainless Steel 304

**All Sizes in
MM**

- For back to back installation
- With gasket to prevent glass from damage

Length (A)	C to C (B)	Dia (C)
300	200	22
350	250	22
400	300	22
500	350	22
550	400	22
600	450	22
400	300	25
500	350	25
550	400	25
600	450	25
650	500	25
700	550	25
750	600	25



NGH-103

D-Type Glass Door Handle

Available Finish

- Satin Stainless Steel
- Combi

Material

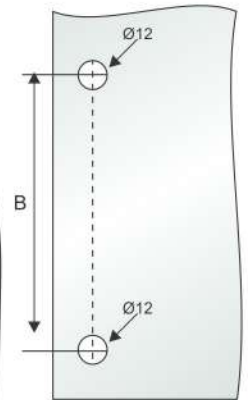
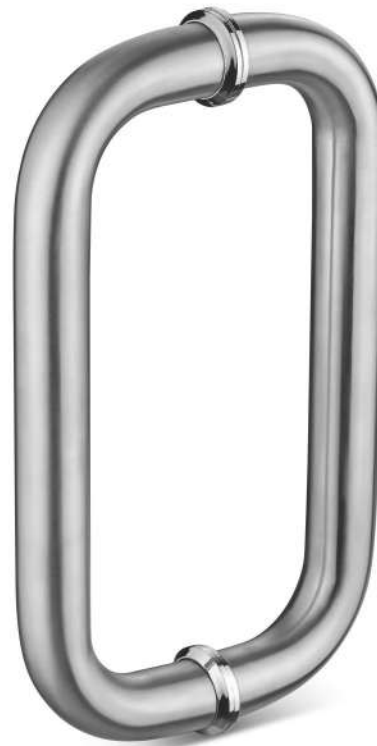
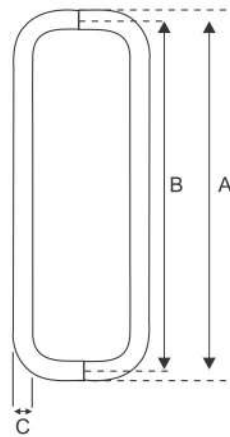
Stainless Steel 304

All Sizes in

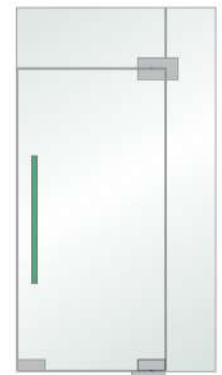
MM

- For back to back installation
- With gasket to prevent glass from damage

Length (A)	C to C (B)	Dia (C)
300	200	22
350	250	22
400	300	22
500	350	22
550	400	22
600	450	22
400	300	25
500	350	25
550	400	25
600	450	25
650	500	25
700	550	25
750	600	25



Glass Preparation



NGH-104

S-Type Glass Door Handle

Available Finish

- Satin Stainless Steel
- Combi

Material

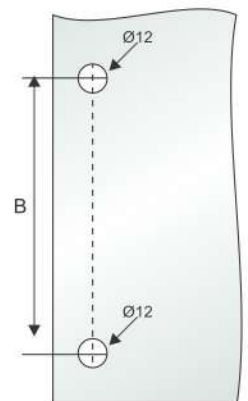
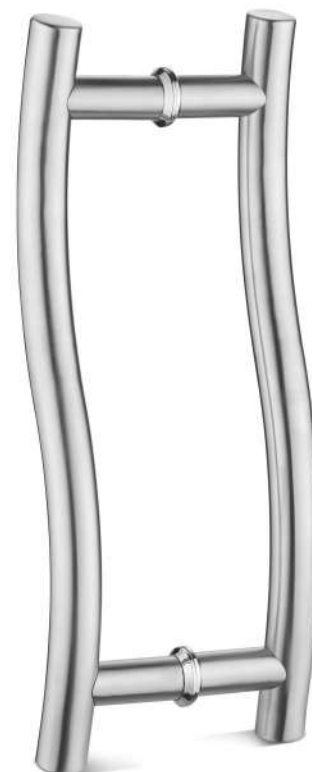
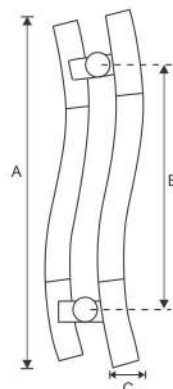
Stainless Steel 304

All Sizes in

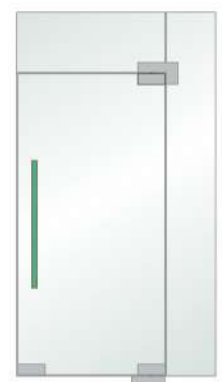
MM

- For back to back installation
- With gasket to prevent glass from damage

Length (A)	C to C (B)	Dia (C)
300	200	22
350	250	22
400	300	22



Glass Preparation



NGH-105

G-Type Glass Door Handle

Available Finish

Satin Stainless Steel
Combi

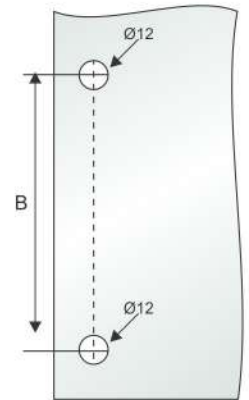
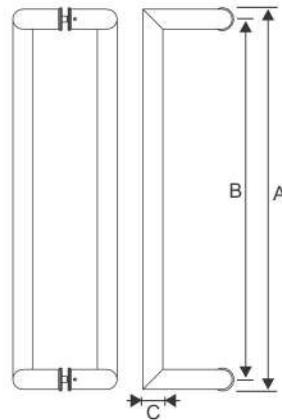
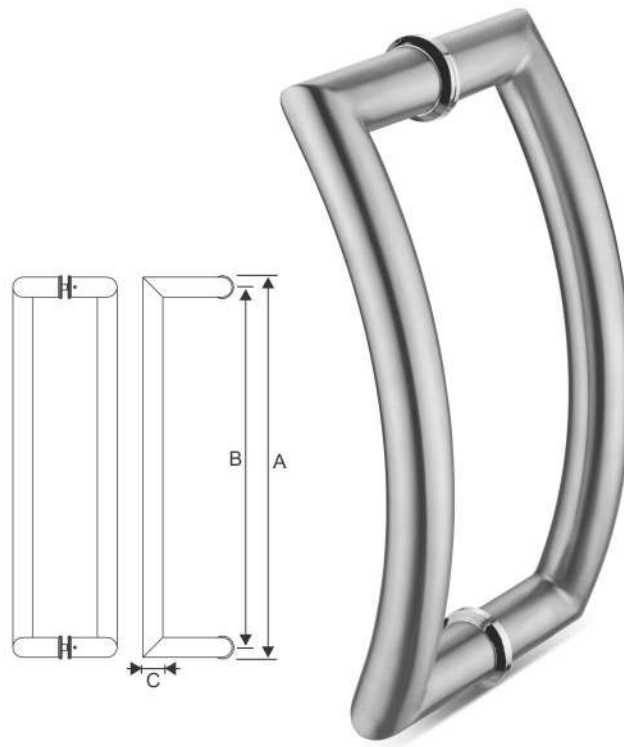
Material

Stainless Steel 304

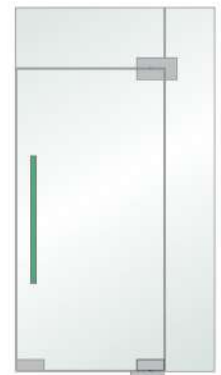
**All Sizes in
MM**

- For back to back installation
- With gasket to prevent glass from damage

Length (A)	C to C (B)	Dia (C)
300	200	22
350	250	22
400	300	22



Glass Preparation



NGH-106

Glass Door Handle

Available Finish

Satin Stainless Steel
Combi

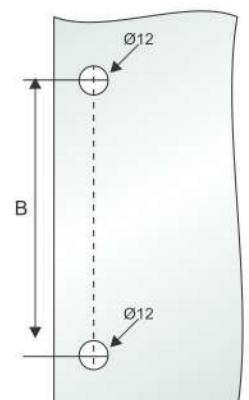
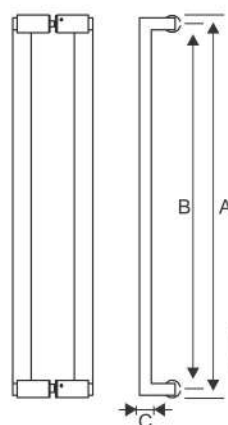
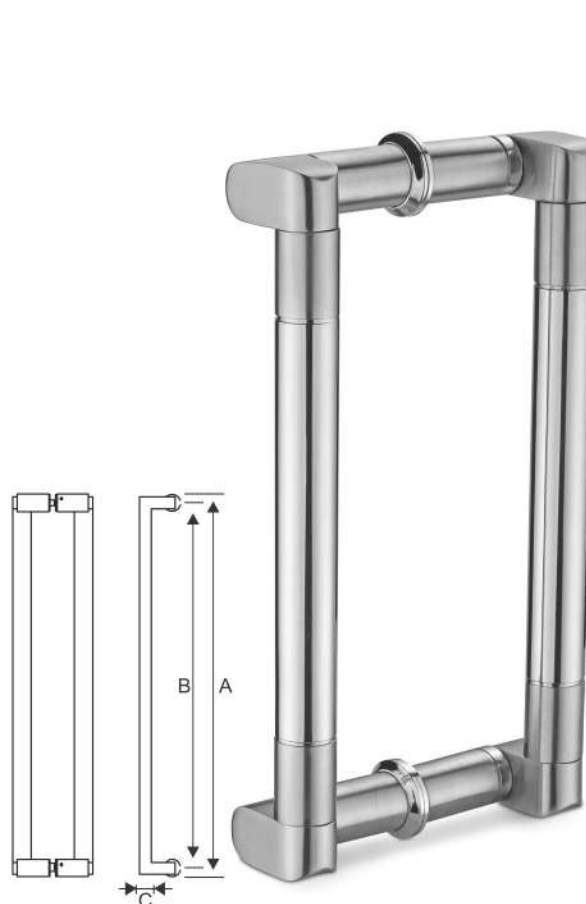
Material

Stainless Steel 304

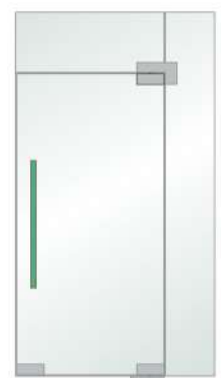
**All Sizes in
MM**

- For back to back installation
- With gasket to prevent glass from damage

Length (A)	C to C (B)	Dia (C)
300	200	19
350	250	19
400	300	19



Glass Preparation



NGH-107

Glass Door Handle Square

Available Finish

- Satin Stainless Steel
- Combi

Material

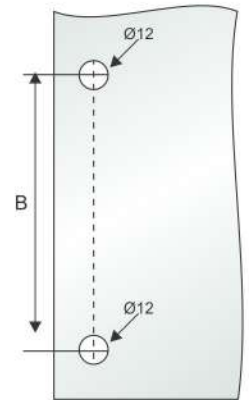
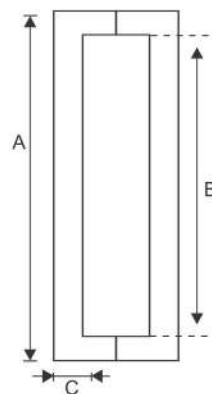
Stainless Steel 304

All Sizes in

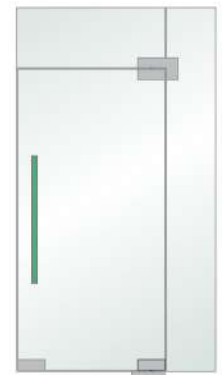
MM

- For back to back installation
- With gasket to prevent glass from damage

Length (A)	C to C (B)	Dia (C)
400	300	25
500	350	25
550	400	25
600	450	25
650	500	25
700	550	25
750	600	25



Glass Preparation



NGH-108

Glass Door Handle

Available Finish

- Satin Stainless Steel
- Combi

Material

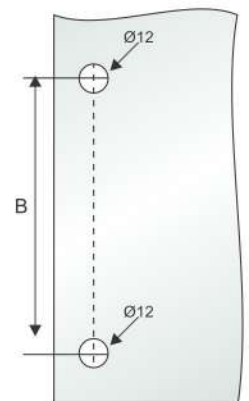
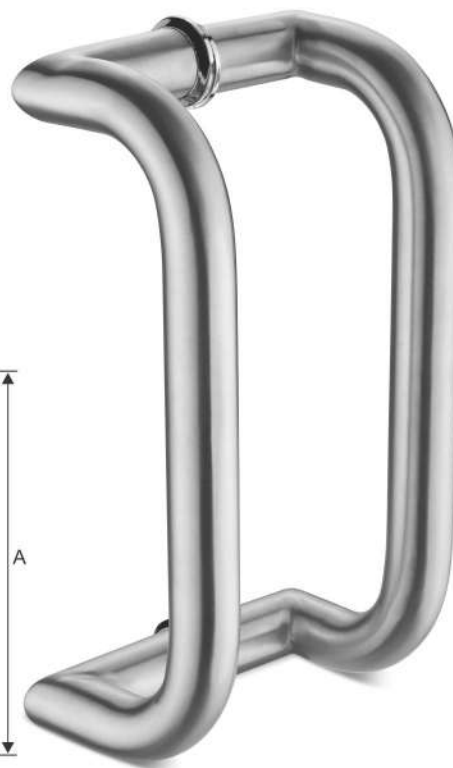
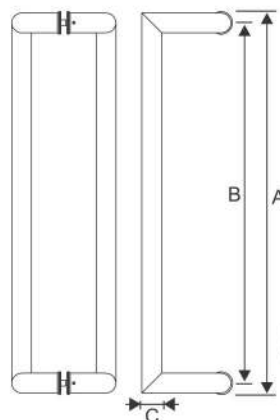
Stainless Steel 304

All Sizes in

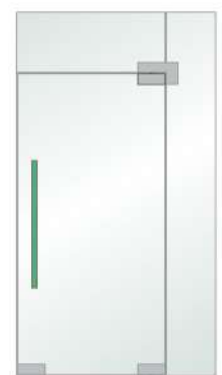
MM

- For back to back installation
- With gasket to prevent glass from damage

Length (A)	C to C (B)	Dia (C)
300	200	22
350	250	22
400	300	22



Glass Preparation



NGH-109

Glass Door Handle

Available Finish

- Satin Stainless Steel
- Combi

Material

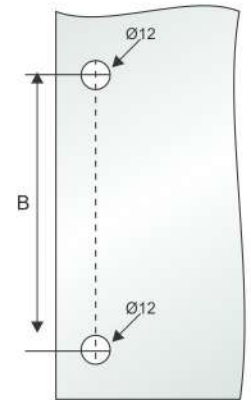
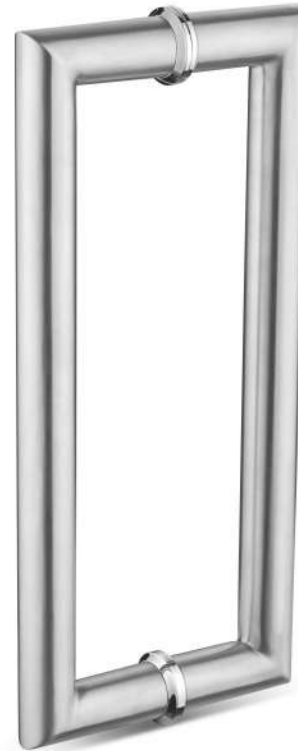
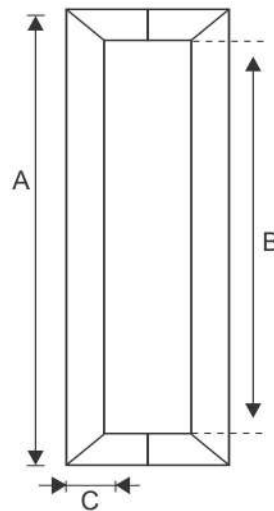
Stainless Steel 304

All Sizes in

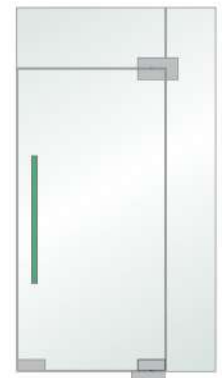
MM

- For back to back installation
- With gasket to prevent glass from damage

Length (A)	C to C (B)	Dia (C)
300	200	22
350	250	22
400	300	25
500	350	25
550	400	25
600	450	25
650	500	25
700	550	25
750	600	25



Glass Preparation



NGH-110

H-Type Glass Door Handle Square

Available Finish

- Satin Stainless Steel
- Combi

Material

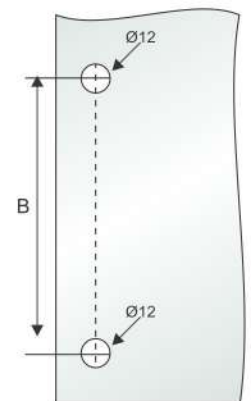
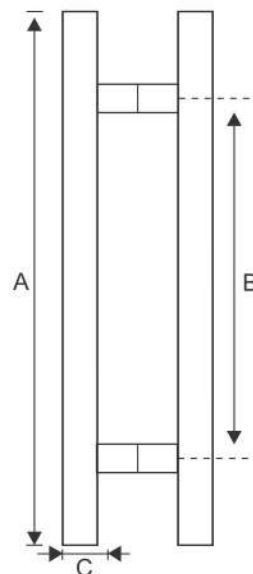
Stainless Steel 304

All Sizes in

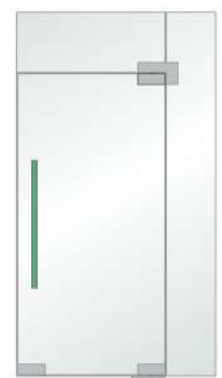
MM

- For back to back installation
- With gasket to prevent glass from damage

Length (A)	C to C (B)	Dia (C)
400	300	25
500	350	25
550	400	25
600	450	25
650	500	25
700	550	25
750	600	25



Glass Preparation



NGH-111

Glass Door Handle Square

Available Finish

- Satin Stainless Steel
- Combi

Material

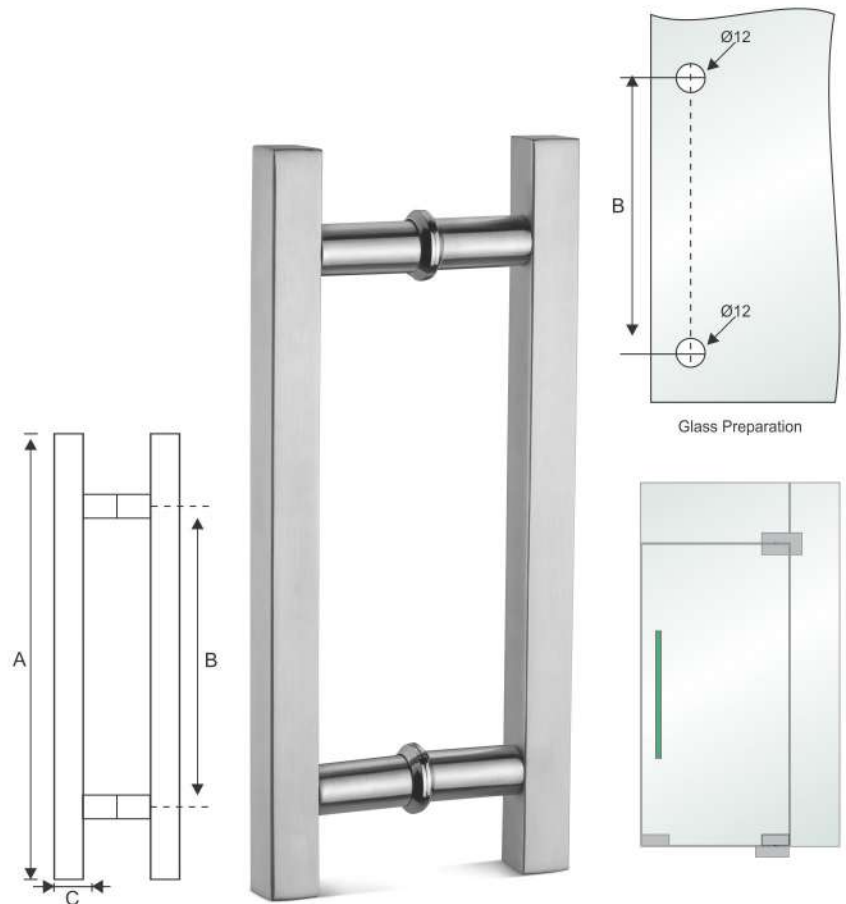
Stainless Steel 304

All Sizes in

MM

- For back to back installation
- With gasket to prevent glass from damage

Length (A)	C to C (B)	Dia (C)
400	300	25
500	350	25
550	400	25
600	450	25
650	500	25
700	550	25
750	600	25



NGH-112

Glass Door Handle

Available Finish

- Satin Stainless Steel
- Combi

Material

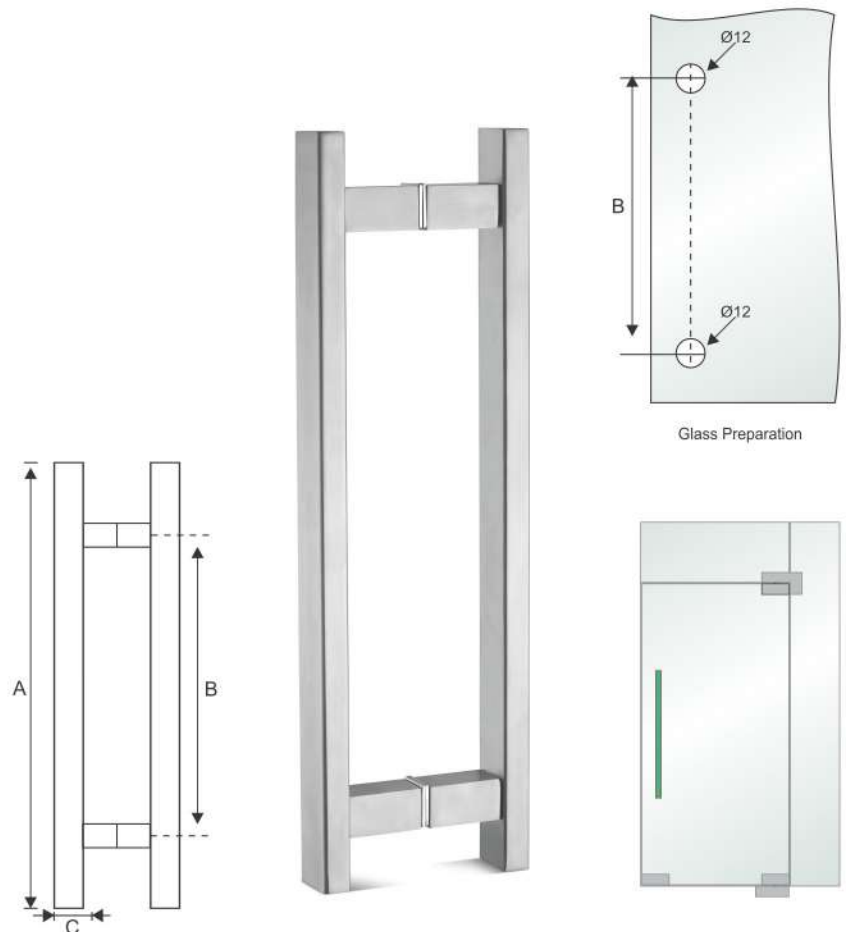
Stainless Steel 304

All Sizes in

MM

- For back to back installation
- With gasket to prevent glass from damage

Length (A)	C to C (B)	Dia (C)
400	300	15/30
500	350	15/30
550	400	15/30
600	450	15/30
650	500	15/30
700	550	15/30
750	600	15/30



NGH-113

Glass Door Handle

Available Finish

- Satin Stainless Steel
- Combi

Material

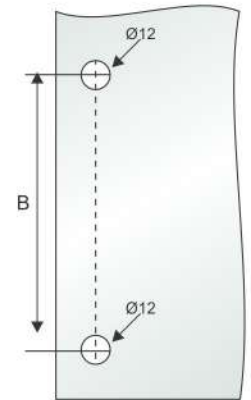
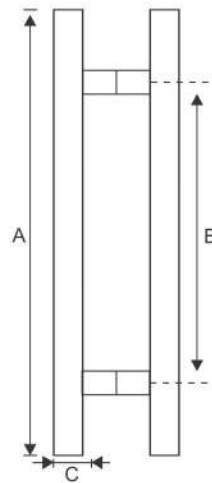
Stainless Steel 304

All Sizes in

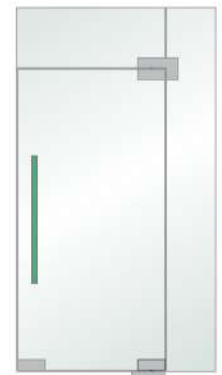
MM

- For back to back installation
- With gasket to prevent glass from damage

Length (A)	C to C (B)	Dia (C)
400	300	25
500	350	25
550	400	25
600	450	25
650	500	25
700	550	25
750	600	25



Glass Preparation



NGH-114

H-Type Glass Door Handle Adjustable

Available Finish

- Satin Stainless Steel
- Combi

Material

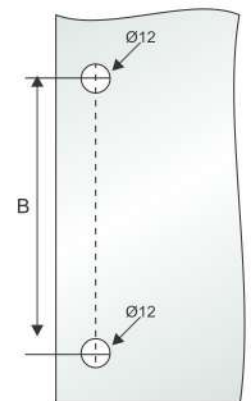
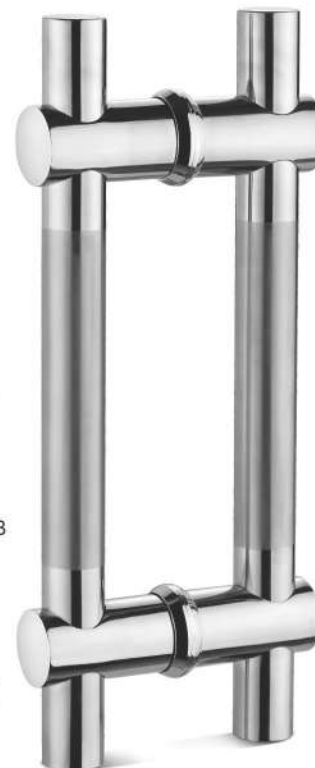
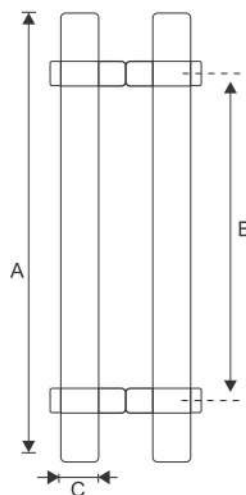
Stainless Steel 304

All Sizes in

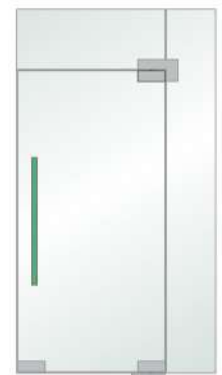
MM

- For back to back installation
- With gasket to prevent glass from damage

Length (A)	C to C (B)	Dia (C)
300	200	25
450	300	25
600	450	25



Glass Preparation



NGH-115

Glass Door Handle

Available Finish

- Satin Stainless Steel
- Combi

Material

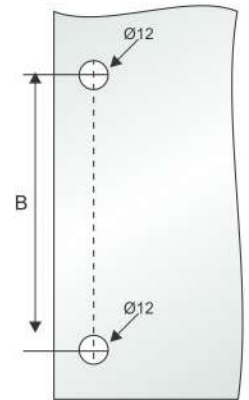
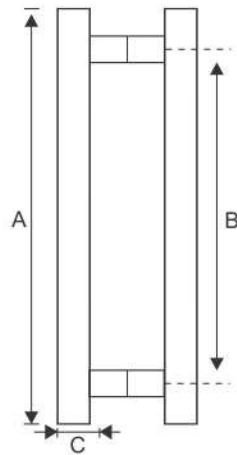
Stainless Steel 304

All Sizes in

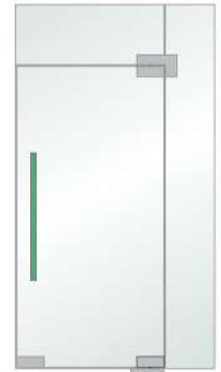
MM

- For back to back installation
- With gasket to prevent glass from damage

Length (A)	C to C (B)	Dia (C)
500	350	10/25
550	400	10/25
600	450	10/25
650	500	10/25
700	550	10/25
750	600	10/25



Glass Preparation



NGH-116

Glass Door Handle

Available Finish

- Satin Stainless Steel
- Combi

Material

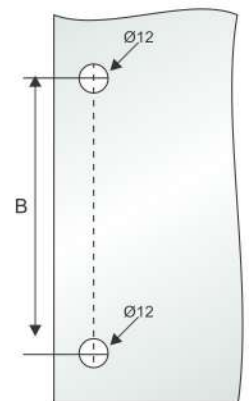
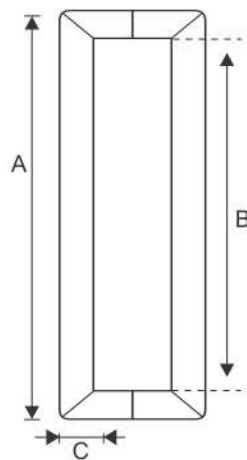
Stainless Steel 304

All Sizes in

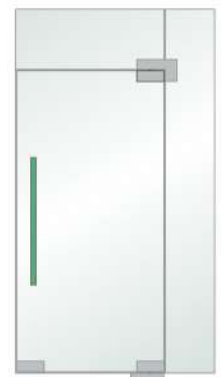
MM

- For back to back installation
- With gasket to prevent glass from damage

Length (A)	C to C (B)	Dia (C)
400	300	10/25



Glass Preparation



NGH-117

Glass Door Handle with Wood

Available Finish

- Satin
- Glossy

Material

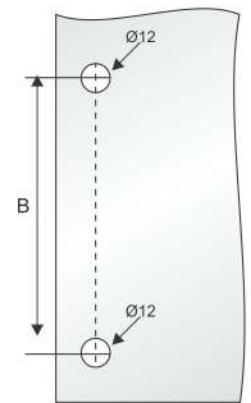
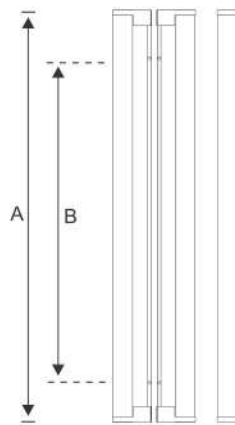
- Stainless Steel 304
- Wooden

All Sizes in

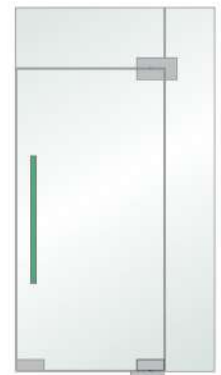
MM

- For back to back installation
- With gasket to prevent glass from damage

Length (A)	C to C (B)
400	300



Glass Preparation



NGH-118

H-Type Glass Door Handle with Wood

Available Finish

- Satin
- Glossy

Material

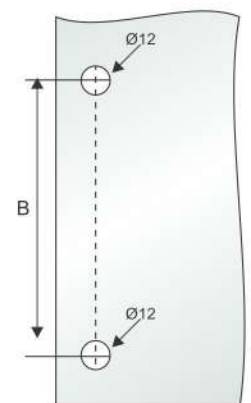
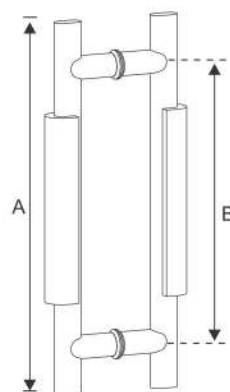
- Stainless Steel 304
- Wooden

All Sizes in

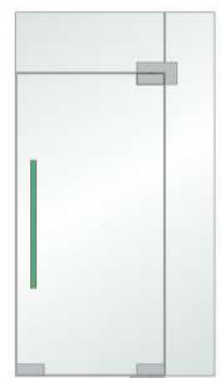
MM

- For back to back installation
- With gasket to prevent glass from damage

Length (A)	C to C (B)
400	300



Glass Preparation



NGH-119

Glass Door Handle with Lock Functional

Available Finish

- Satin Stainless Steel
- Combi

Material

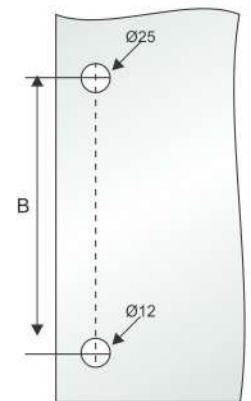
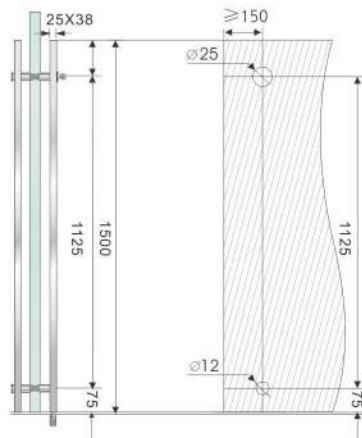
Stainless Steel 304

All Sizes in
MM

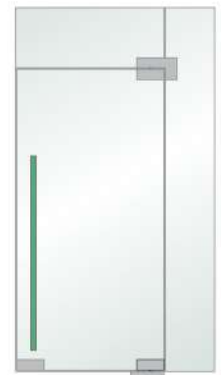
- For back to back installation
- With gasket to prevent glass from damage

Length (A)

1500



Glass Preparation



NGH-120

Glass Door Handle with Lock Functional

Available Finish

- Satin Stainless Steel
- Combi

Material

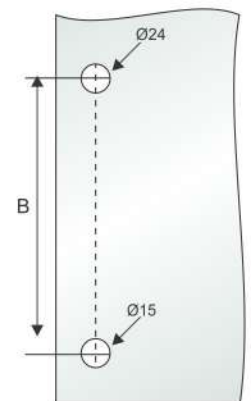
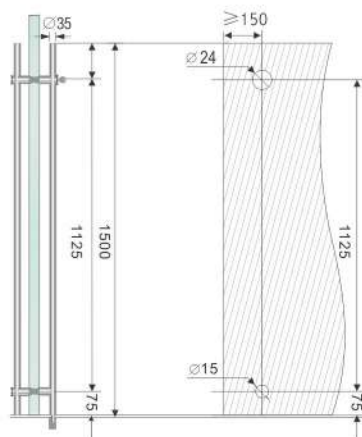
Stainless Steel 304

All Sizes in
MM

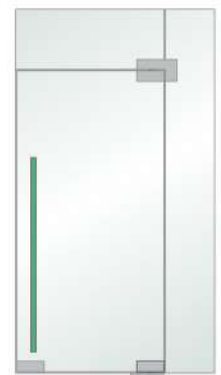
- For back to back installation
- With gasket to prevent glass from damage

Length (A)

1500



Glass Preparation



NGH-121

Glass Door Handle with Lock Functional

Available Finish

- Satin Stainless Steel
- Combi

Material

Stainless Steel 304

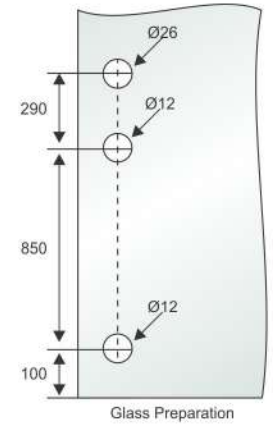
All Sizes in

MM

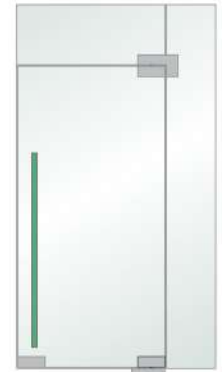
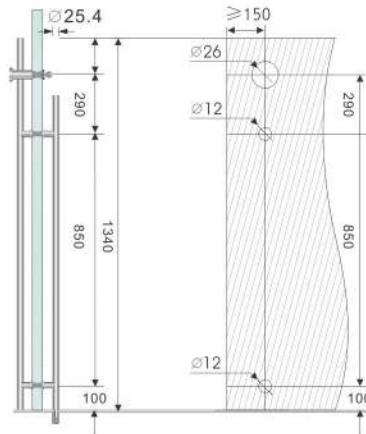
- For back to back installation
- With gasket to prevent glass from damage

Length (A)

1350



Glass Preparation



Shower Handle

NDH-1

Shower Handle

Available Finish

- Satin Stainless Steel
- Combi

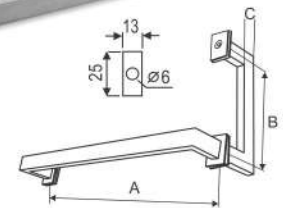
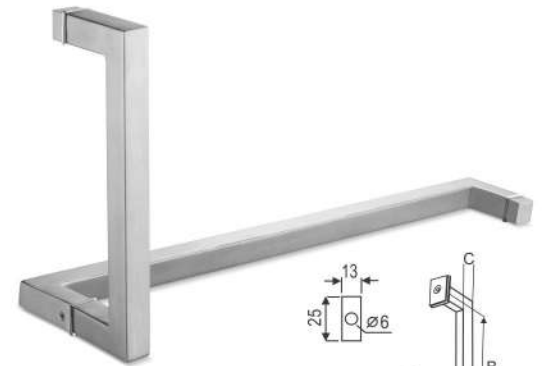
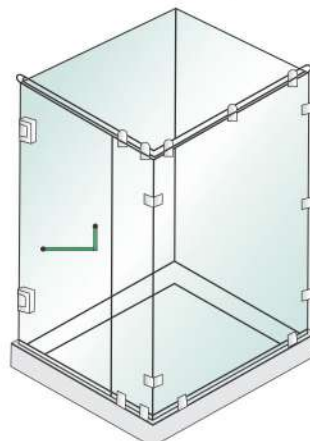
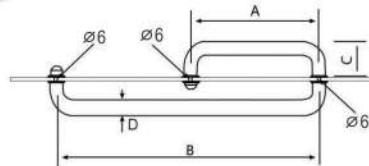
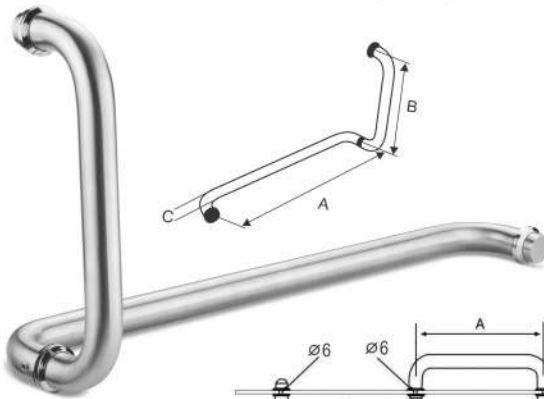
Material

Stainless Steel 304

All Sizes in

MM

- For back to back installation
- With gasket to prevent glass from damage



NDH-2

Shower Handle

Available Finish

- Satin Stainless Steel
- Combi

Material

Stainless Steel 304

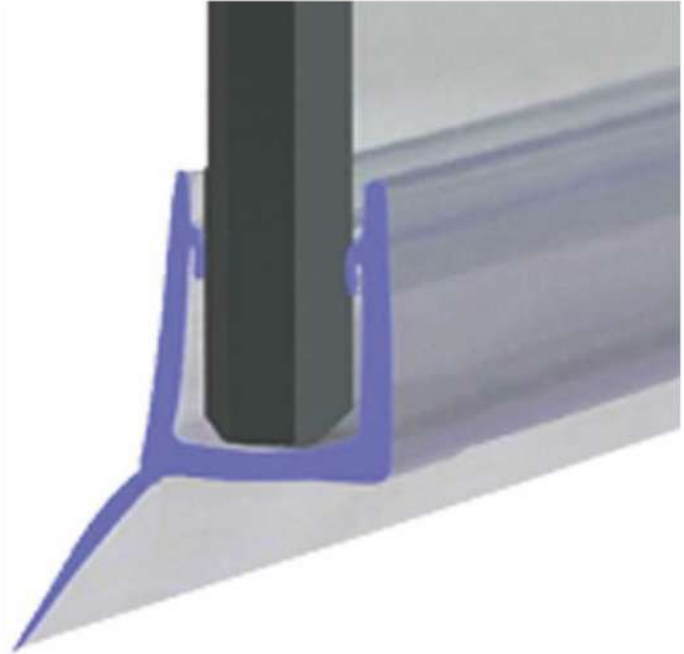
All Sizes in

MM

- For back to back installation
- With gasket to prevent glass from damage

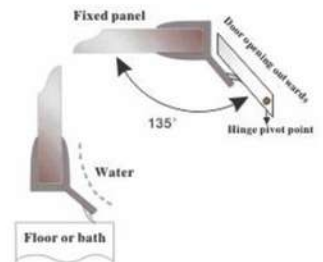
A	B	Dia (C)
400	150	19
450	150	19
400	200	19
450	200	19
400	150	22
450	150	22
400	200	22
450	200	22

A	B	Dia (C)
400	150	20
450	150	20
400	200	20
450	200	20



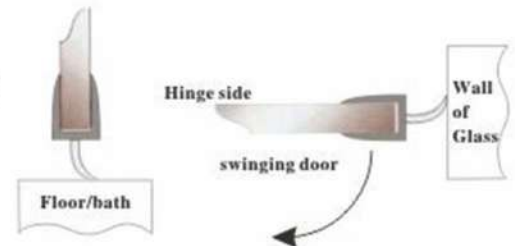
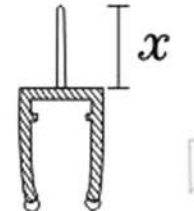
NPS-1
Centre Seal

Available Finish
Transparent
Material
PVC
Sizes Available
8mm (2.2mtr.)
10mm (2.2mtr.)
12mm (2.2mtr.)



NPS-2
Centre Seal

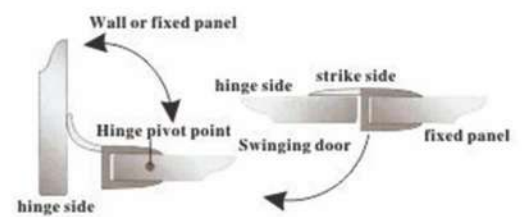
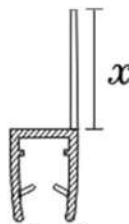
Available Finish
Transparent
Material
PVC
Sizes Available
8mm (2.2mtr.)
10mm (2.2mtr.)
12mm (2.2mtr.)



NPS-3
Central Seal

Available Finish
Transparent
Material
PVC
Sizes Available
8mm (2.2mtr.)
10mm (2.2 mtr.)
12mm (2.2mtr.)

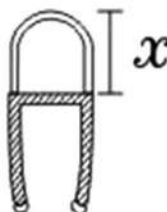
10mm (2.5mtr.)
12mm (2.5mtr.)




NPS-4
D Seal

Available Finish
Transparent
Material
PVC
Sizes Available
8mm (2.2mtr.)
10mm (2.2 mtr.)
12mm (2.2mtr.)

10mm (2.5mtr.)
12mm (2.5mtr.)



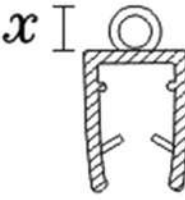


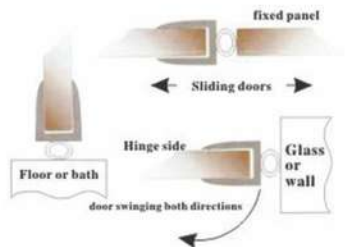
NPS-5
Soft Nose Seal


Available Finish
Transparent

Material
PVC

Sizes Available
8mm (2.2mtr.)
10mm (2.2mtr.)
12mm (2.2mtr.)





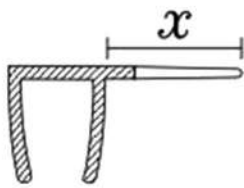


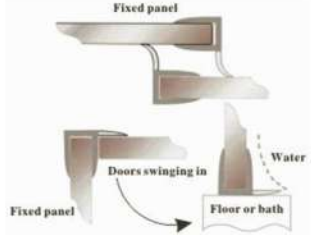
NPS-6
Sliding Door Seal


Available Finish
Transparent

Material
PVC

Sizes Available
8mm (2.2mtr.)
10mm (2.2 mtr.)
12mm (2.2mtr.)





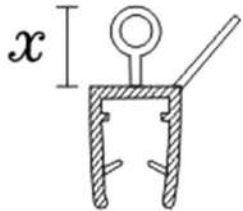


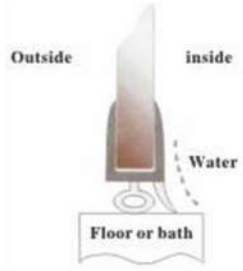
NPS-7
Water Dispersal Seal


Available Finish
Transparent

Material
PVC

Sizes Available
8mm (2.2mtr.)
10mm (2.2mtr.)
12mm (2.2mtr.)





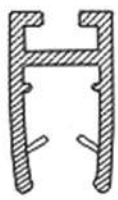


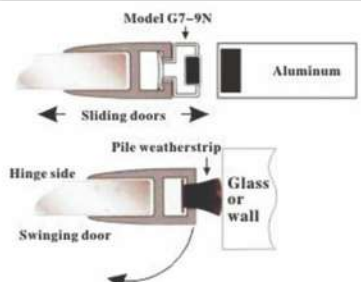
NPS-8

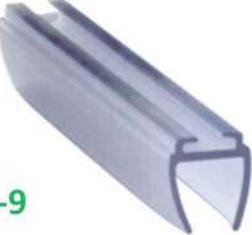
Available Finish
Transparent

Material
PVC

Sizes Available
8mm (2.2mtr.)
10mm (2.2mtr.)
12mm (2.2mtr.)





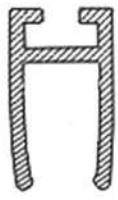


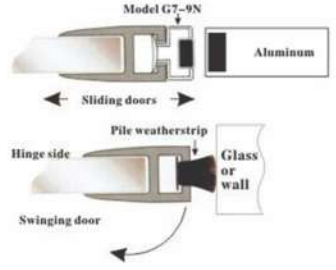
NPS-9


Available Finish
Transparent

Material
PVC

Sizes Available
10mm (2.2mtr.)
12mm (2.2mtr.)





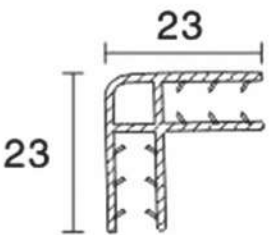


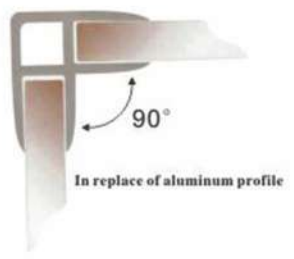
NPS-10
Screen Corner Connector

Available Finish
Transparent


Material
PVC

Sizes Available
6mm (2.2mtr.)
8mm (2.2mtr.)





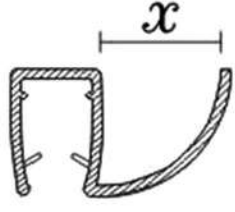
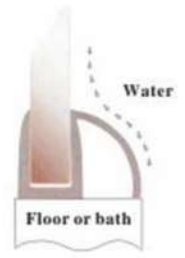
NPS-11




Available Finish
Transparent

Material
PVC

Sizes Available
8mm (2.2mtr.)

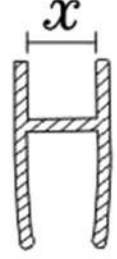

NPS-12




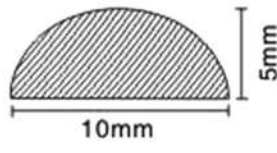
Available Finish
Transparent

Material
PVC


Sizes Available
8mm (2.2mtr.)

NPS-12

NPS-M1 180°
Magnetic

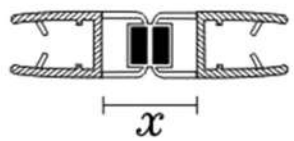



Available Finish
Transparent


Material
PVC

Sizes Available
8mm (2.2mtr.)
10mm (2.2 mtr.)
12mm (2.2mtr.)

10mm (2.5mtr.)
12mm (2.5mtr.)

NPS-M2 135°
Magnetic

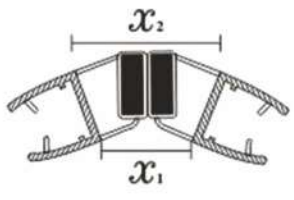
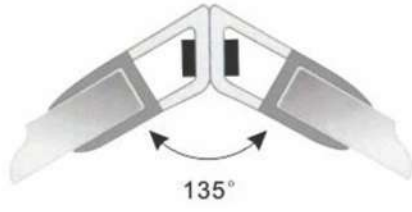


Available Finish
Transparent


Material
PVC

Sizes Available
8mm (2.2mtr.)
10mm (2.2 mtr.)
12mm (2.2mtr.)

10mm (2.5mtr.)
12mm (2.5mtr.)

NPS-M3 90°
Magnetic

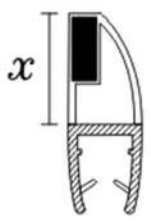
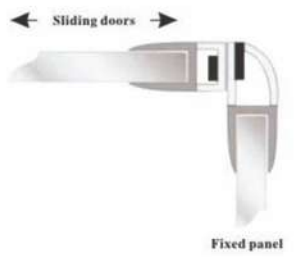


Available Finish
Transparent

Material
PVC

Sizes Available
8mm (2.2mtr.)
10mm (2.2 mtr.)
12mm (2.2mtr.)

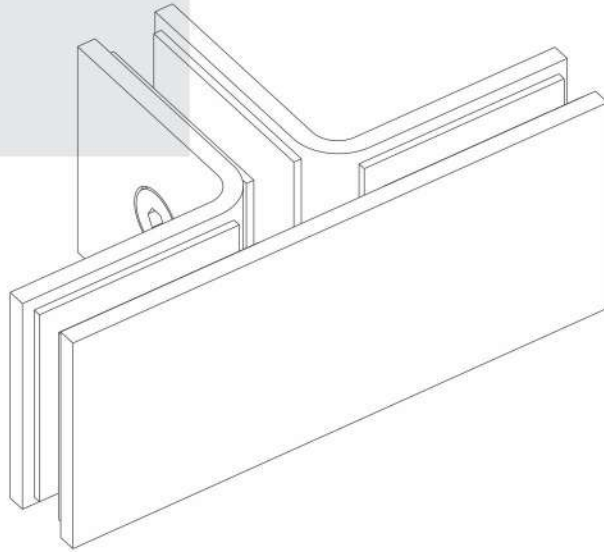
10mm (2.5mtr.)
12mm (2.5mtr.)



NOZDAK Shower Hinges, are a self-closing function at 30°. Suitable for 8-10mm thick glass. High strength alloy die-cast body secure holding the glass.

NOZDAK Glass Connectors, The frameless glass connectors are manufactured with high-grade alloy material as per the prevailing International standard. These are available in an extensive range of configurations. Handles, plastic profiles and other accessories matched to suits your desired combination.



Shower Hinge & Glass Connector





NOZDIAK

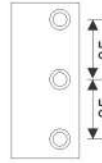
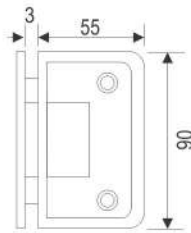
Shower Hinges



NSH-1

Wall to Glass 90° Off Set Hinge

With gasket to prevent glass from damage
Secure holding with Glass
Double action spring returns door from 25° in each direction

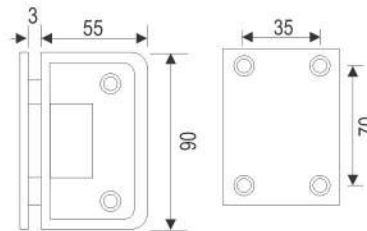
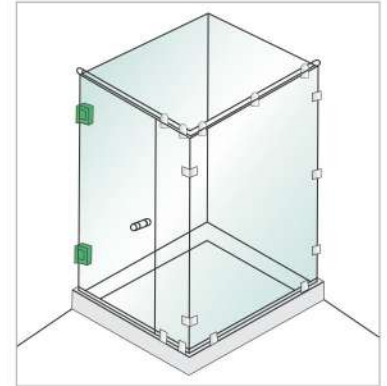
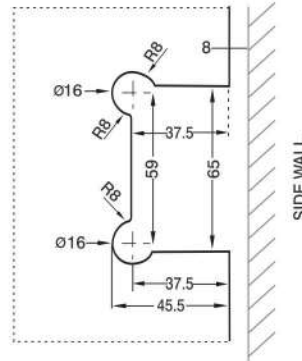


Available Finish
Matt
Chrome Plated

Material
Forged Brass

Door Thickness
8-12mm

Weight Capacity
45 Kg

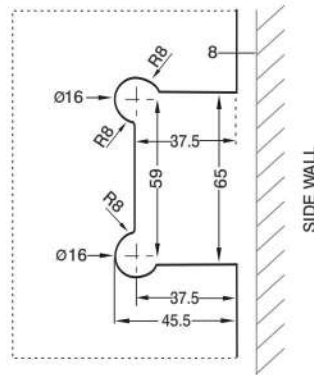


Available Finish
Matt
Chrome Plated

Material
Forged Brass

Door Thickness
8-12mm

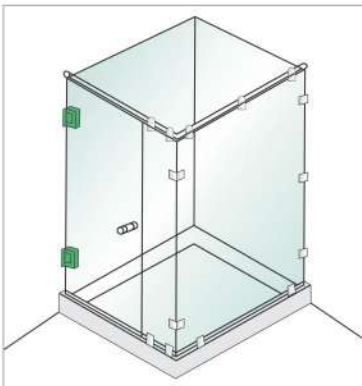
Weight Capacity
45 Kg



NSH-2

Wall to Glass 90° Hinge

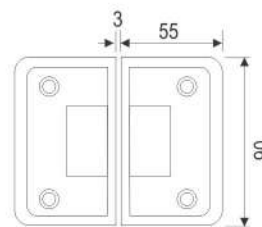
With gasket to prevent glass from damage
Secure holding with Glass
Double action spring returns door from 25° in each direction



NSH-3

Wall to Glass 180° Hinge

With gasket to prevent glass from damage
Secure holding with Glass
Double action spring returns door from 25° in each direction

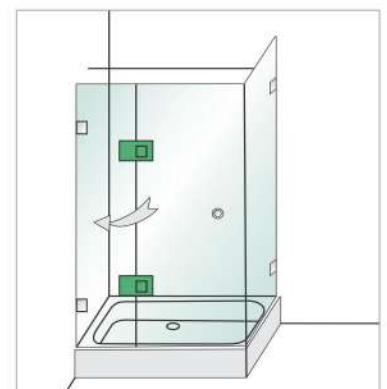
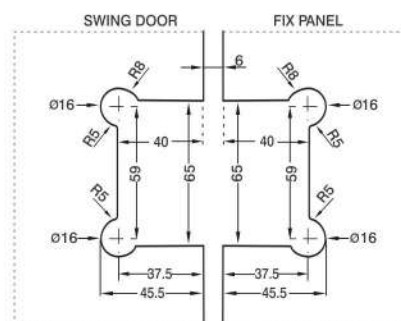


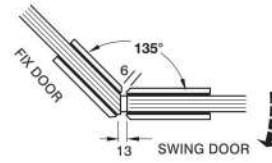
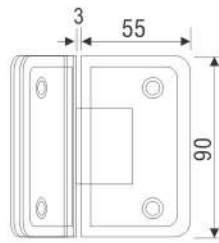
Available Finish
Matt
Chrome Plated

Material
Forged Brass

Door Thickness
8-12mm

Weight Capacity
45 Kg





NSH-4

Wall to Glass 135° Off Set Hinge

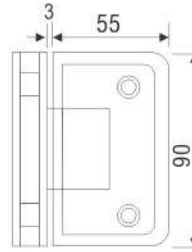
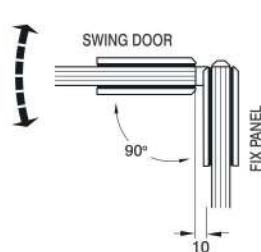
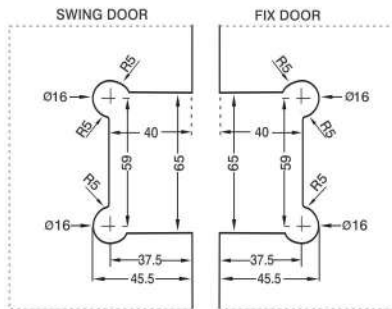
With gasket to prevent glass from damage
Secure holding with Glass
Double action spring returns door from 25° in each direction

Available Finish
Matt
Chrome Plated

Material
Forged Brass

Door Thickness
8-12mm

Weight Capacity
45 Kg



NSH-5

Wall to Glass 90° Off Set Hinge

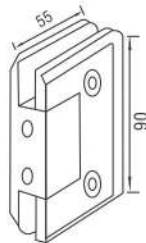
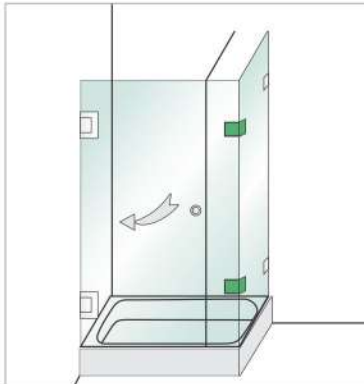
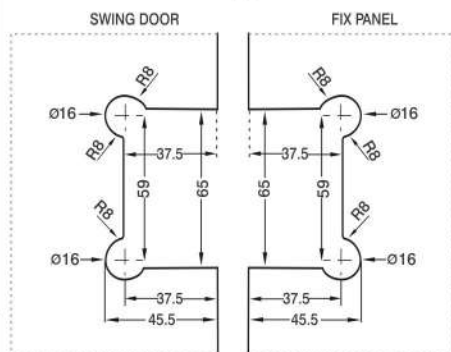
With gasket to prevent glass from damage
Secure holding with Glass
Double action spring returns door from 25° in each direction

Available Finish
Matt
Chrome Plated

Material
Forged Brass

Door Thickness
8-12mm

Weight Capacity
45 Kg

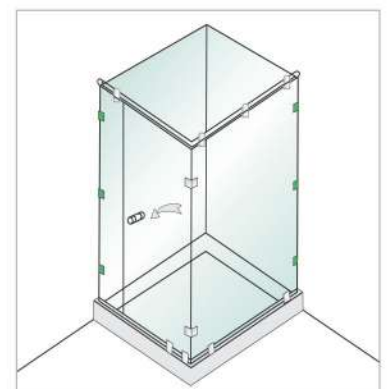
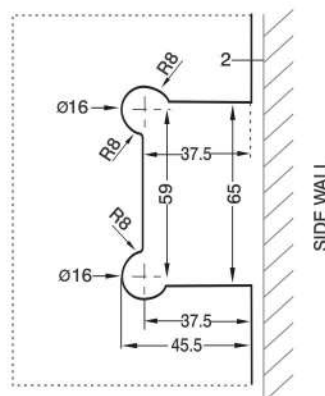


Available Finish
Matt
Chrome Plated

Material
Forged Brass

Door Thickness
8-12mm

Weight Capacity
45 Kg



NSH-6

Wall to Glass 90° Hinge Fixed

With gasket to prevent glass from damage
Secure holding with Glass



NSH-11

Wall to Glass 90° Off Set Hinge

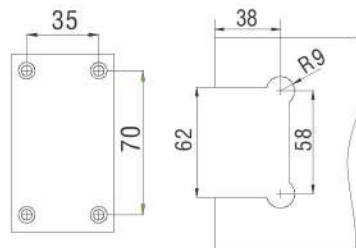
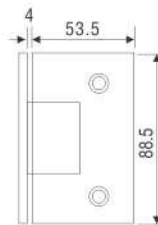
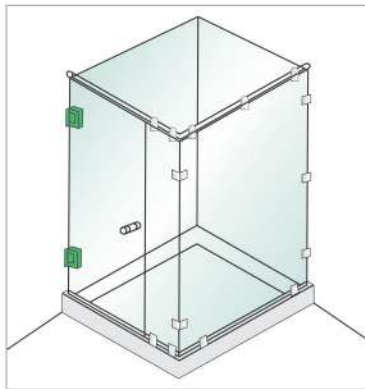
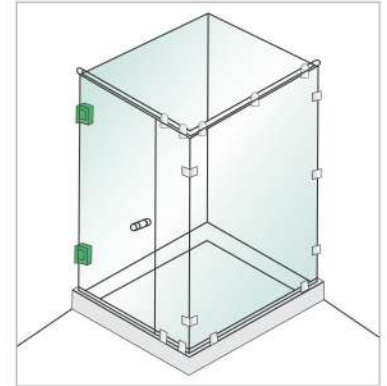
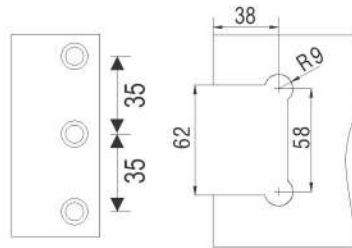
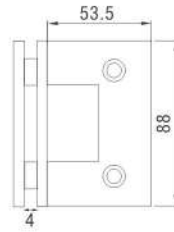
With gasket to prevent glass from damage
Secure holding with Glass
Double action spring returns door from 25°
in each direction

Available Finish
Matt
Chrome Plated

Material
Stainless Steel

Door Thickness
8-12mm

Weight Capacity
45 Kg



Available Finish
Matt
Chrome Plated

Material
Stainless Steel

Door Thickness
8-12mm

Weight Capacity
45 Kg



NSH-22

Wall to Glass 90° Hinge

With gasket to prevent glass from damage
Secure holding with Glass
Double action spring returns door from 25°
in each direction



NSH-33

Wall to Glass 180° Hinge

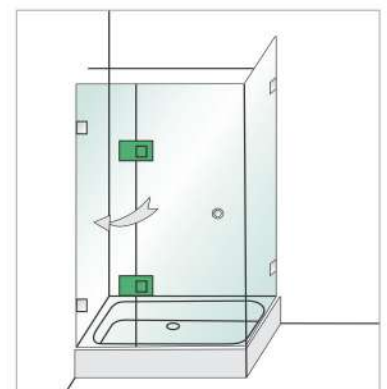
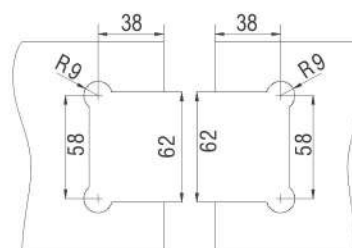
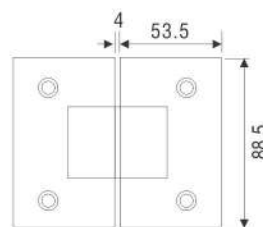
With gasket to prevent glass from damage
Secure holding with Glass
Double action spring returns door from 25°
in each direction

Available Finish
Matt
Chrome Plated

Material
Stainless Steel

Door Thickness
8-12mm

Weight Capacity
45 Kg





NSH-44

Wall to Glass 135° Off Set Hinge

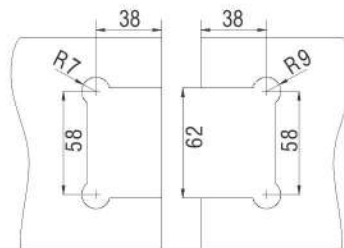
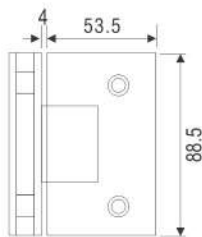
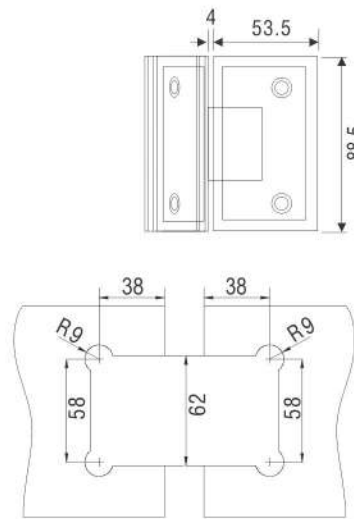
With gasket to prevent glass from damage
Secure holding with Glass
Double action spring returns door from 25° in each direction

Available Finish
Matt
Chrome Plated

Material
Stainless Steel

Door Thickness
8-12mm

Weight Capacity
45 Kg



Available Finish
Matt
Chrome Plated

Material
Stainless Steel

Door Thickness
8-12mm

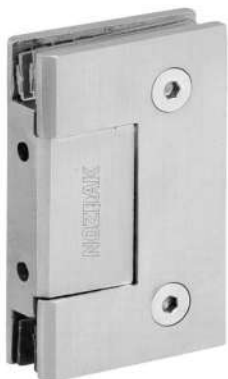
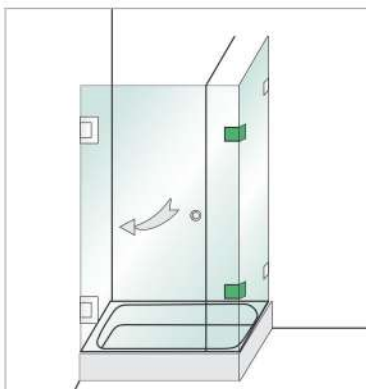
Weight Capacity
45 Kg



NSH-55

Wall to Glass 90° Off Set Hinge

With gasket to prevent glass from damage
Secure holding with Glass
Double action spring returns door from 25° in each direction



NSH-66

Wall to Glass 90° Hinge Fixed

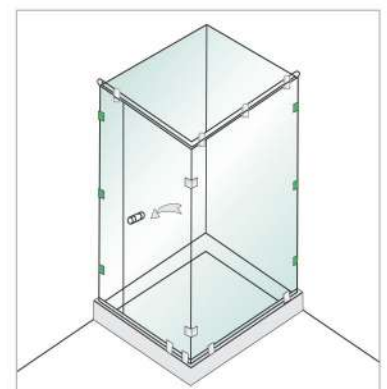
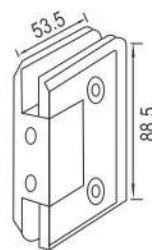
With gasket to prevent glass from damage
Secure holding with Glass

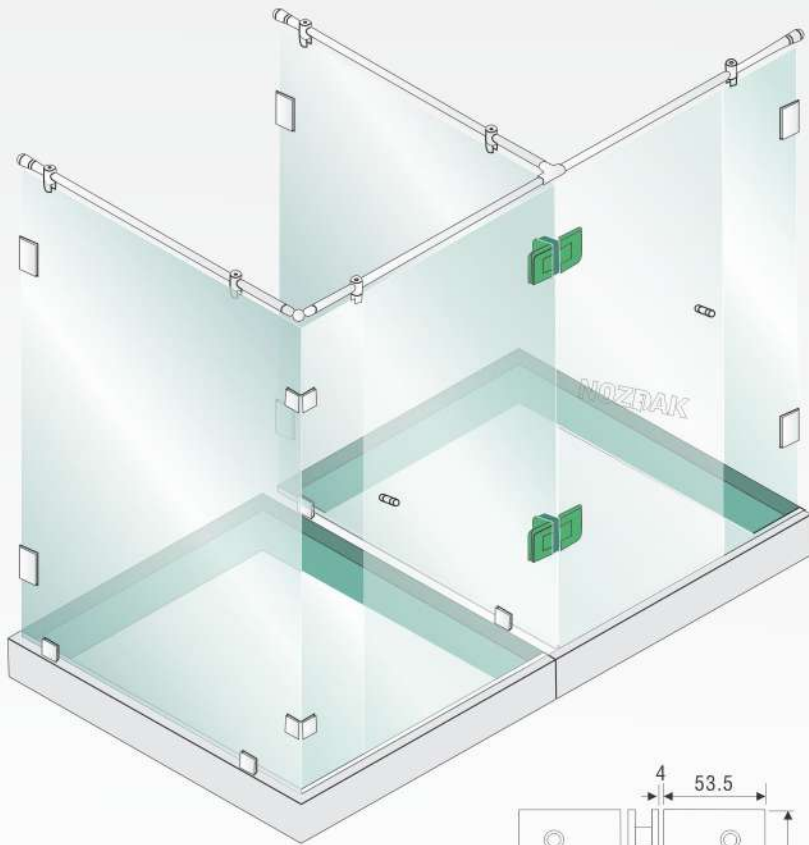
Available Finish
Matt
Chrome Plated

Material
Stainless Steel

Door Thickness
8-12mm

Weight Capacity
45 Kg



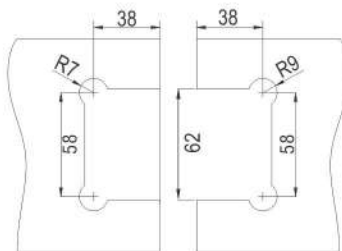
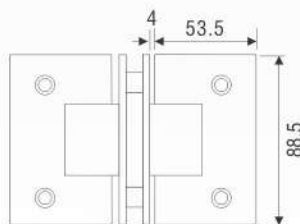


Available Finish
Matt
Chrome Plated

Material
Stainless Steel

Door Thickness
8-12mm

Weight Capacity
45 Kg



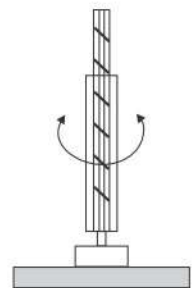
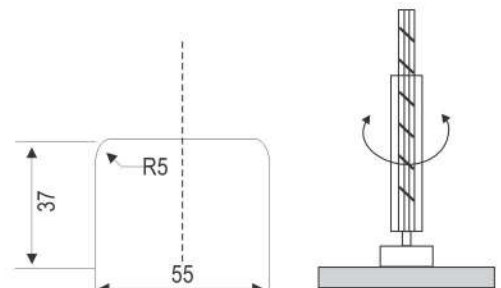
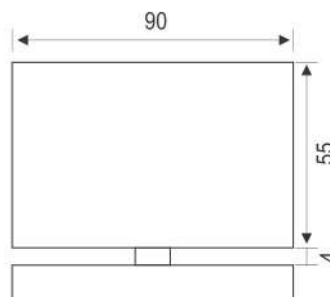
NSH-77

Glass to Glass for 2 Door Hinge
With gasket to prevent glass from damage
Secure holding with Glass
Double action spring returns door from 25°
in each direction



NSH-88

Door Thickness : 6mm to 10mm
Door Weight : Maximum 45 Kg.
Material : Brass
Finish : Bright Chrome





NSH-111

Wall to Glass 90° Off Set Hing

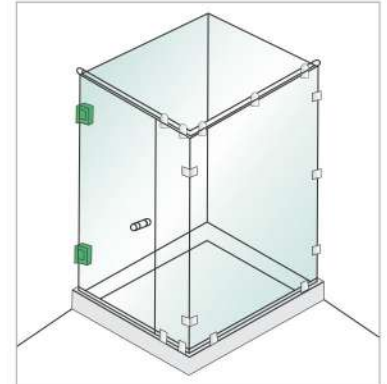
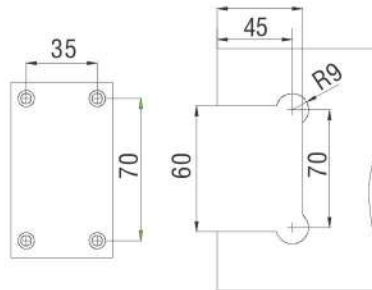
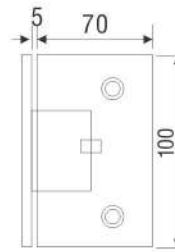
With gasket to prevent glass from damage
Secure holding with Glass e

Available Finish
Matt
Chrome Plated

Material
Stainless Steel

Door Thickness
8-12mm

Weight Capacity
80 Kg Heavy Duty



NSH-333

Glass to Glass 180° Hinge

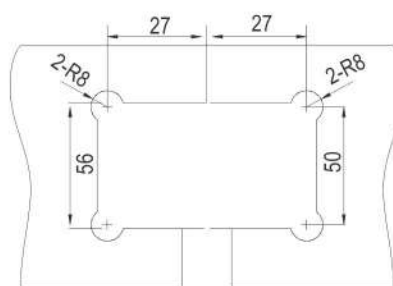
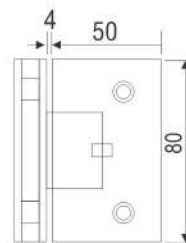
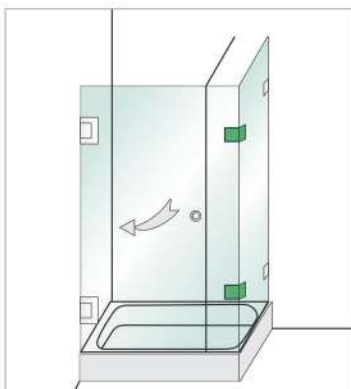
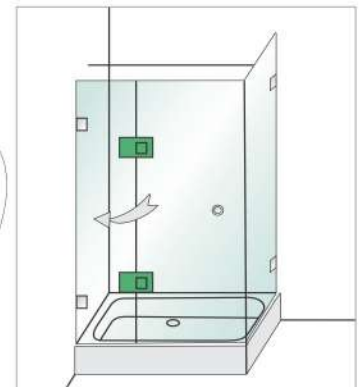
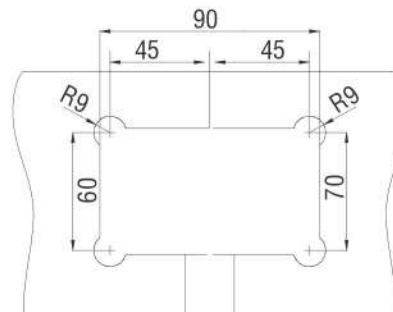
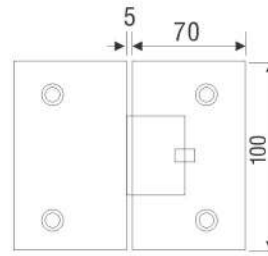
With gasket to prevent glass from damage
Secure holding with Glass

Available Finish
Matt
Chrome Plated

Material
Stainless Steel

Door Thickness
8-12mm

Weight Capacity
80 Kg Heavy Duty



Available Finish
Matt
Chrome Plated

Material
Stainless Steel

Door Thickness
8-12mm

Weight Capacity
80 Kg Heavy Duty



NSH-555

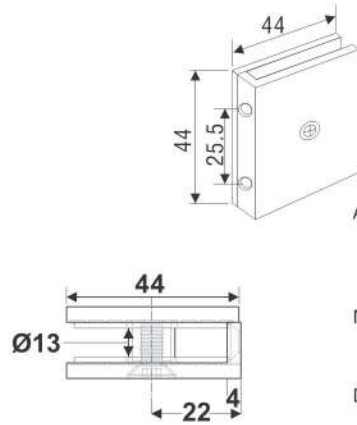
Glass to Glass 90° Hinge

With gasket to prevent glass from damage
Secure holding with Glass



NGC-1

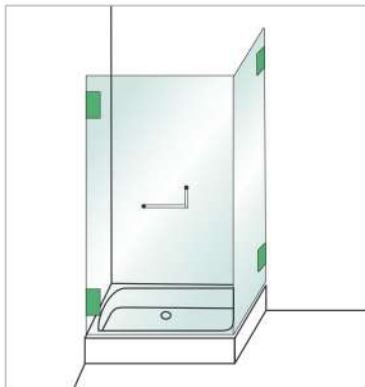
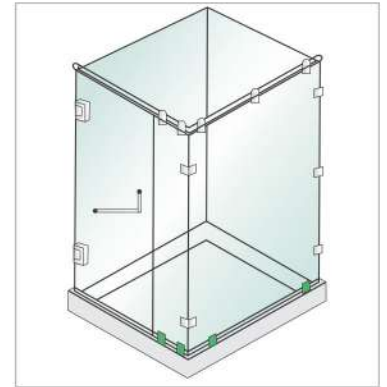
Fixed Floor Mounting - Casting
With gasket to prevent glass from damage
Secure holding with Glass



Available Finish
Satin
Glossy

Material
Stainless Steel 304 Grade

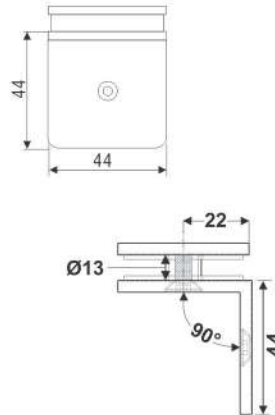
Door Thickness
8-12mm



Available Finish
Satin
Glossy

Material
Stainless Steel 304 Grade

Door Thickness
8-12mm



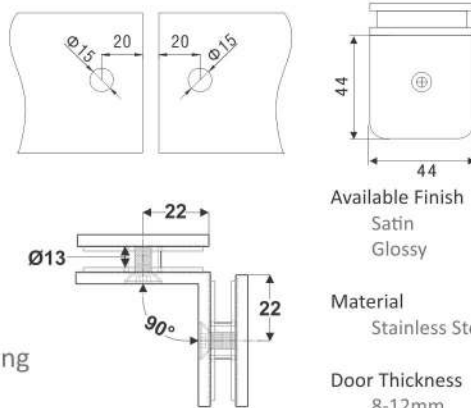
NGC-2

Wall to Glass Connector 90° - Casting
With gasket to prevent glass from damage
Secure holding with Glass



NGC-3

Glass to Glass Connector 90° - Casting
With gasket to prevent glass from damage
Secure holding with Glass



Available Finish
Satin
Glossy

Material
Stainless Steel 304 Grade

Door Thickness
8-12mm

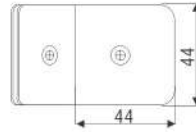
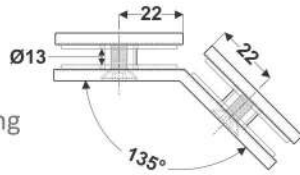




NGC-4

Glass to Glass Connector 135° - Casting

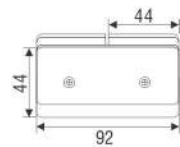
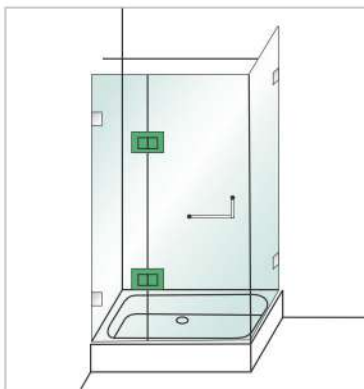
With gasket to prevent glass from damage
Secure holding with Glass



Available Finish
Satin
Glossy

Material
Stainless Steel 304 Grade

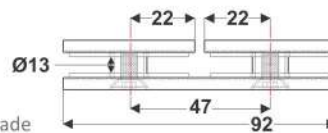
Door Thickness
8-12mm



Available Finish
Satin
Glossy

Material
Stainless Steel 304 Grade

Door Thickness
8-12mm



NGC-5

Glass to Glass Connector 180° - Casting

With gasket to prevent glass from damage
Secure holding with Glass

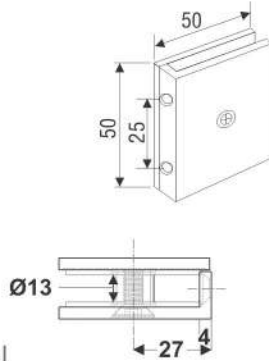




NGC-11

Fixed Floor Mounting - 4mm Sheet Metal

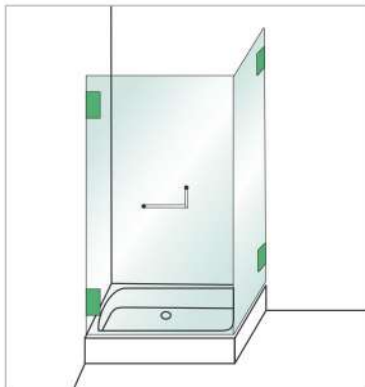
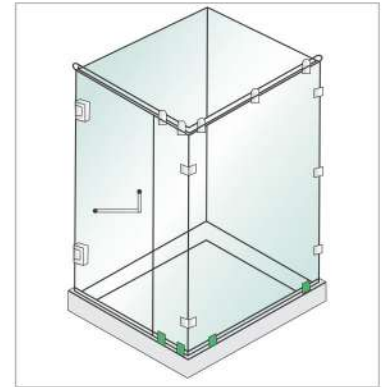
With gasket to prevent glass from damage
Secure holding with Glass



Available Finish
Satin
Glossy

Material
Stainless Steel 304 Grade

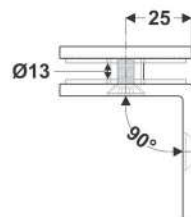
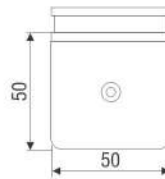
Door Thickness
8-12mm



Available Finish
Satin
Glossy

Material
Stainless Steel 304 Grade

Door Thickness
8-12mm



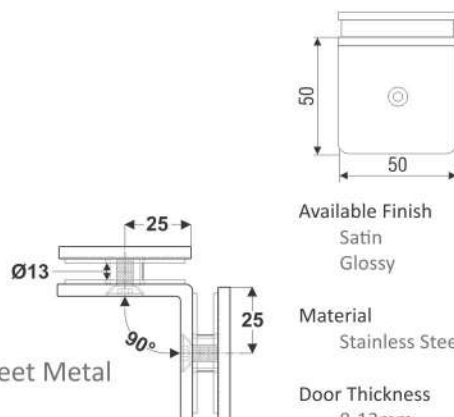
NGC-22
Wall to Glass Connector 90° - 4mm Sheet Metal
With gasket to prevent glass from damage
Secure holding with Glass



NGC-33

Glass to Glass Connector 90° - 4mm Sheet Metal

With gasket to prevent glass from damage
Secure holding with Glass



Available Finish
Satin
Glossy

Material
Stainless Steel 304 Grade

Door Thickness
8-12mm

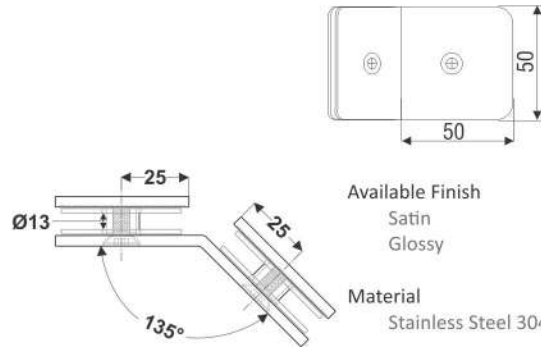




NGC-44

Glass to Glass Connector 135° - 4mm Sheet Metal

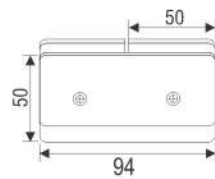
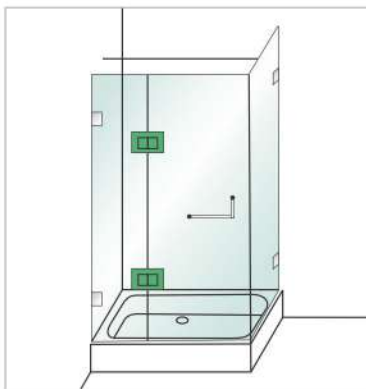
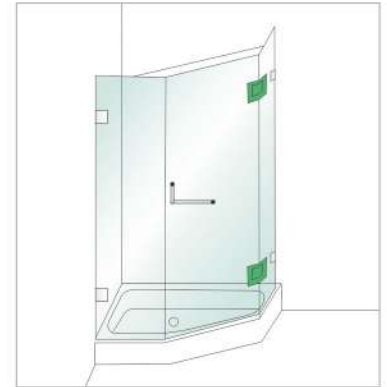
With gasket to prevent glass from damage
Secure holding with Glass



Available Finish
Satin
Glossy

Material
Stainless Steel 304 Grade

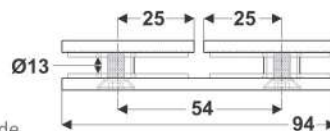
Door Thickness
8-12mm



Available Finish
Satin
Glossy

Material
Stainless Steel 304 Grade

Door Thickness
8-12mm



NGC-55

Glass to Glass Connector 180° - 4mm Sheet Metal

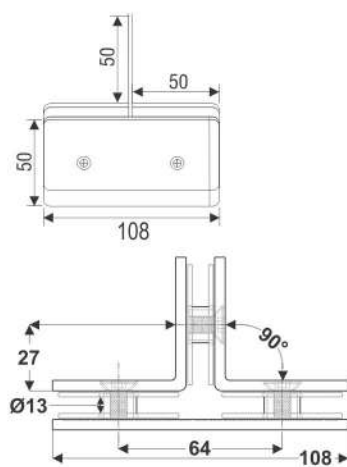
With gasket to prevent glass from damage
Secure holding with Glass



NGC-66

Glass to Glass Connector 90° - 4mm Sheet Metal

With gasket to prevent glass from damage
Secure holding with Glass

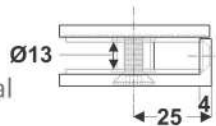
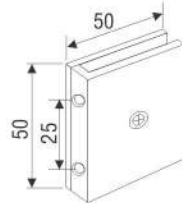
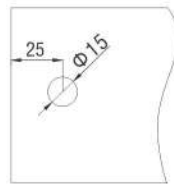


Available Finish
Satin
Glossy

Material
Stainless Steel 304 Grade

Door Thickness
8-12mm

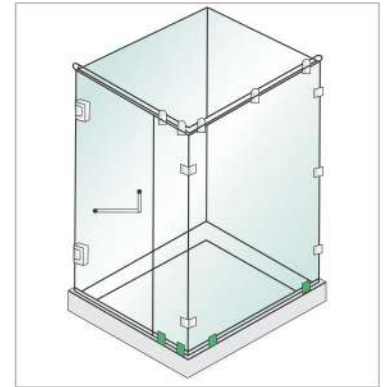




Available Finish
Satin
Glossy

Material
Stainless Steel 304 Grade

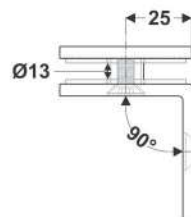
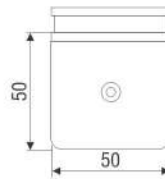
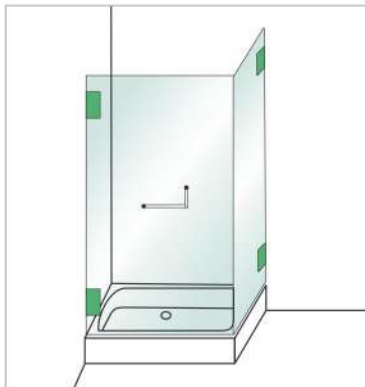
Door Thickness
8-12mm



NGC-111

Fixed Floor Mounting - 3mm Sheet Metal

With gasket to prevent glass from damage
Secure holding with Glass



Available Finish
Satin
Glossy

Material
Stainless Steel 304 Grade

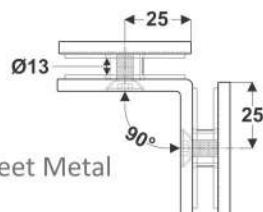
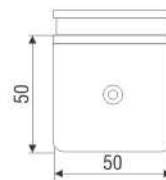
Door Thickness
8-12mm



NGC-222

Wall to Glass Connector 90° - 3mm Sheet Metal

With gasket to prevent glass from damage
Secure holding with Glass



Available Finish
Satin
Glossy

Material
Stainless Steel 304 Grade

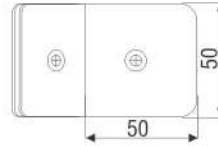
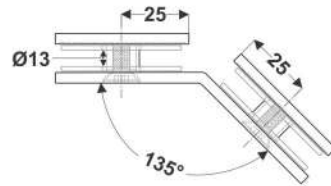
Door Thickness
8-12mm



NGC-333

Glass to Glass Connector 90° - 3mm Sheet Metal

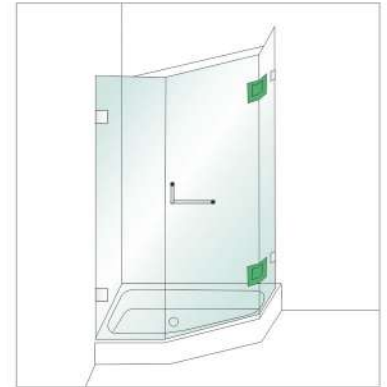
With gasket to prevent glass from damage
Secure holding with Glass



Available Finish
Satin
Glossy

Material
Stainless Steel 304 Grade

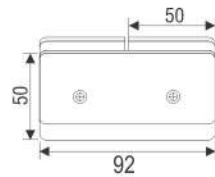
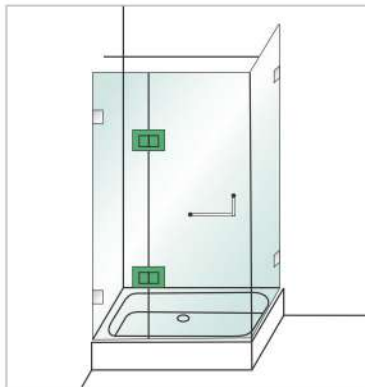
Door Thickness
8-12mm



NGC-444

Glass to Glass Connector 135° - 3mm Sheet Metal

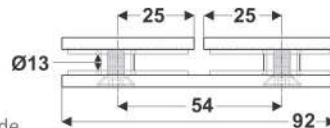
With gasket to prevent glass from damage
Secure holding with Glass



Available Finish
Satin
Glossy

Material
Stainless Steel 304 Grade

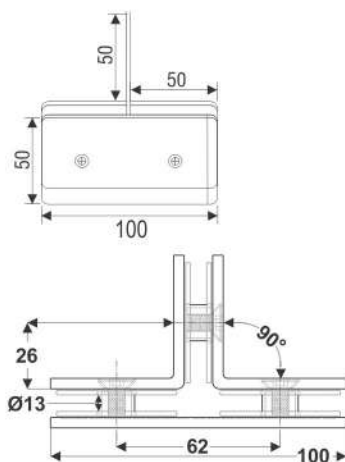
Door Thickness
8-12mm



NGC-555

Glass to Glass Connector 180° - 3mm Sheet Metal

With gasket to prevent glass from damage
Secure holding with Glass



Available Finish
Satin
Glossy

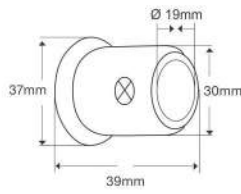
Material
Stainless Steel 304 Grade

Door Thickness
8-12mm

NGC-666

Glass to Glass Connector 90° - 3mm Sheet Metal

With gasket to prevent glass from damage
Secure holding with Glass

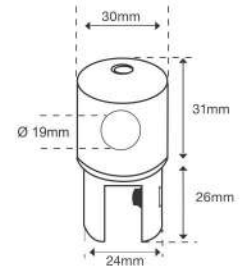


NKH-1

Wall to Rod Holder (for Dia 19mm Rod)

Specifications

- Finish: Satin / Glossy
- Material: Stainless Steel 304 Grade

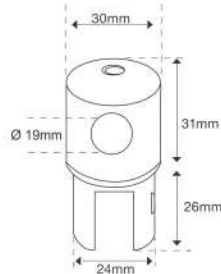


NKH-2

Rod to Glass Holder (for Dia 19mm Rod)

Specifications

- Finish: Satin / Glossy
- Material: Stainless Steel 304 Grade

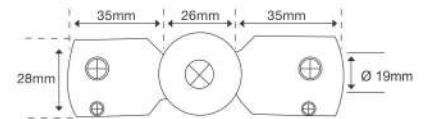


NKH-3

Rod to Glass Holder One Side Blind (for Dia 19mm Rod)

Specifications

- Finish: Satin / Glossy
- Material: Stainless Steel 304 Grade

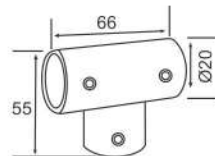


NKH-4

Rod to Rod Holder (for Dia 19mm Rod)

Specifications

- Finish: Satin / Glossy
- Material: Stainless Steel 304 Grade

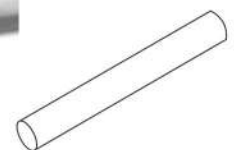
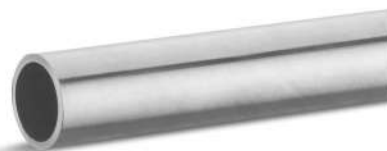


NKH-5

Rod to Rod T Connector (for Dia 19mm Rod)

Specifications

- Finish: Satin / Glossy
- Material: Stainless Steel 304 Grade

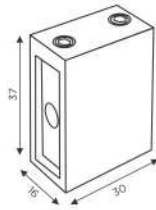


NKH-6

Reinforcing Rod (Dia 19mm)

Specifications

- Finish: Satin / Glossy
- Material: Stainless Steel 304 Grade

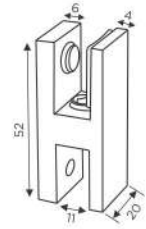


NKH-7

Wall to Track Connector

Specifications

- Finish: Satin / Glossy
- Material: Stainless Steel 304 Grade

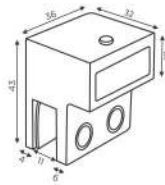


NKH-8

Glass to Track Connector

Specifications

- Finish: Satin / Glossy
- Material: Stainless Steel 304 Grade

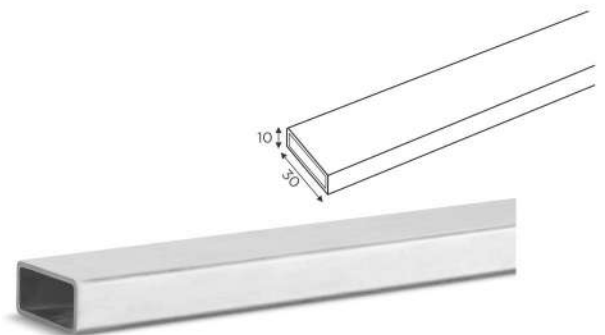


NKH-9

Track to Track Connector

Specifications

- Finish: Satin / Glossy
- Material: Stainless Steel 304 Grade

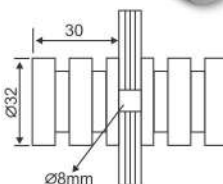
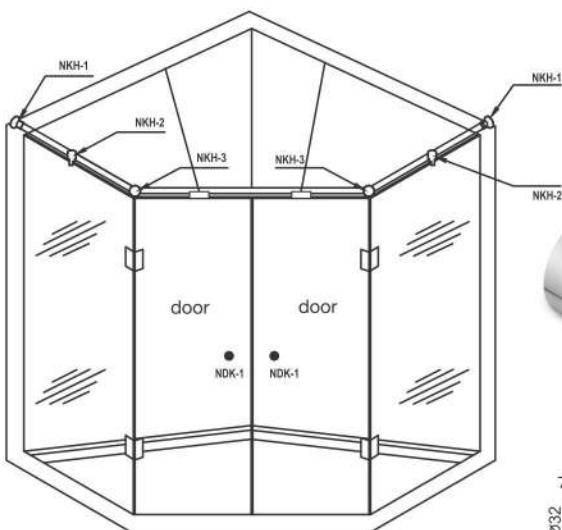


NKH-10

Connecting Track

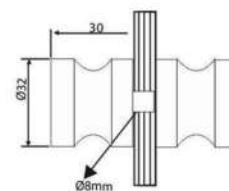
Specifications

- Finish: Satin / Glossy
- Material: Stainless Steel 304 Grade



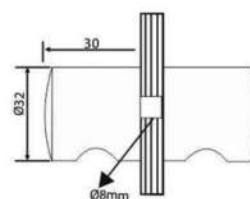
NDK-2

Door Knob



NDK-1

Door Knob

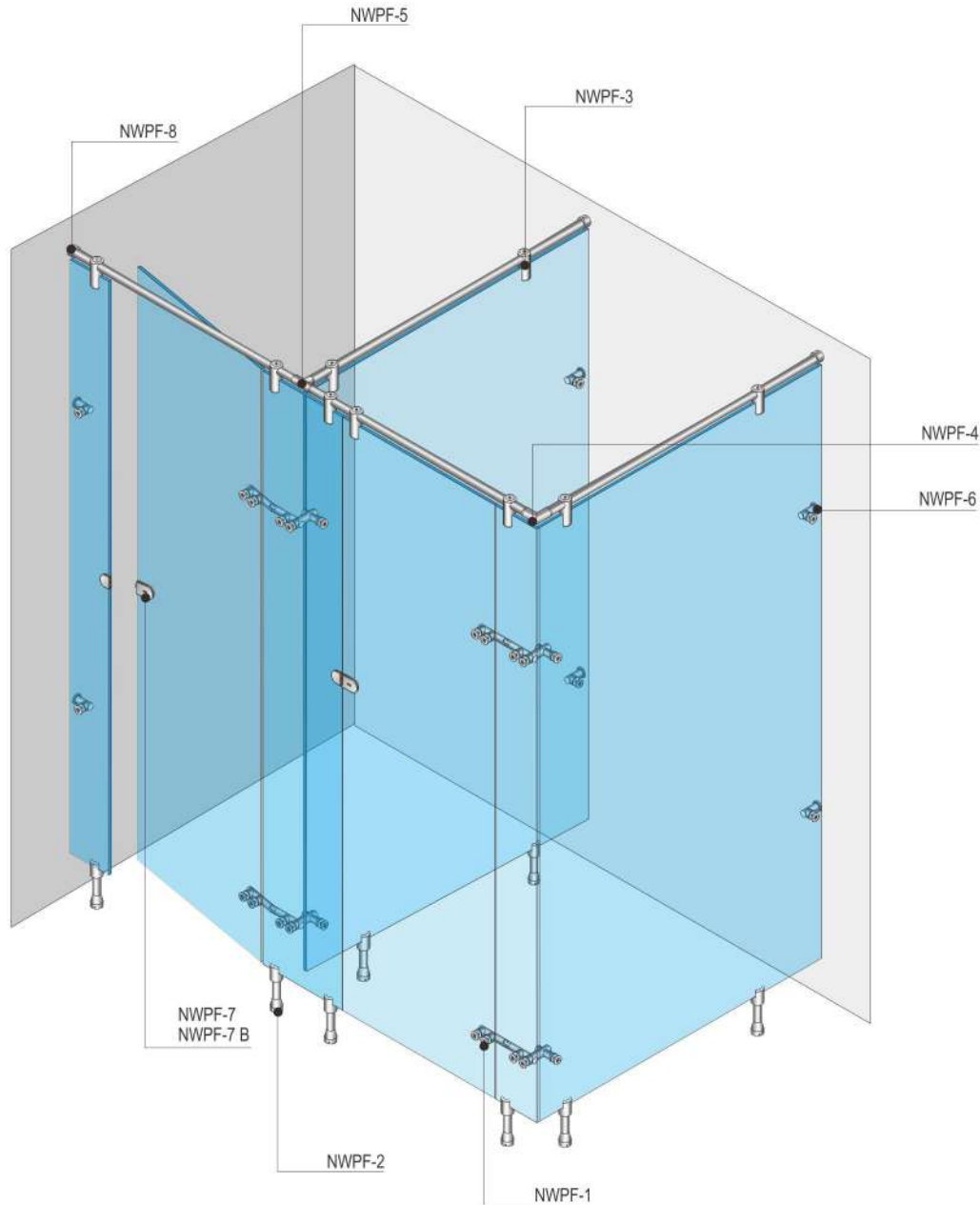


NDK-3

Door Knob



Installation



NWPF-1
Corner and Hinge
Assembly



NWPF-2
Panel Leg Support



NWPF-3
Top Panel
Tube Connector



NWPF-4
90° Tube Connector



NWPF-5
T Tube Connector



NWPF-6
Wall to Panel
Connector



NWPF-7
Double Swing Door
Indicator Lock & Keep



NWPF-7 B
Single Swing Door
Indicator Lock & Keep Inwards Opening



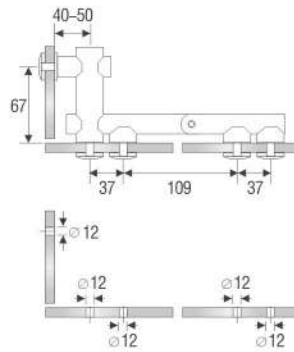
NWPF-8
Wall to Tube
Connector Short



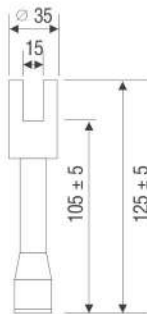
NWPF-9
Swift Rod (SS)



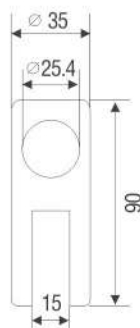
NWPF-1
Corner and Hinge
Assembly



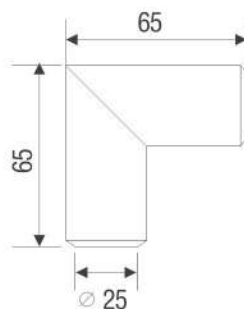
NWPF-2
Panel Leg Support



NWPF-3
Top Panel
Tube Connector

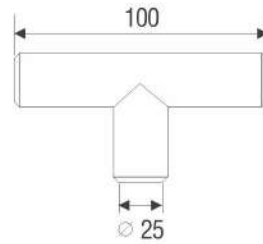


NWPF-4
90° Tube Connector

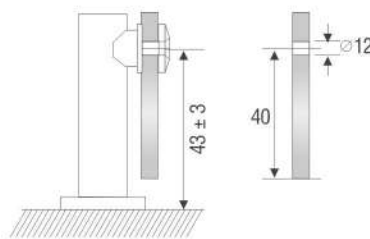




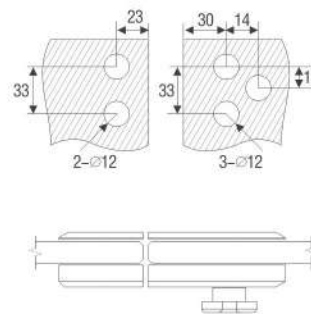
NWPF-5
T Tube Connector



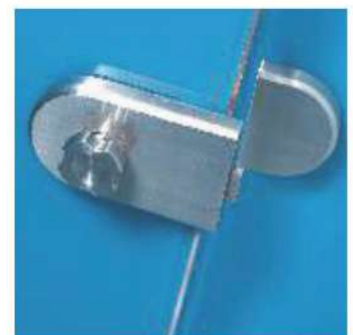
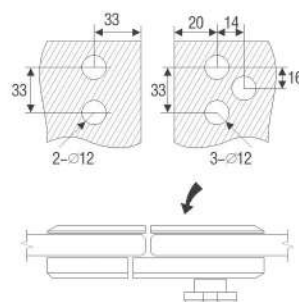
NWPF-6
Wall to Panel Connector



NWPF-7
Double Swing Door Indicator
Lock & Keep

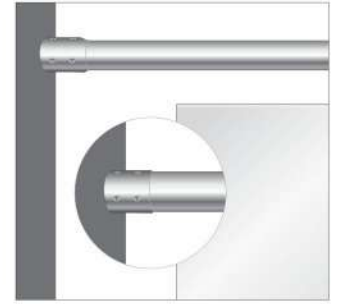
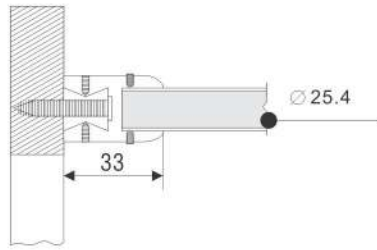


NWPF-7 B
Single Swing Door Indicator
Lock & Keep Inwards Opening

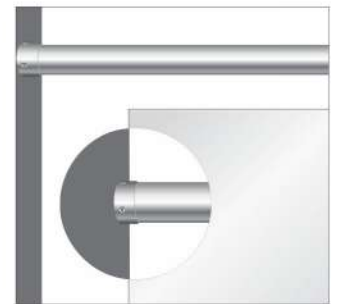




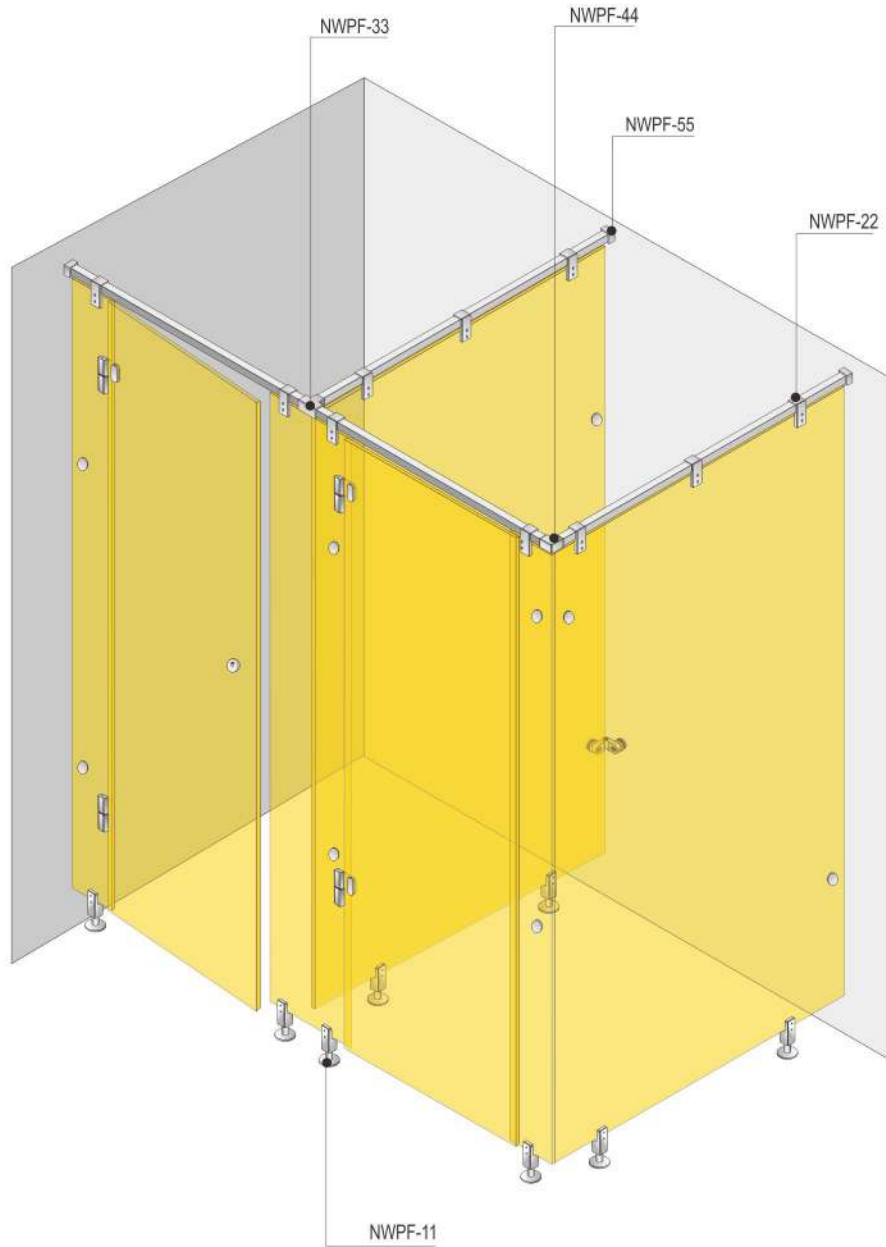
NWPF-8
Wall to Tube
Connector Short



NWPF-9
Swift Rod (SS)







NWPF-11
Panel Leg Support



NWPF-22
Top Panel Tube Connector



NWPF-33
90° Tube Connector



NWPF-44
T Tube Connector



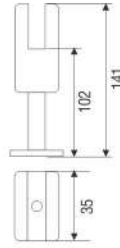
NWPF-55
Wall to Tube Connector



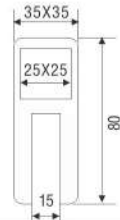
NWPF-66
Swift Rod



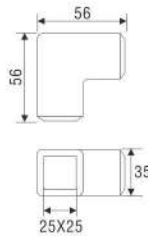
NWPF-11
Panel Leg Support



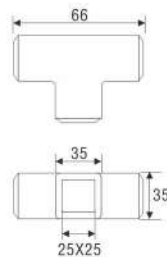
NWPF-22
Top Panel Tube Connector



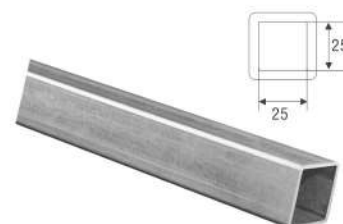
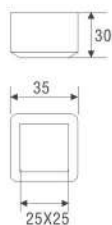
NWPF-33
90° Tube Connector



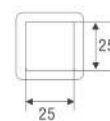
NWPF-44
T Tube Connector



NWPF-55
Wall to Tube Connector

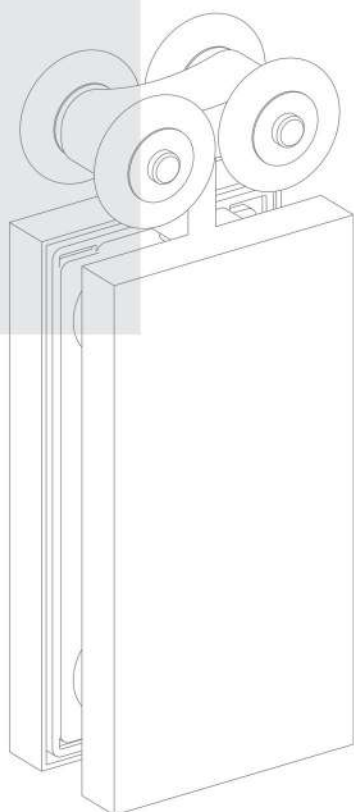


NWPF-66
Swift Rod

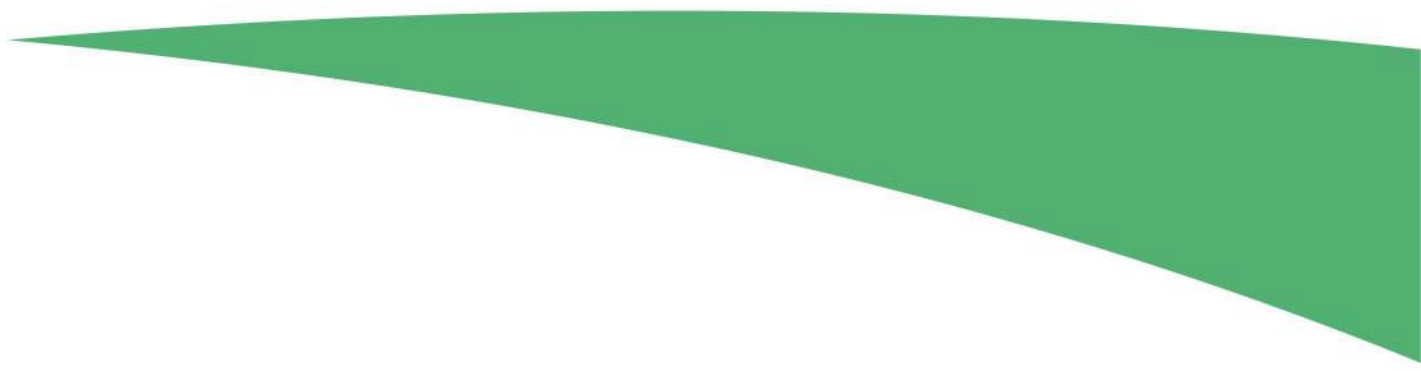




NOZDAK Sliding System matched with stainless steel glass door clamp which is most suitable for sliding glass door, whose wheels utilise high strength wear-resistant material, little noise structural design for noiseless operation and durability; Suspension track is made of very high-quality alloy material used in aviation, down holding and dust proof, bearing with extra high weight.



Sliding System



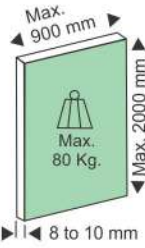
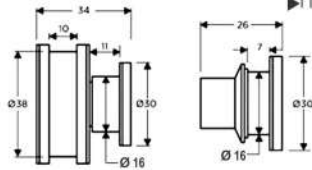


NOZEDAK

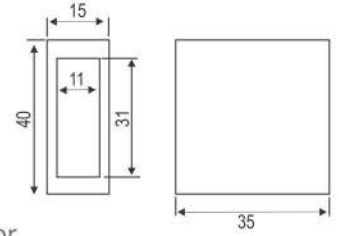




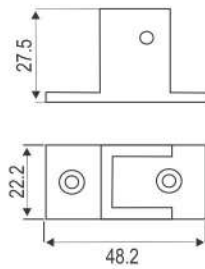
NSL-1
Glass Sliding Roller



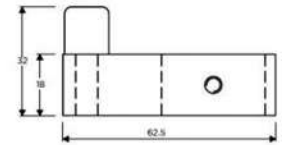
NSL-2
Wall to Track Connector



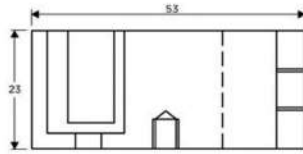
NSL-3
Plate Type Wall Socket



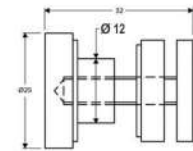
NSL-4
Stopper



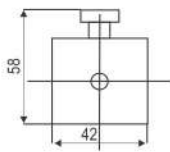
NSL-5
Floor Guide



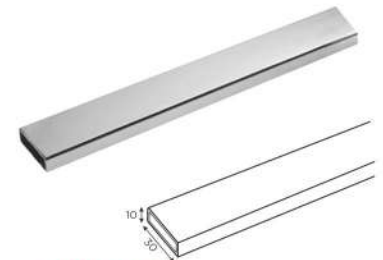
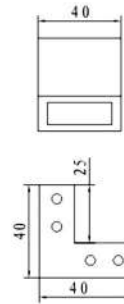
NSL-6
Track to Glass Holder



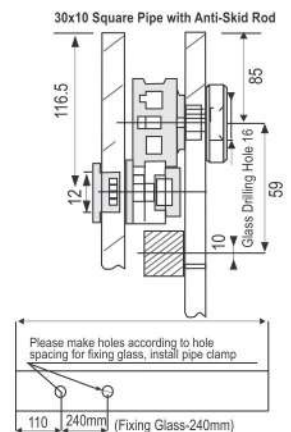
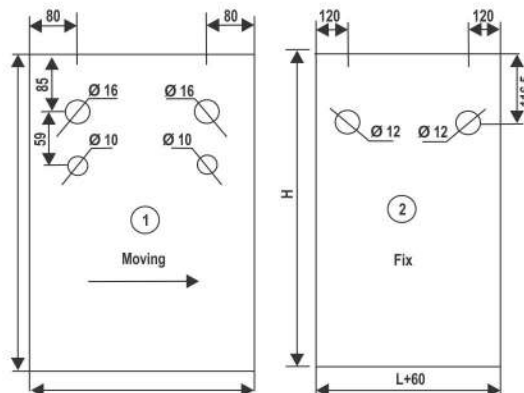
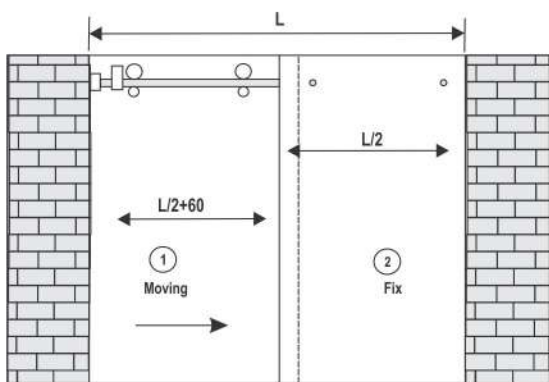
NSL-8
Track to Glass Connector



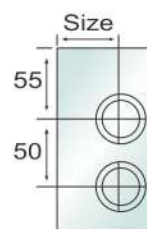
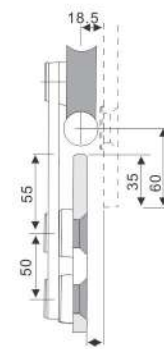
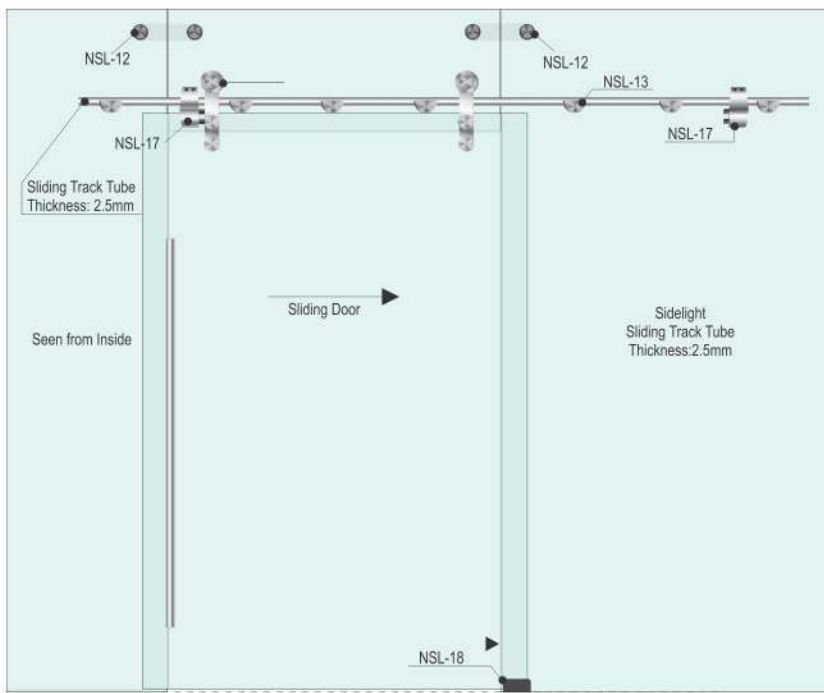
NSL-9
Track to Track Connector 90°

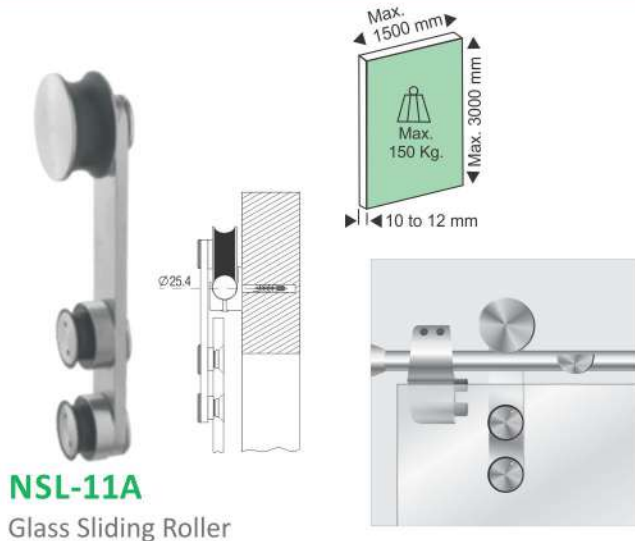


NKH-10
Sliding Track

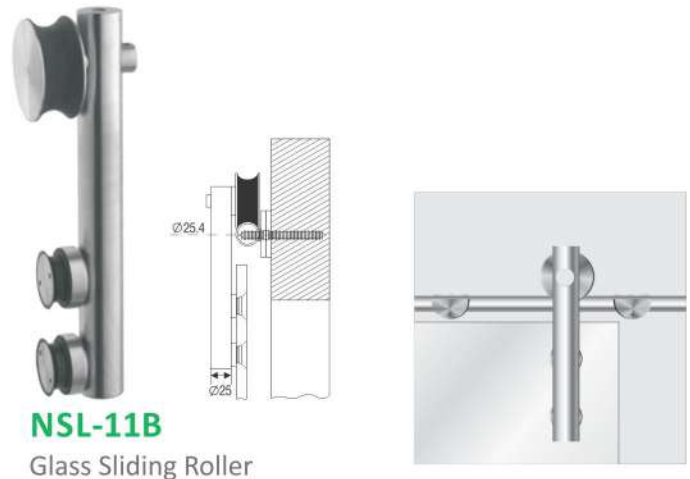


Sliding System

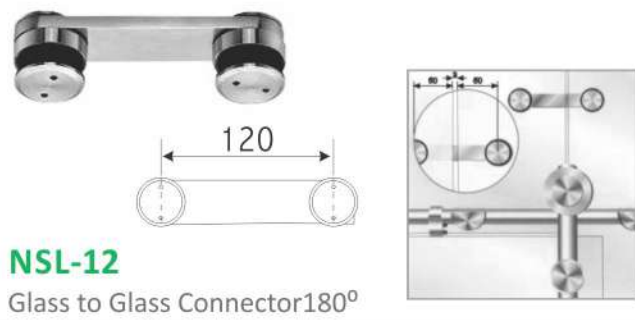




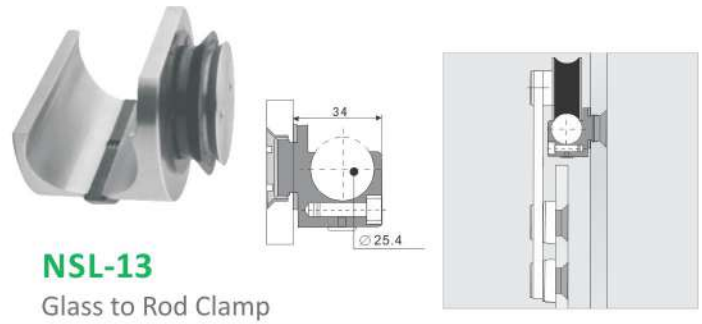
NSL-11A
Glass Sliding Roller



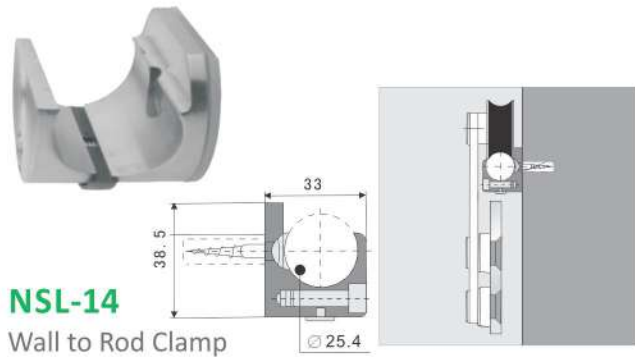
NSL-11B
Glass Sliding Roller



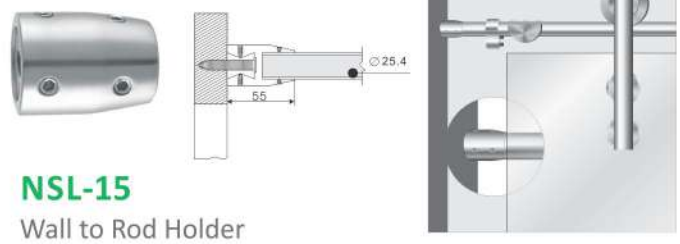
NSL-12
Glass to Glass Connector 180°



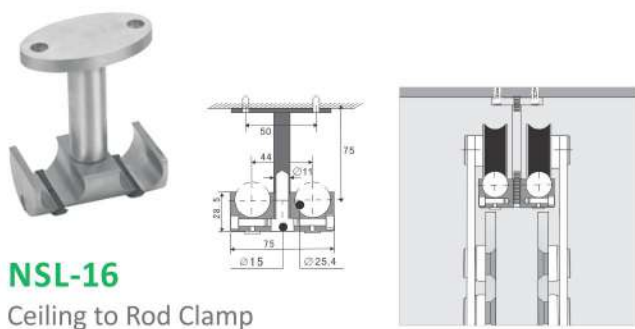
NSL-13
Glass to Rod Clamp



NSL-14
Wall to Rod Clamp



NSL-15
Wall to Rod Holder



NSL-16
Ceiling to Rod Clamp



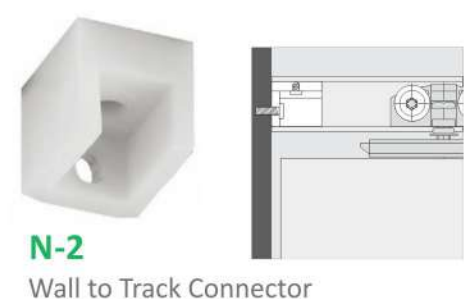
NSL-17
Door Stopper (L-R)



NFG-01
Sliding Door Floor Guide



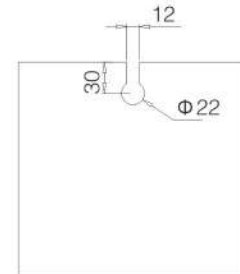
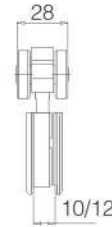
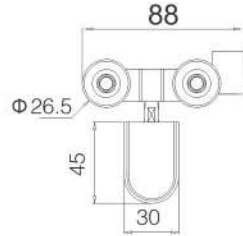
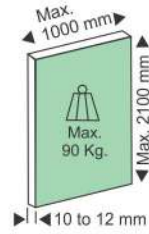
NSL-19
Sliding Track Tube



N-2
Wall to Track Connector

PRODUCT MODEL





Hole dimension of glass

NSL-44-A1

Glass Sliding Roller



NSL-44-A1

Glass Sliding Roller



N-01

Track to Wall Bracket



NFG-02

Floor Guide



N-07

Track Cover Cap
Aluminium



N-08

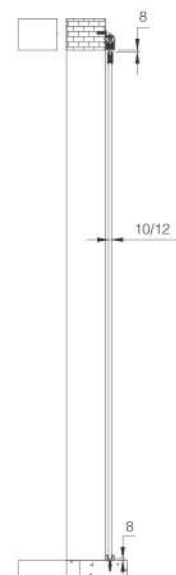
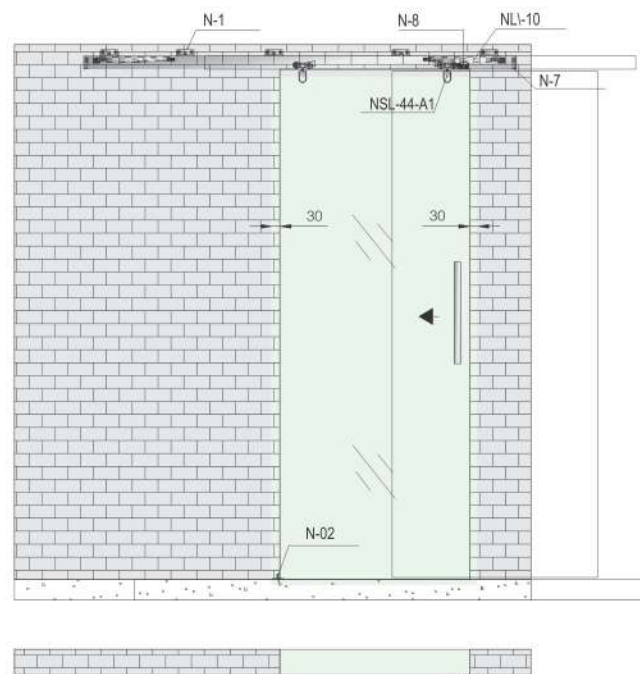
Sliding Door Stopper
Aluminium



N-10

Soft Closer
Nylon+Aluminium

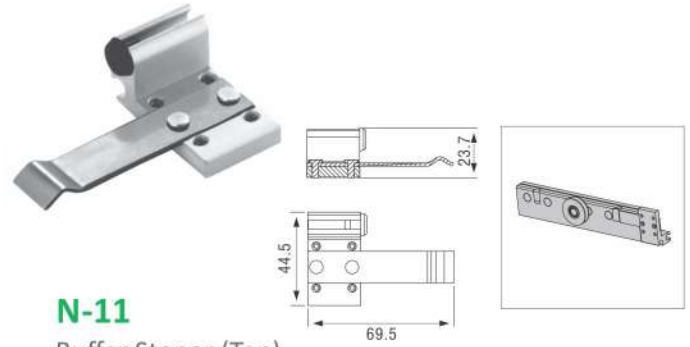
INSTALLATION PLAN







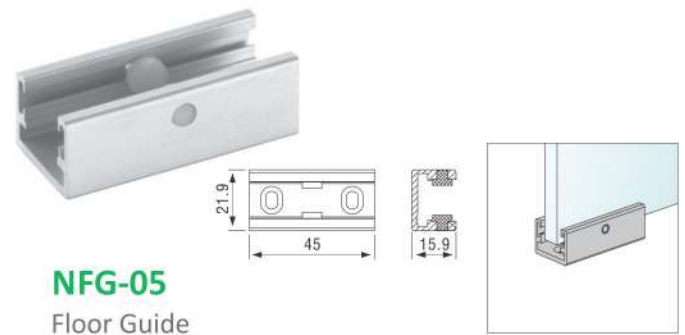
NSL-44-A2
Glass Sliding Roller



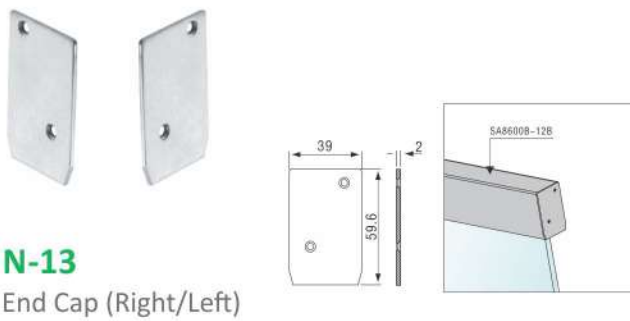
N-11
Buffer Stopper (Top)



N-12
Buffer Stopper (Bottom)



NFG-05
Floor Guide

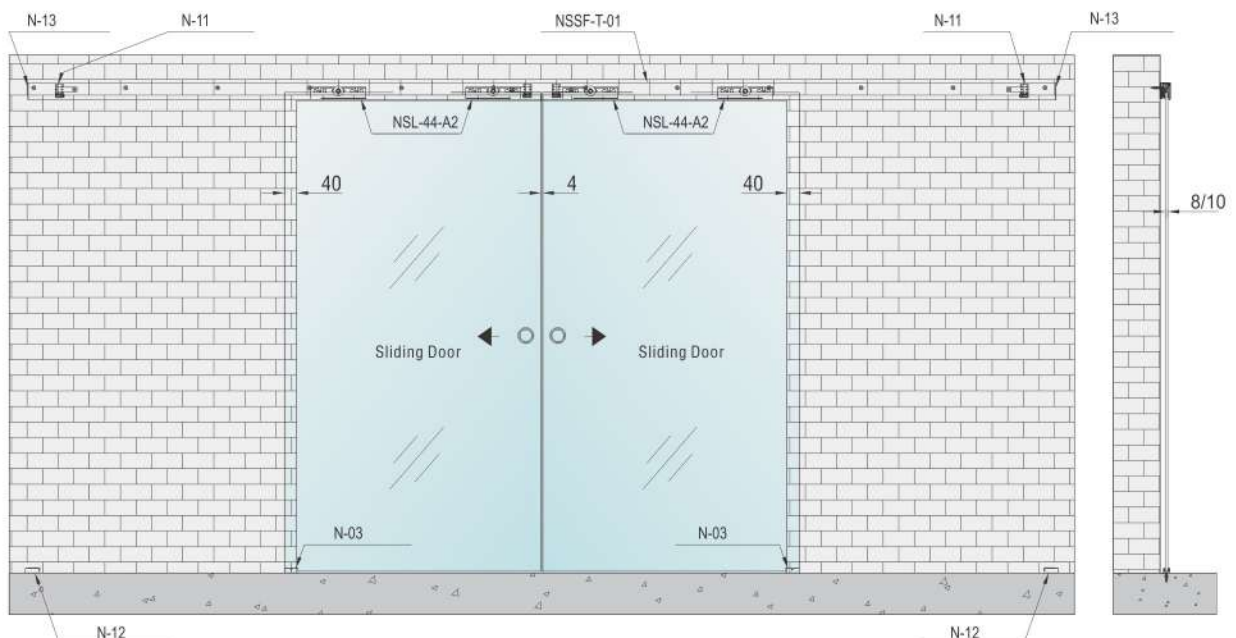


N-13
End Cap (Right/Left)



NSSF-T-01
Sliding Track (U Channel)

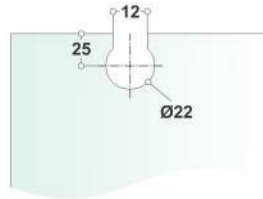
INSTALLATION PLAN



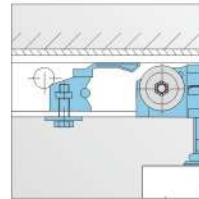




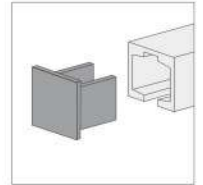
NSL-44-A3
Glass Door Sliding Roller
Material : SS 304



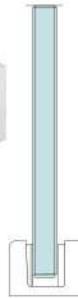
N-04
Wall to Door Stopper



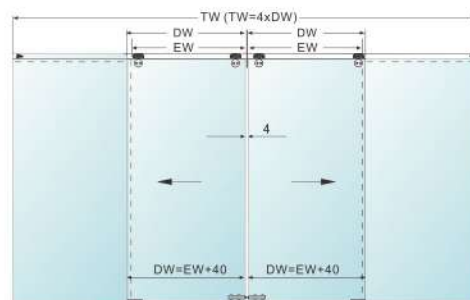
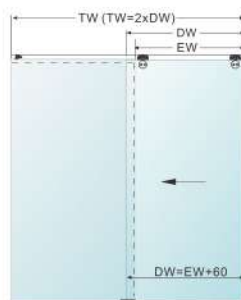
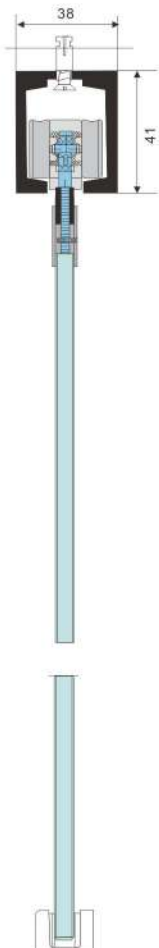
N-05
Single Track end Cap



NSSF-T-03
Single Track



NGF-01
Single Door Floor Guide

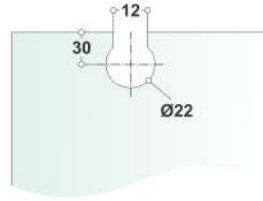


TW= Tube Length DW= Door Width EW= Entry Width
If you need to assemble the lock, please add the width according to the door width and add the needed size of the lock.

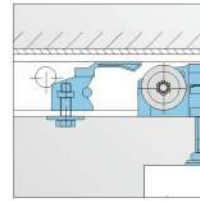




NSL-44-A4
Glass Door Sliding Roller
Material : Brass



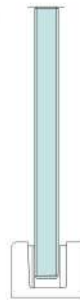
N-04
Wall to Door Stopper



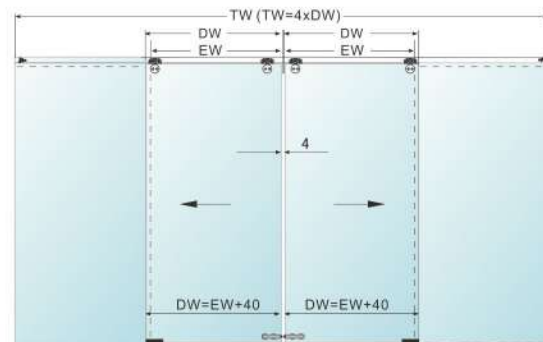
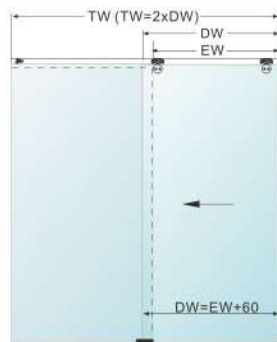
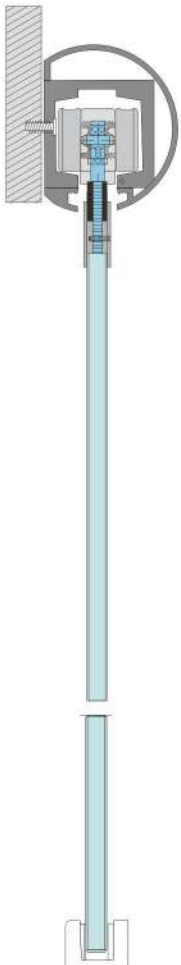
N-06
Single Track end Cap (L/R)



NSSF-T-02
Single Track



NFG-01
Single Door Floor Guide

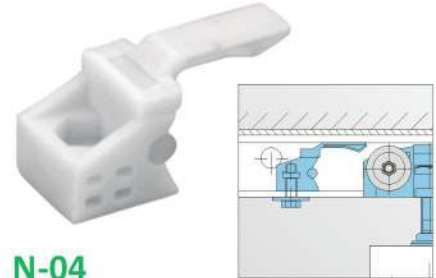
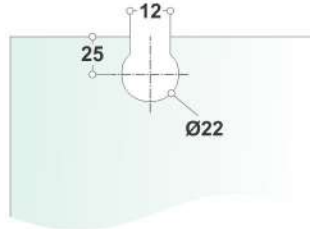


TW= Tube Length DW= Door Width EW= Entry Width
If you need to assemble the lock, please add the width according to the door width and add the needed size of the lock.





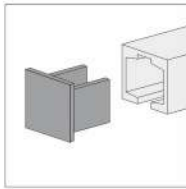
NSL-44-A5
Glass Door Sliding Roller
Square Shape (Brass)



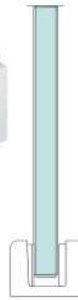
N-04
Wall to Door Stopper



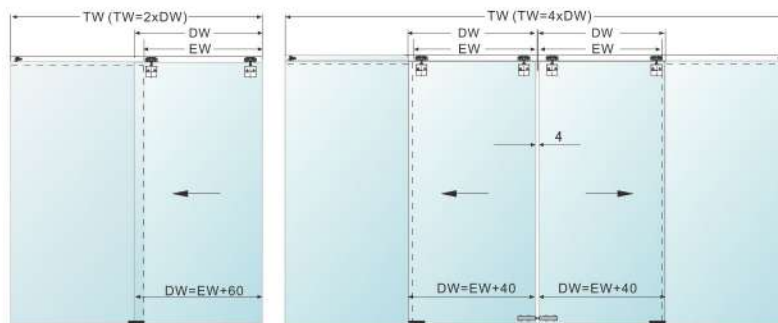
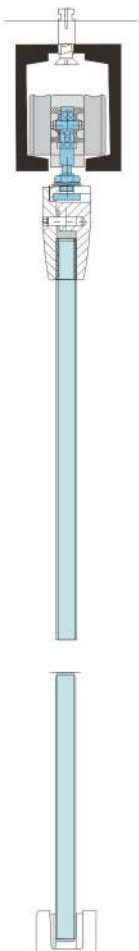
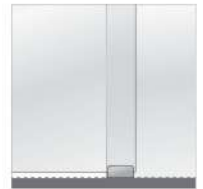
N-05
Single Track end Cap



NSSF-T-03
Single Track



NFG-01
Single Door Floor Guide

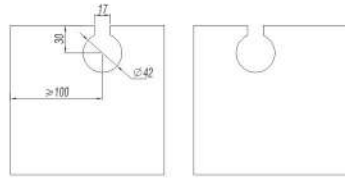
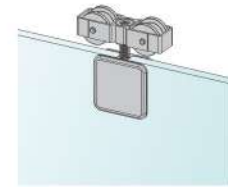
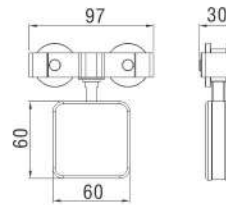


TW= Tube Length DW= Door Width EW= Entry Width
If you need to assemble the lock, please add the width according to the door width and add the needed size of the lock.

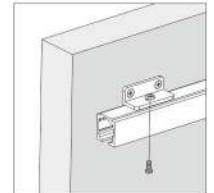




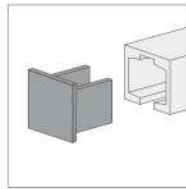
NSL-44-A6
Glass Door Sliding Roller



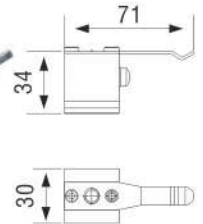
N-01
Track Mounting
Bracket wall to Track Fixer



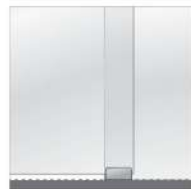
N-05
Single Track end Cap



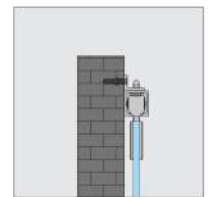
N-14
Sliding Door Stopper



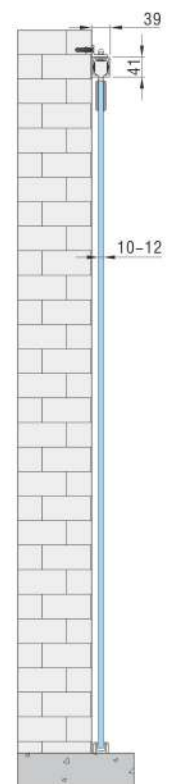
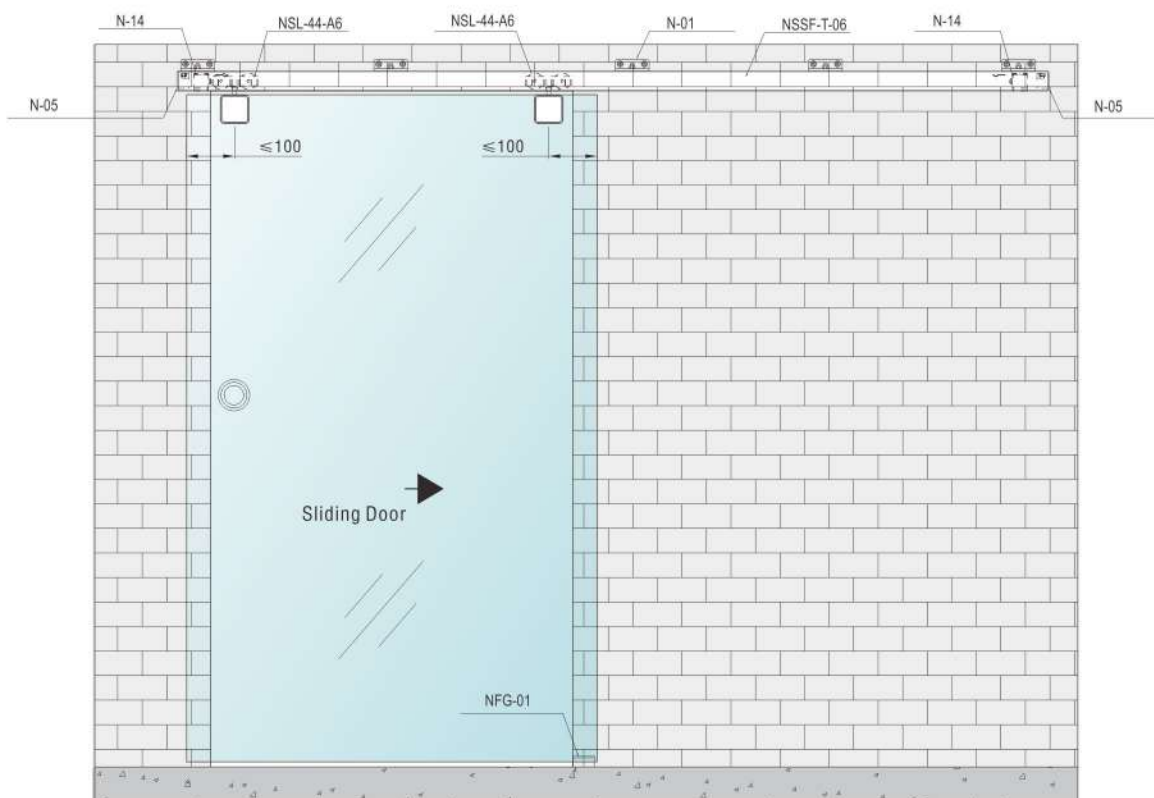
NFG-01
Single Door Floor Guide



NSSF-T-06
Single Track



INSTALLATION PLAN



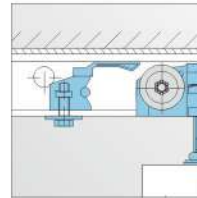
Sliding System



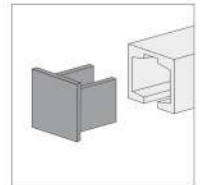
NSL-44-A7
Glass Sliding Roller



N-04
Wall to Door Stopper



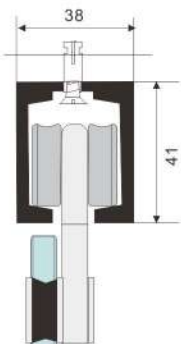
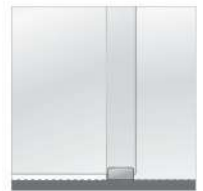
N-05
Single Track end Cap



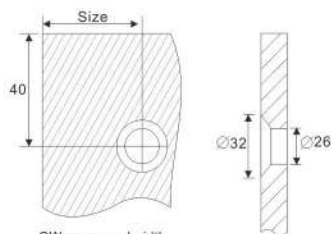
NSSF-T-03
Single Track



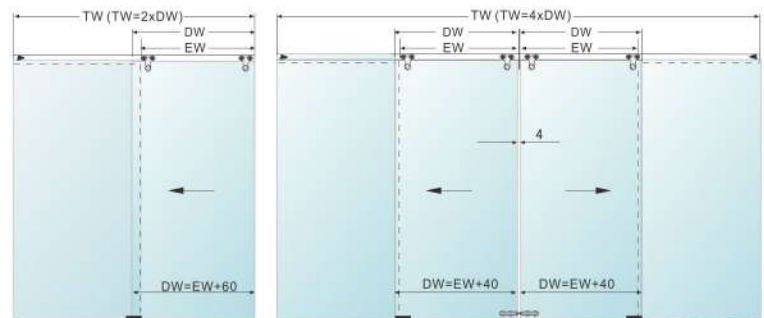
NFG-01
Single Door Floor Guide



Hole Dimension of Glass
as required by installation, size ≥ 110mm



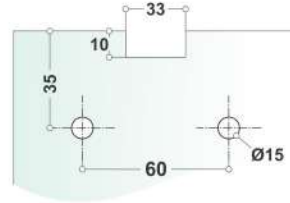
OW=overpanel width
SW=sidelight width
DW=door width



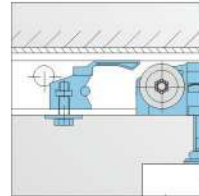
TW= Tube Length DW= Door Width EW= Entry Width
If you need to assemble the lock, please add the width according to the door width and add the needed size of the lock.



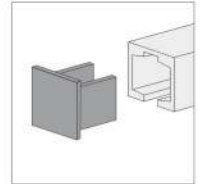
NSL-44-A8
Glass Door Sliding Roller
Rectangular Shape



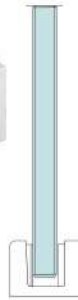
N-04
Wall to Door Stopper



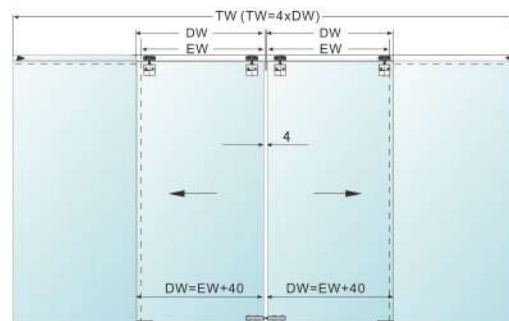
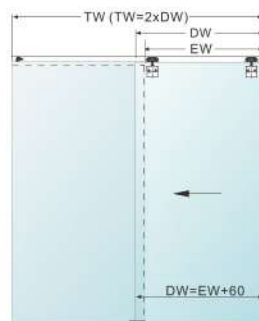
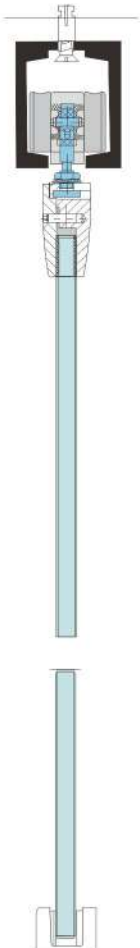
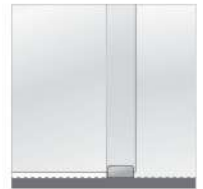
N-05
Single Track end Cap



NSSF-T-03
Single Track



NFG-01
Single Door Floor Guide

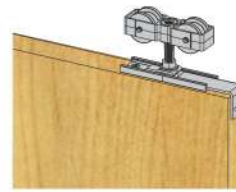
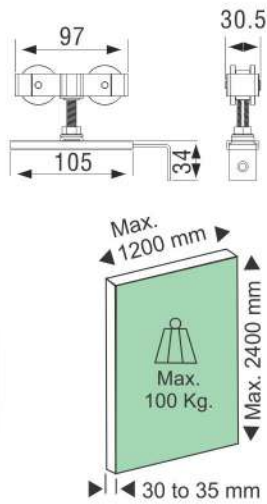


TW= Tube Length DW= Door Width EW= Entry Width
If you need to assemble the lock, please add the width according to the door width and add the needed size of the lock.





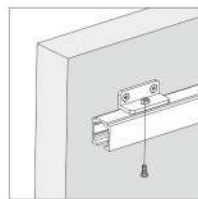
NSL-44-A9
Glass Door Sliding Roller



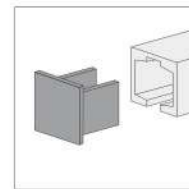
N-14
Sliding Door Stopper



N-01
Track Mounting
Bracket wall to Track Fixer



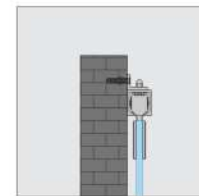
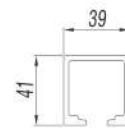
N-05
Single Track end Cap



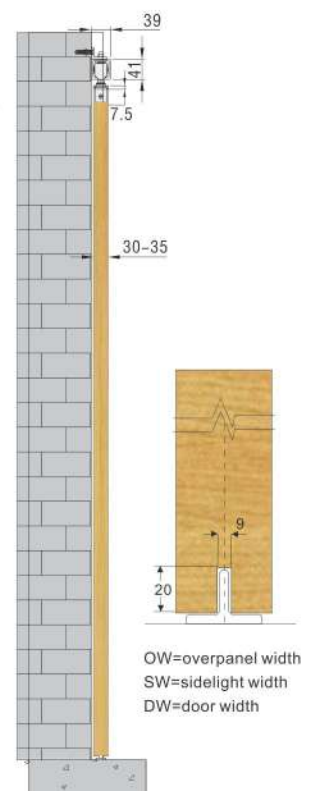
N-06
Lower Guide Block



NSSF-T-06
Single Track



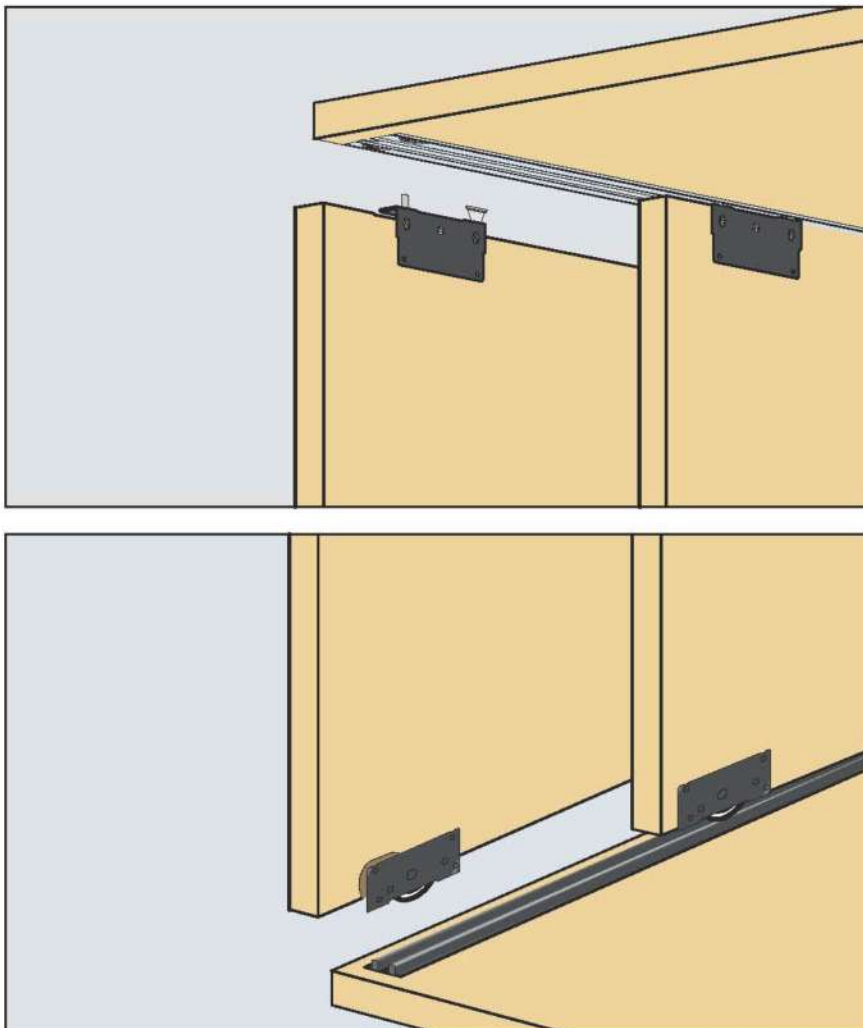
INSTALLATION PLAN





NWS-01

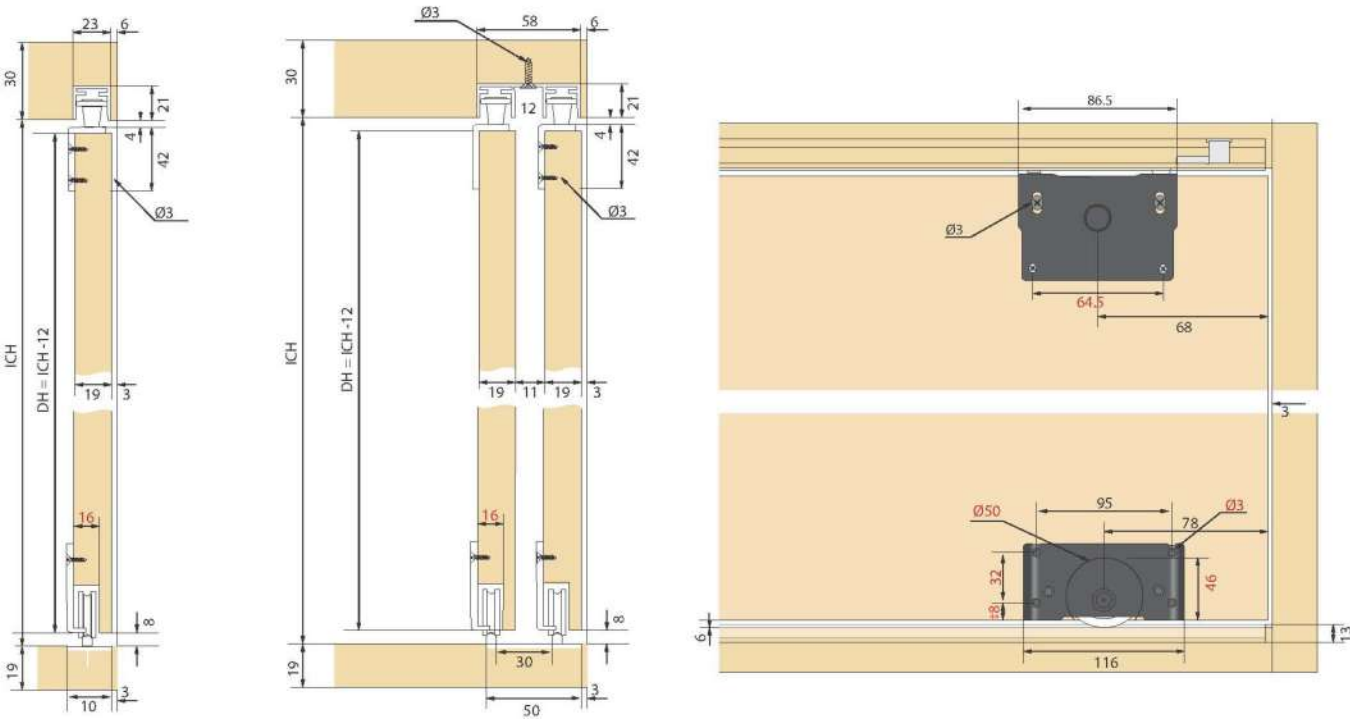
Wardrobe Sliding Roller



Features:

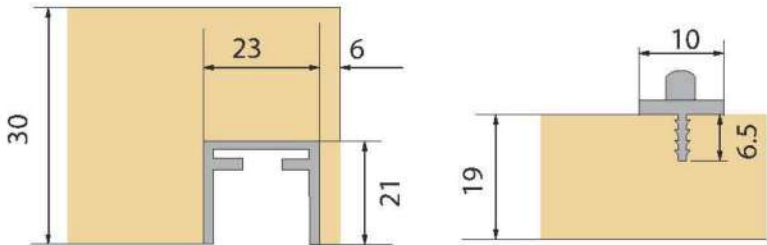
- Top & bottom track, groove mounted.
- Without fascia.
- With running gear for concealed fixing.
- For 1 wooden door.
- Maximum door weight : 90 kgs/panel.
- Material : PVC with nylon ball bearing.
- Finish : Grey

Moving Example



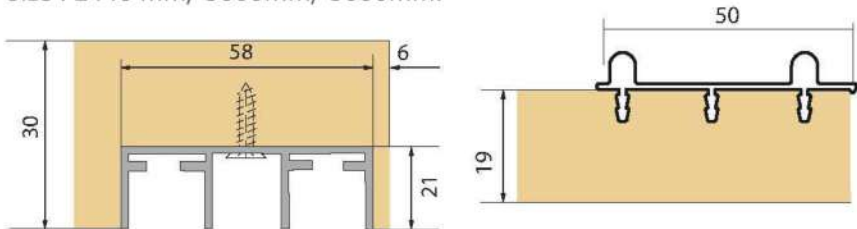
Aluminium anodized single top track with bottom track

Features :
Finish : Aluminium anodized.
Size : 2440 mm/ 3000mm.



Aluminium anodized double top track with bottom track

Features :
Finish : Aluminium anodized.
Size : 2440 mm/ 3000mm/ 3600mm.

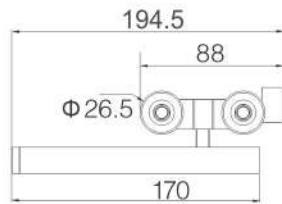




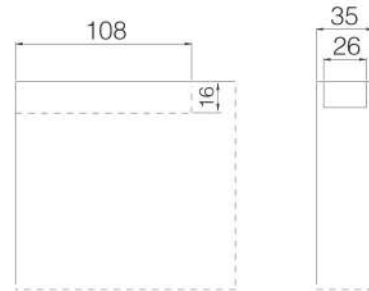
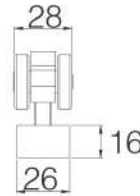


NSL-44-A10

Sliding Door Roller
Aluminium



Product dimension



slot dimension of timber door



N-01

Track to Wall Bracket



N-07

Track Cover Cap
Aluminium



N-08

Sliding Door Stopper
Aluminium



N-10

Soft Closer
Nylon+Aluminium



NSSF-T-07

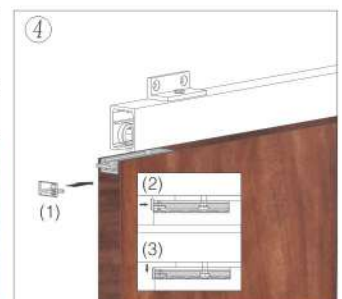
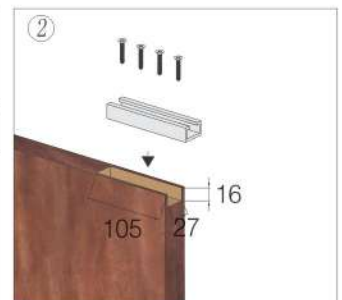
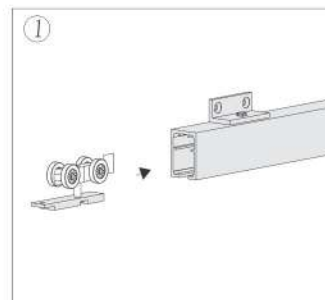
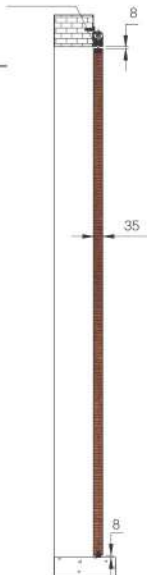
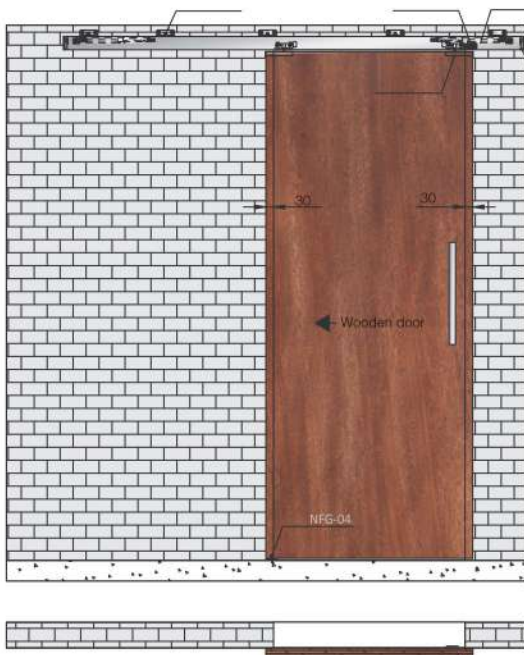
Single Track Aluminium



NFG-04

Sliding Door Guide

Installation Plan

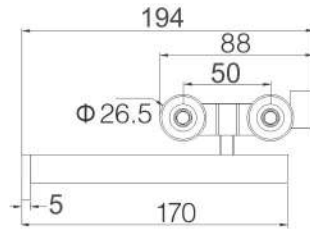


Sliding System

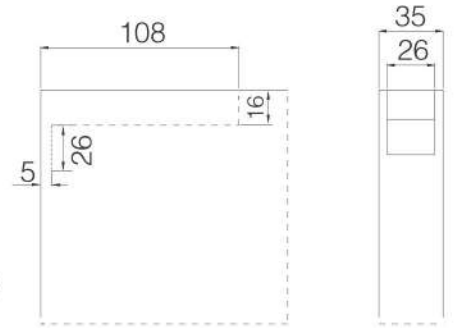
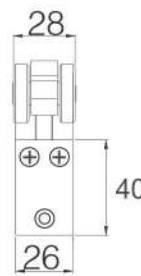


NSL-44-A11

Glass Door Sliding Roller
The maximum weight 150kg



Product dimension



slot dimension of timber door



N-01

Track to Wall Bracket



N-07

Track Cover Cap
Aluminium



N-08

Sliding Door Stopper
Aluminium



N-10

Soft Closer
Nylon+Aluminium



NSSF-T-07

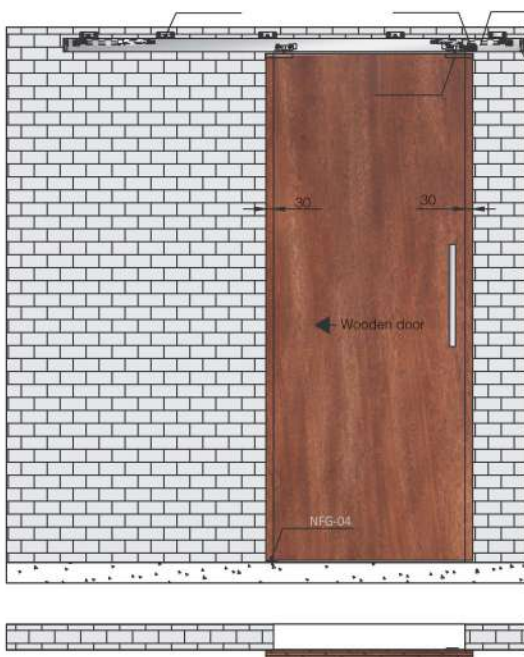
Single Track Aluminium



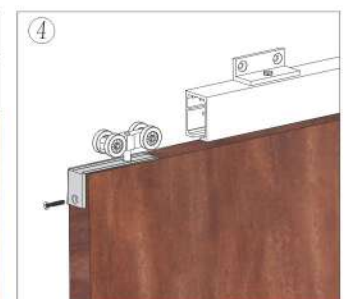
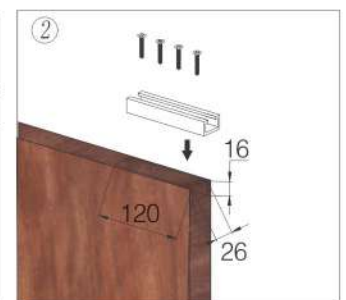
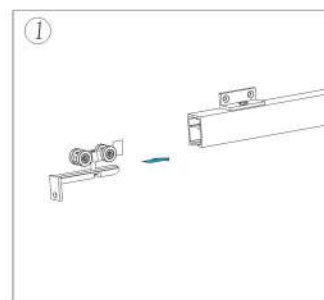
NFG-04

Sliding Door Guide

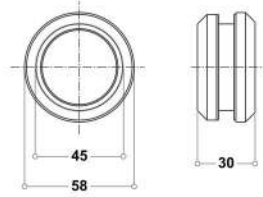
Installation Plan



Serviceentranc



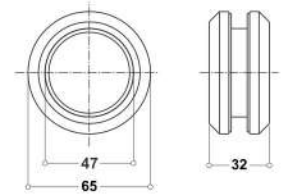




NSL-HN-50
Sliding Door Handle
(Round Small)

Available Finish
Satin / Glossy

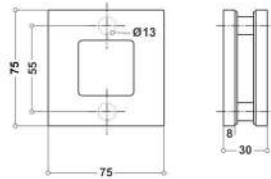
Material
Stainless Steel 304



NSL-HN-60
Sliding Door Handle
(Round Big)

Available Finish
Satin / Glossy

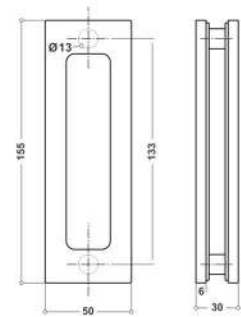
Material
Stainless Steel 304



NSL-HN-70
Sliding Door Handle
(Square)

Available Finish
Satin / Glossy

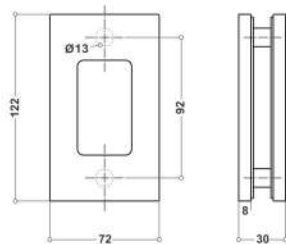
Material
Stainless Steel 304



NSL-HN-80
Sliding Door Handle
(Rectangle Big)

Available Finish
Satin / Glossy

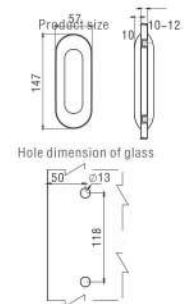
Material
Stainless Steel 304



NSL-HN-90
Sliding Door Handle
(Rectangle Small)

Available Finish
Satin / Glossy

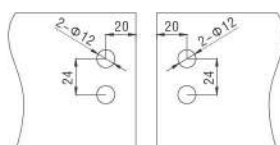
Material
Stainless Steel 304



NSL-HN-100
Sliding Door Handle
(Cupped Handle)

Available Finish
Satin / Glossy

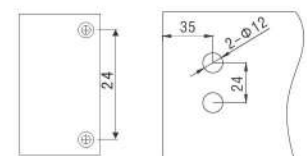
Material
Stainless Steel 304



NCFS-7
Glass to Glass
Connecting Hinge

Available Finish
Satin

Material
Stainless Steel 304 Grade



NCFS-8
Wall to Glass
Connecting Hinge

Available Finish
Satin

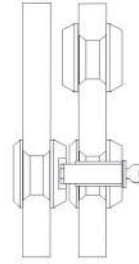
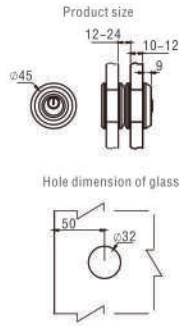
Material
Stainless Steel 304 Grade



NSSL-LK-G
Sliding Door Lock
(Glass to Glass)

Available Finish
Satin / Glossy

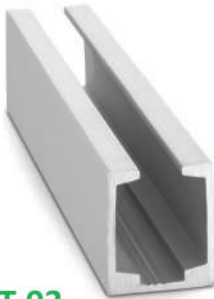
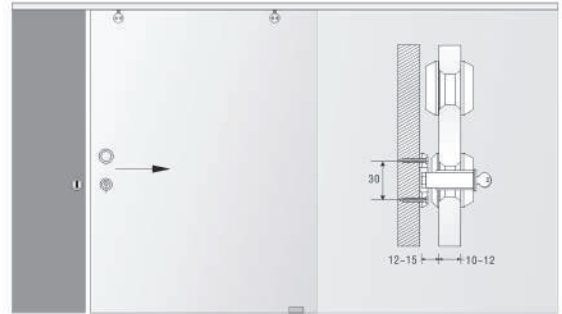
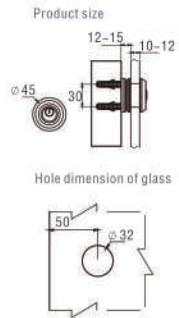
Material
Stainless Steel 304
Grade



NSSL-LK-W
Sliding Door Lock
(Wall to Glass)

Available Finish
Satin / Glossy

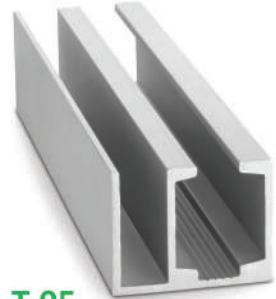
Material
Stainless Steel 304
Grade



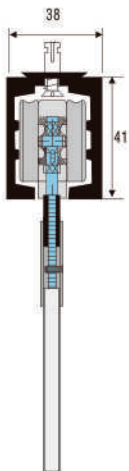
NSSF-T-03
Top Track for Only Door
Material
Aluminium Anodize



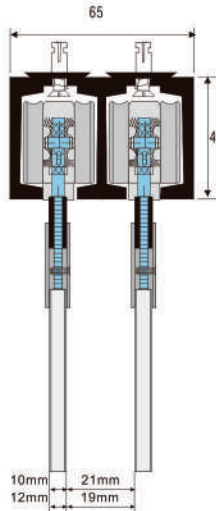
NSSF-T-04
Top Track for Double Door
Material
Aluminium Anodize



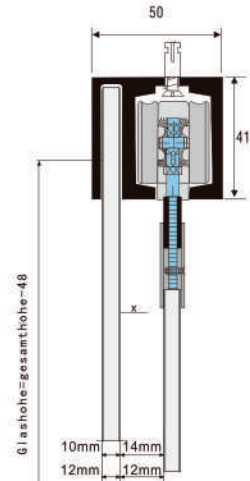
NSSF-T-05
Top Track for Door & Fixed Glass
Material
Aluminium Anodize



NSSF-T-1



NSSF-T-2



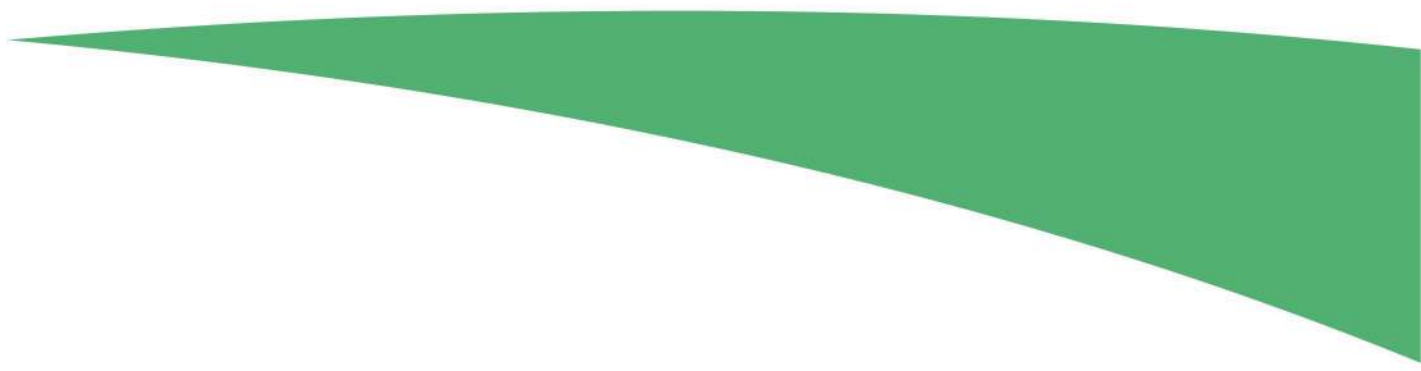
NSSF-T-3



NOZDAK High strength die-casting alloy Glass Door Locks. The product features beautiful and grand structure with reliable safeguarding performance. Suitable for tempered glass door 10-15mm thick. Three high-security keys for extra safety are provided for residential and commercial purposes.



Door Locks without Cutout





Door Locks without Cutout

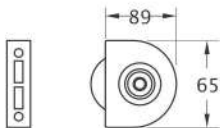
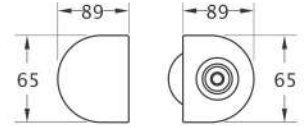


NLK-1
Double Door Lock (Only Key)

Available Finish
Satin Stainless Steel

Material
Stainless Steel

- Specification**
- One side key-Lock from outside only
 - Suitable for 10/12mm Glass
 - Glass preparation/cutout not required
 - With gasket to prevent glass from damage
 - With three bass computer key
 - Suitable for glass to glass



Available Finish
Satin Stainless Steel

Material
Stainless Steel

- Specification**
- One side key-Lock from outside only
 - Suitable for 10/12mm Glass
 - Glass preparation/cutout not required
 - With gasket to prevent glass from damage
 - With three bass computer key
 - Suitable for glass to Wall/fix structure



NLK-2
Single Door Lock (Only Key)

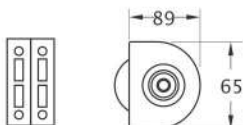
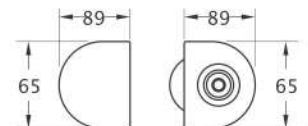


NLK-3
Double Door Lock (Key & Knob)

Available Finish
Satin Stainless Steel

Material
Stainless Steel

- Specification**
- One side key/one side knob
 - Suitable for 10/12mm Glass
 - Glass preparation/cutout not required
 - With gasket to prevent glass from damage
 - With three bass computer key
 - Suitable for glass to glass



Available Finish
Satin Stainless Steel

Material
Stainless Steel

- Specification**
- One side key/one side knob
 - Suitable for 10/12mm Glass
 - Glass preparation/cutout not required
 - With gasket to prevent glass from damage
 - With three bass computer key
 - Suitable for glass to Wall/fix structure



NLK-4
Single Door Lock (Key & Knob)

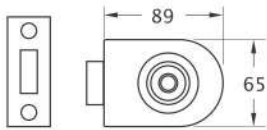
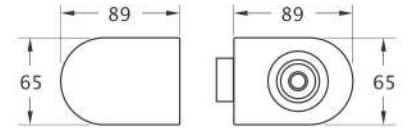


NLK-5
Double Door Lock (Only Key)

Available Finish
Satin Stainless Steel

Material
Stainless Steel

- Specification**
- One side key-Lock from outside only
 - Suitable for 10/12mm Glass
 - Glass preparation/cutout not required
 - With gasket to prevent glass from damage
 - With three bass computer key
 - Suitable for glass to glass



Available Finish
Satin Stainless Steel

Material
Stainless Steel

- Specification**
- One side key-Lock from outside only
 - Suitable for 10/12mm Glass
 - Glass preparation/cutout not required
 - With gasket to prevent glass from damage
 - With three bass computer key
 - Suitable for glass to Wall/fix structure



NLK-6
Single Door Lock (Only Key)

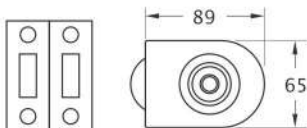
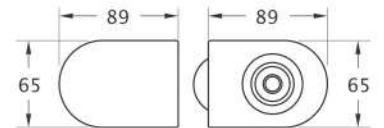


NLK-7
Double Door Lock (Key & Knob)

Available Finish
Satin Stainless Steel

Material
Stainless Steel

- Specification**
- One side key/one side knob
 - Suitable for 10/12mm Glass
 - Glass preparation/cutout not required
 - With gasket to prevent glass from damage
 - With three bass computer key
 - Suitable for glass to glass



Available Finish
Satin Stainless Steel

Material
Stainless Steel

- Specification**
- One side key/one side knob
 - Suitable for 10/12mm Glass
 - Glass preparation/cutout not required
 - With gasket to prevent glass from damage
 - With three bass computer key
 - Suitable for glass to Wall/fix structure



NLK-8
Single Door Lock (Key & Knob)

Door Locks without Cutout

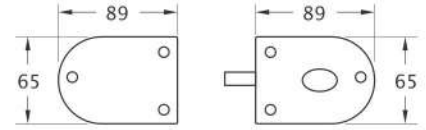


NLK-9
Double Door Lock (Only Knob)

Available Finish
Satin Stainless Steel

Material
Stainless Steel

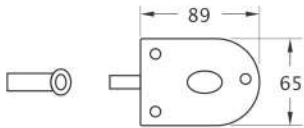
- Specification**
- One side knob only
 - Suitable for 10/12mm Glass
 - Glass preparation/cutout not required
 - With gasket to prevent glass from damage
 - With three bass computer key
 - Suitable for glass to glass



Available Finish
Satin Stainless Steel

Material
Stainless Steel

- Specification**
- One side knob only
 - Suitable for 10/12mm Glass
 - Glass preparation/cutout not required
 - With gasket to prevent glass from damage
 - With three bass computer key
 - Suitable for glass to Wall/fix structure



NLK-10
Single Door Lock (Only Knob)

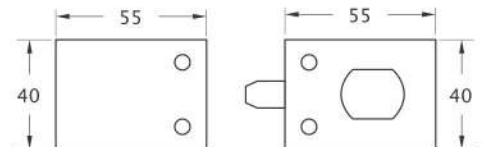


NLK-11
Double Door Lock (Only Knob)

Available Finish
Polished Stainless Steel

Material
Stainless Steel

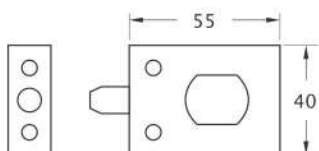
- Specification**
- One side knob only
 - Suitable for 10/12mm Glass
 - Glass preparation/cutout not required
 - With gasket to prevent glass from damage
 - With three bass computer key
 - Suitable for glass to glass



Available Finish
Polished Stainless Steel

Material
Stainless Steel

- Specification**
- One side knob only
 - Suitable for 10/12mm Glass
 - Glass preparation/cutout not required
 - With gasket to prevent glass from damage
 - With three bass computer key
 - Suitable for glass to Wall/fix structure



NLK-12
Single Door Lock (Only Knob)



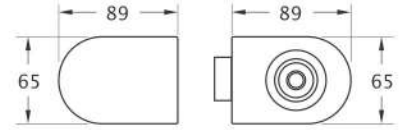
NLK-13 (Slot Type)

Mini Double Door Lock (Key & Knob)

Available Finish
Satin Stainless Steel

Material
Stainless Steel

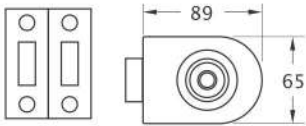
- Specification**
- One side key/one side knob
 - Suitable for 10/12mm Glass
 - Glass preparation/cutout not required
 - With gasket to prevent glass from damage
 - With three bass computer key
 - Suitable for glass to glass



Available Finish
Satin Stainless Steel

Material
Stainless Steel

- Specification**
- One side key/one side knob
 - Suitable for 10/12mm Glass
 - Glass preparation/cutout not required
 - With gasket to prevent glass from damage
 - With three bass computer key
 - Suitable for glass to Wall/fix structure



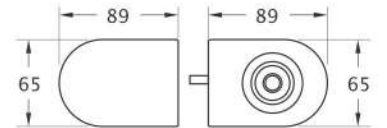
NLK-14 (Slot Type)

Mini Single Door Lock (Key & Knob)

Available Finish
Satin Stainless Steel

Material
Stainless Steel

- Specification**
- One side key/one side knob
 - Suitable for 10/12mm Glass
 - Glass preparation/cutout not required
 - With gasket to prevent glass from damage
 - With three bass computer key
 - Suitable for glass to glass



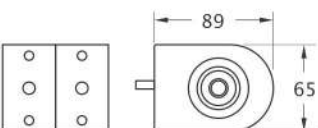
NLK-15 (Pin Type)

Mini Double Door Lock (Key & Knob)

Available Finish
Satin Stainless Steel

Material
Stainless Steel

- Specification**
- One side key/one side knob
 - Suitable for 10/12mm Glass
 - Glass preparation/cutout not required
 - With gasket to prevent glass from damage
 - With three bass computer key
 - Suitable for glass to Wall/fix structure



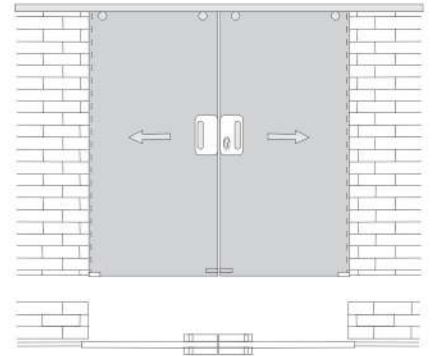
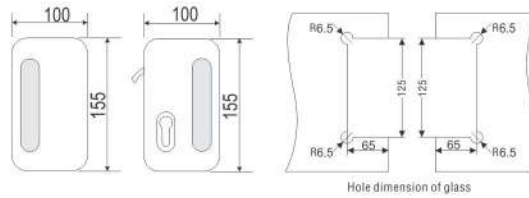
NLK-16 (Pin Type)

Mini Double Door Lock (Key & Knob)

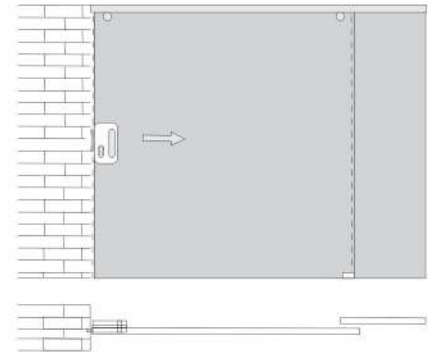
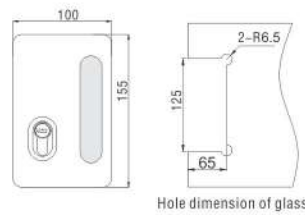
Glass Door Lock



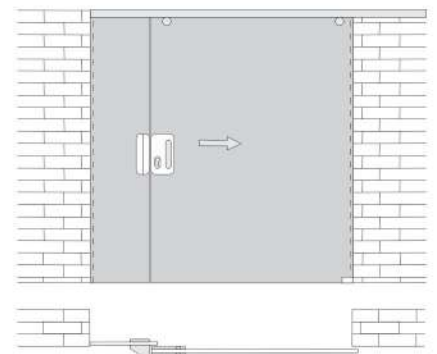
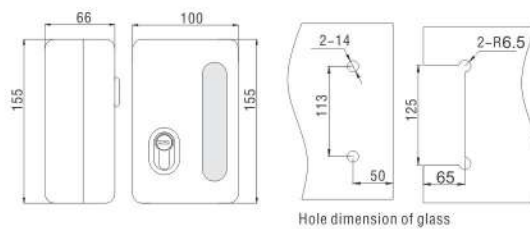
NSDL-13 A + 13 B
Sliding Door Lock + Strike Box



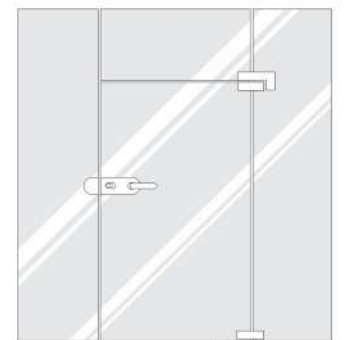
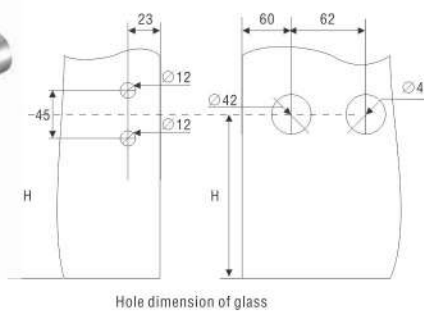
NSDL-13 A + 13 C
Sliding Door Lock + Strike Plate

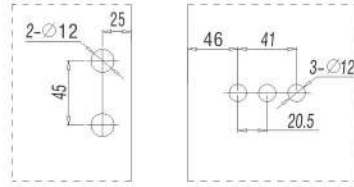


NSDL-13 A + 13 D
Sliding Door Lock + Strike Box for Over Lap Glass

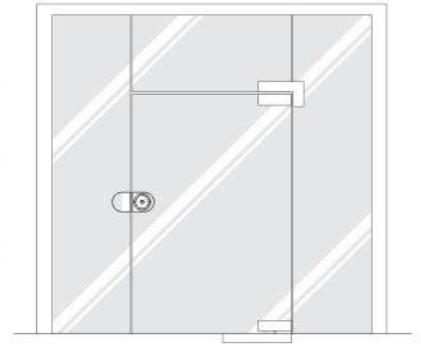


NSDL-14 A + 14 B
Glass Door Lock (Latch only) + Strike Box Short



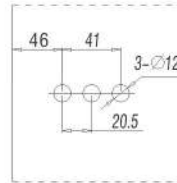


Hole dimension of glass

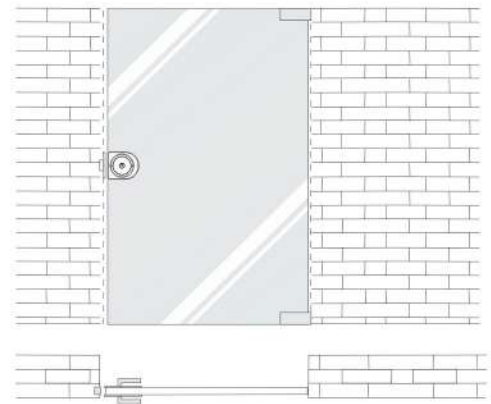


NSDL-15 A + 15 B

Glass Door Lock with cylinder and lever Handle + Glass Door keep with Handle

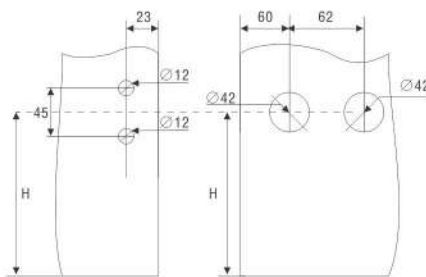


Hole dimension of glass

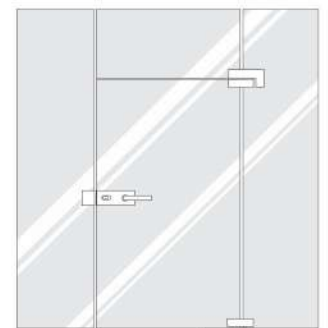


NSDL-15 A + 15 C

Glass Door Lock with cylinder and lever Handle + Strike Plate

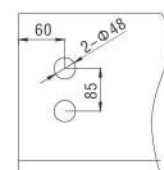


Hole dimension of glass

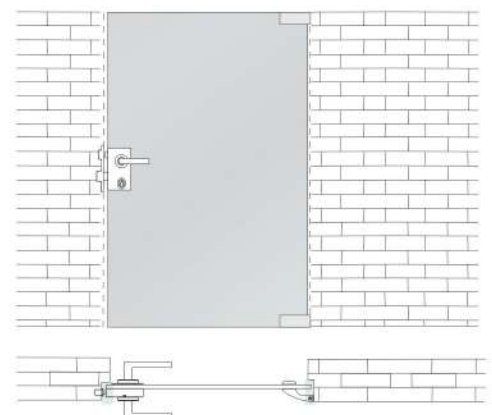


NSDL-16 A + 16 B

Glass Door Lock with cylinder and lever Handle + Strike Box Short

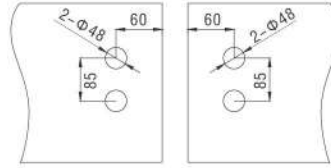


Hole dimension of glass

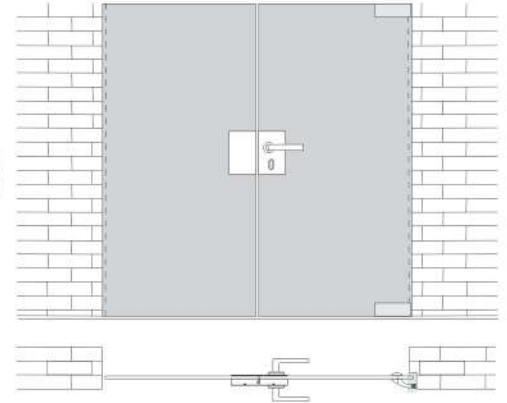


NSDL-17 A + 17 C

Pivot Door Lock with Pull Handle + Keep Box for wall



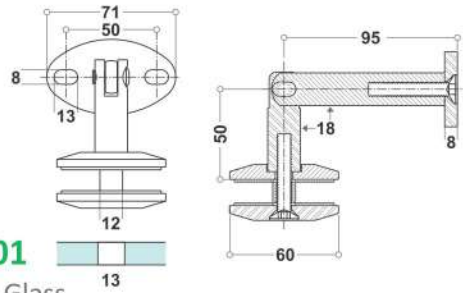
Hole dimension of glass



NSDL-17 A +17 B

Pivot Door Lock with Pull Handle + Keep Box for wall

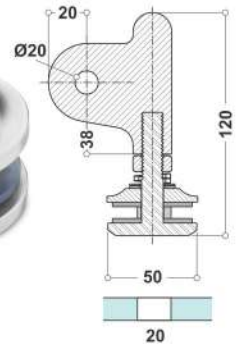




NCF-01
Wall to Glass

Available Finish
Satin / Glossy

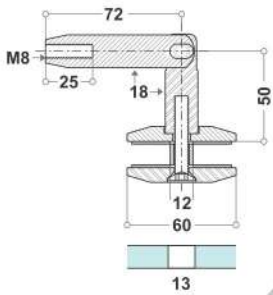
Material
Stainless Steel 304 Grade



NCF-04
Adjustable Glass Connector

Available Finish
Satin / Glossy

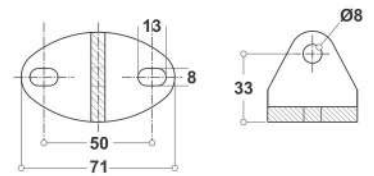
Material
Stainless Steel 304 Grade



NCF-02
Rod to Glass

Available Finish
Satin / Glossy

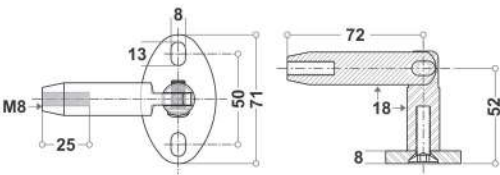
Material
Stainless Steel 304 Grade



NCF-05
Wall Connector

Available Finish
Satin / Glossy

Material
Stainless Steel 304 Grade



NCF-03
Wall to Rod

Available Finish
Satin / Glossy

Material
Stainless Steel 304 Grade



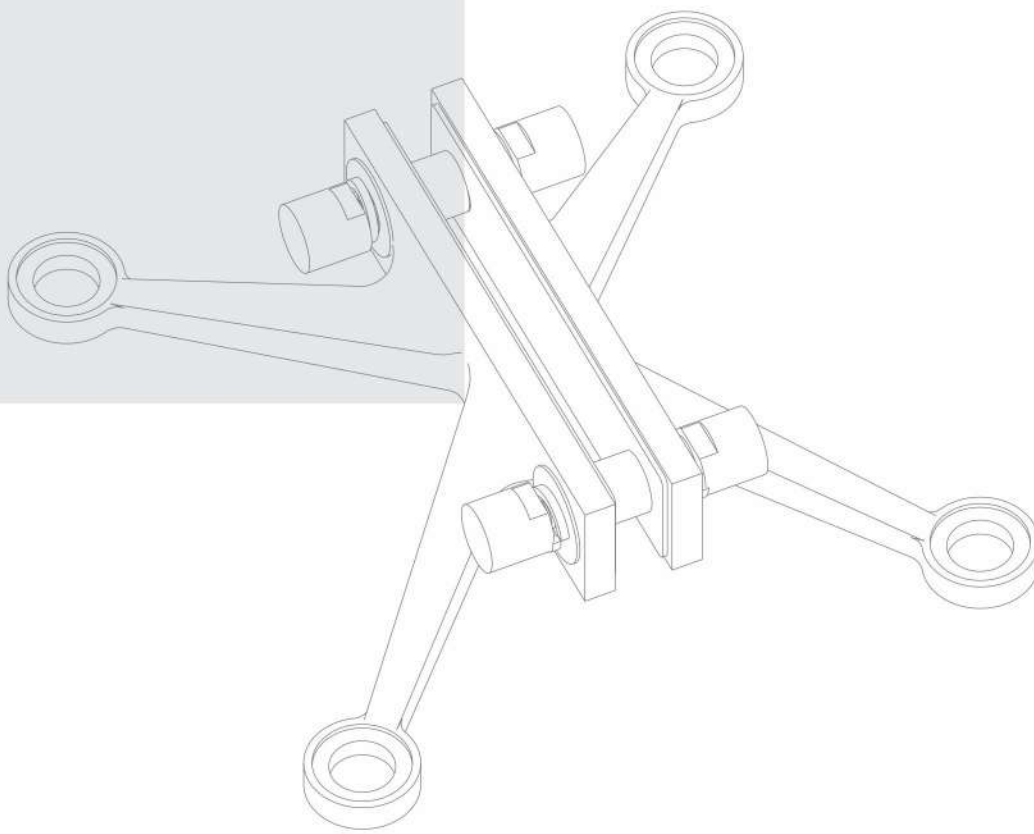
NCF-06
Connecting Rod

Available Finish
Satin / Glossy

Material
Stainless Steel 304 Grade



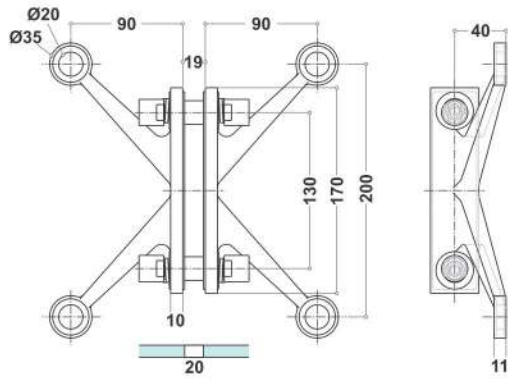
NOZDAK Spider Fittings, are designed and manufactured as per international Safety standard. We ensure a sturdy facade in most extreme conditions for both exterior and interior application.



Spider Fittings





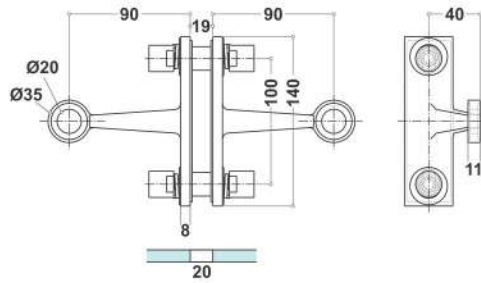


NSF-1

Four Way Fin Type Spider

Available Finish
Satin / Glossy

Material
Stainless Steel 316 Grade

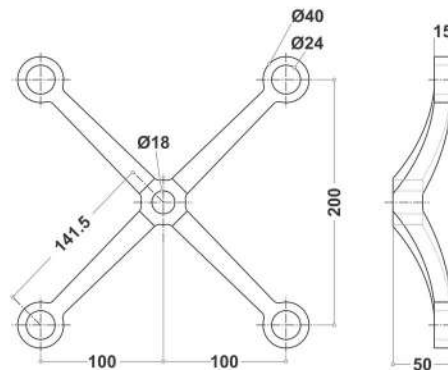


NSF-2

Two Way Fin Type Spider

Available Finish
Satin / Glossy

Material
Stainless Steel 316 Grade

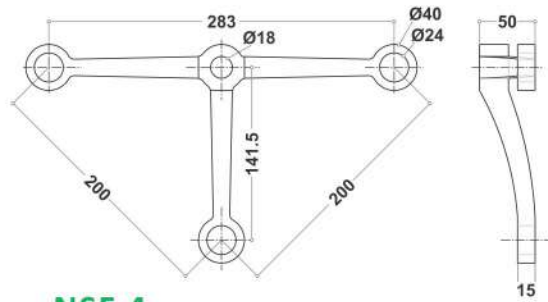


NSF-3

Four Way Point Type Spider

Available Finish
Satin / Glossy

Material
Stainless Steel 316 Grade

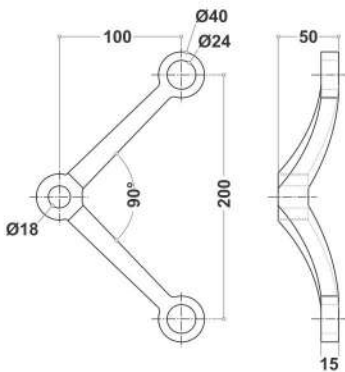


NSF-4

Three Way Point Type Spider

Available Finish
Satin / Glossy

Material
Stainless Steel 316 Grade



NSF-5

Two Way Point Type Spider 90°

Available Finish
Satin / Glossy

Material
Stainless Steel 316 Grade

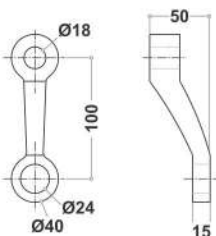
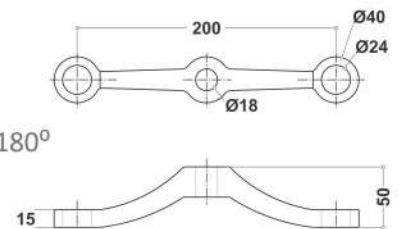


NSF-6

Two Way Point Type Spider 180°

Available Finish
Satin / Glossy

Material
Stainless Steel 316 Grade



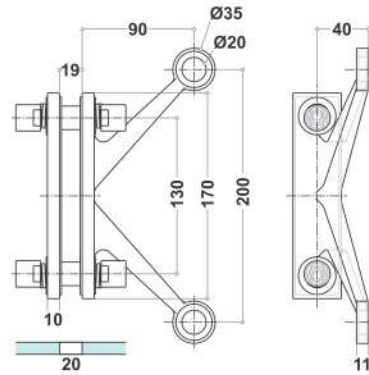
NSF-7

One Way Point Type Spider

Available Finish
Satin / Glossy

Material
Stainless Steel 316 Grade



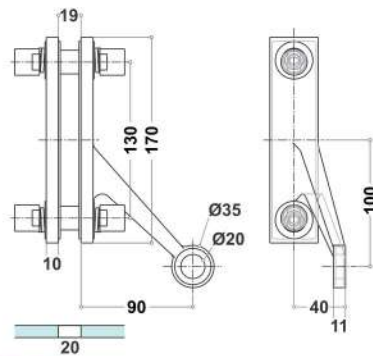


NSF-8

Two Way Fin Type Spider 90°

Available Finish
Satin / Glossy

Material
Stainless Steel 316 Grade

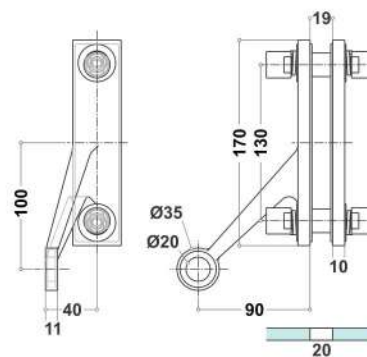


NSF-9

Two Way Fin Type Spider Right Side 45°

Available Finish
Satin / Glossy

Material
Stainless Steel 316 Grade

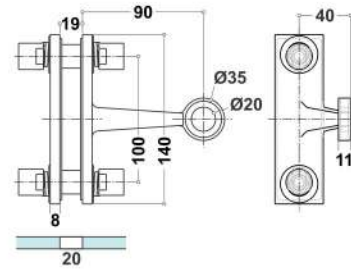


NSF-10

Two Way Fin Type Spider Left Side 45°

Available Finish
Satin / Glossy

Material
Stainless Steel 316 Grade

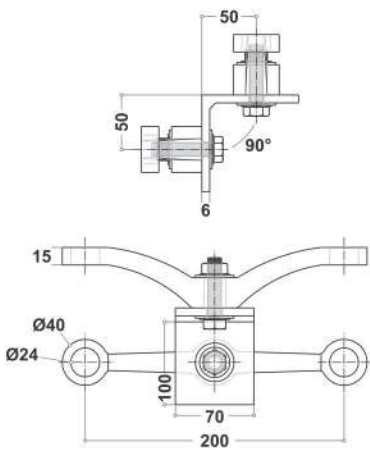


NSF-11

One Way Fin Type Spider 90°

Available Finish
Satin / Glossy

Material
Stainless Steel 316 Grade



NSF-12

Four Way Spider 90°

Available Finish
Satin / Glossy

Material
Stainless Steel 316 Grade

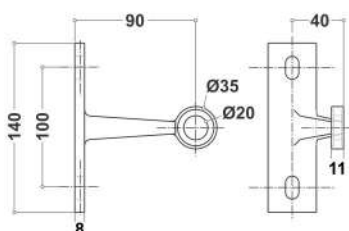
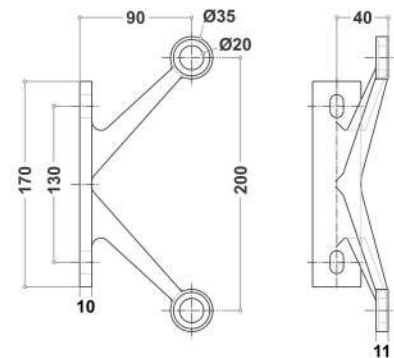


NSF-13

Two Way Spider

Available Finish
Satin / Glossy

Material
Stainless Steel 316 Grade



NSF-14

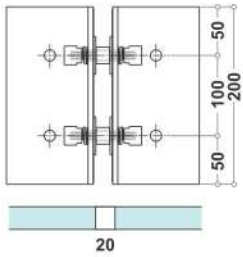
One Way Spider

Available Finish
Satin / Glossy

Material
Stainless Steel 316 Grade



Fin Plates



NFP-200

Fin Plate (200mm)

Available Finish
Satin / Glossy

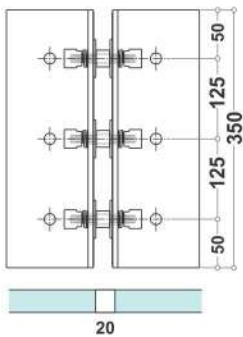
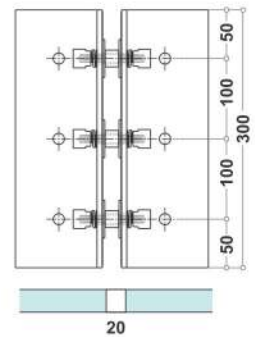
Material
Stainless Steel 304 Grade

NFP-300

Fin Plate (300mm)

Available Finish
Satin / Glossy

Material
Stainless Steel 304 Grade

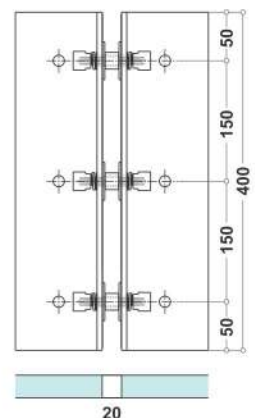


NFP-350

Fin Plate (350mm)

Available Finish
Satin / Glossy

Material
Stainless Steel 304 Grade

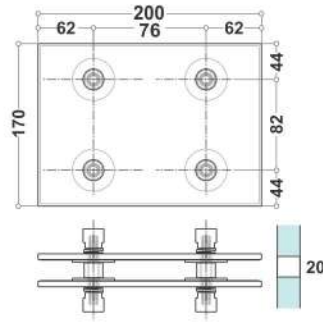


NFP-400

Fin Plate (400mm)

Available Finish
Satin / Glossy

Material
Stainless Steel 304 Grade



NSP-200 Splice Plate (200mm)

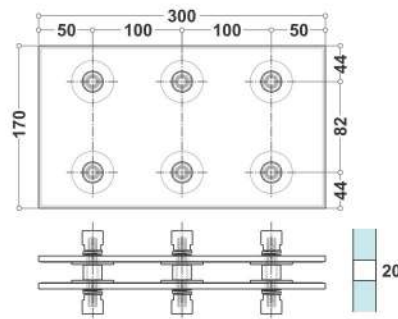
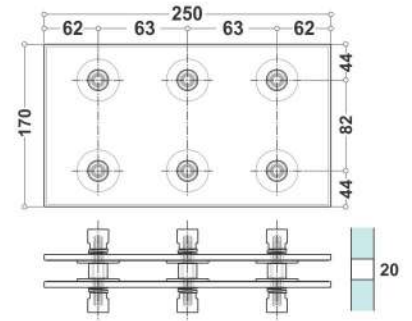
Available Finish
Satin / Glossy

Material
Stainless Steel 304 Grade

NSP-250 Splice Plate (250mm)

Available Finish
Satin / Glossy

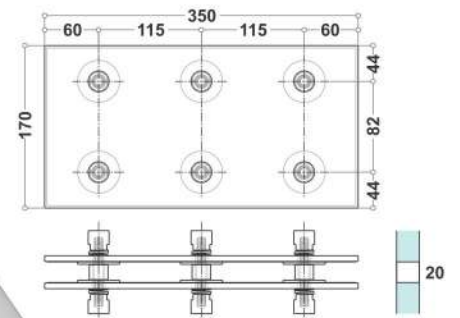
Material
Stainless Steel 304 Grade



NSP-300 Splice Plate (300mm)

Available Finish
Satin / Glossy

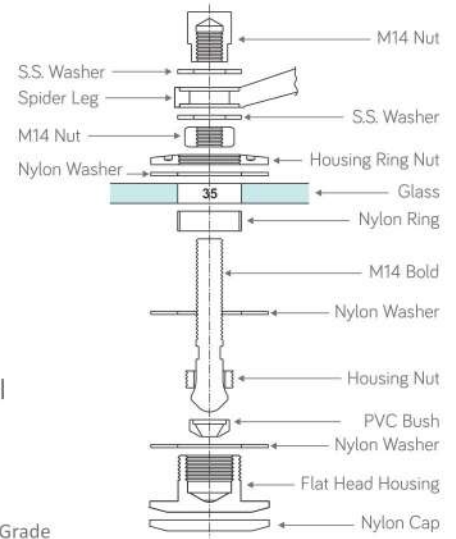
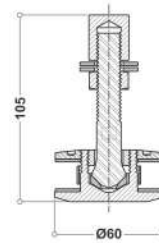
Material
Stainless Steel 304 Grade



NSP-350 Splice Plate (350mm)

Available Finish
Satin / Glossy

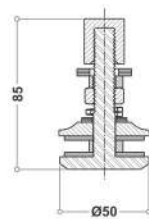
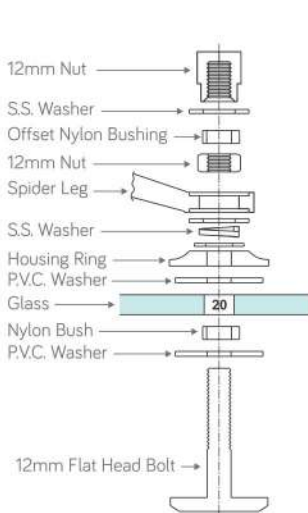
Material
Stainless Steel 304 Grade



NAR-01
Articulated Rousel

Available Finish
Satin / Glossy

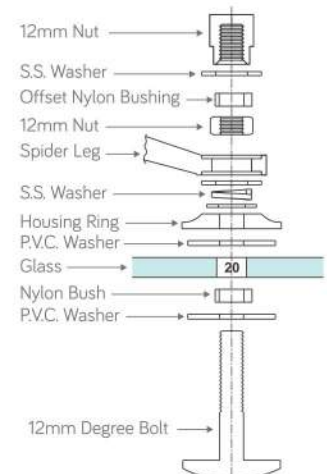
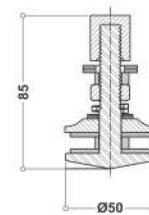
Material
Stainless Steel 304 Grade



NAR-02
Fixed Head Rousel (Flat Head)

Available Finish
Satin / Glossy

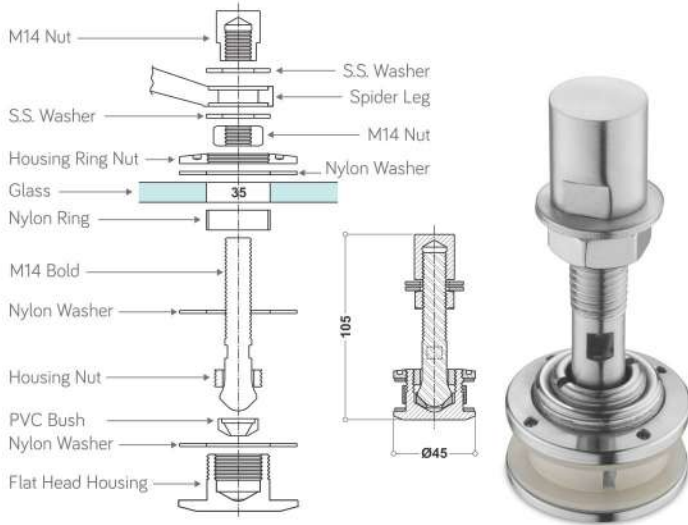
Material
Stainless Steel 304 Grade



NAR-03
Fixed Head Rousel

Available Finish
Satin / Glossy

Material
Stainless Steel 304 Grade

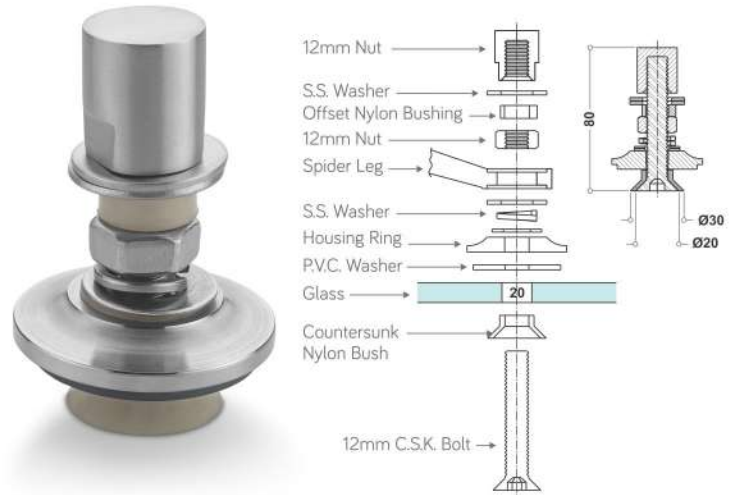


NAR-04

Articulated Routel

Available Finish
Satin / Glossy

Material
Stainless Steel 304 Grade

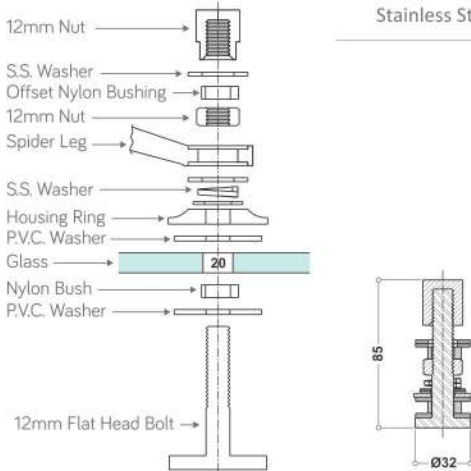


NAR-05

Counter Sunk Routel

Available Finish
Satin / Glossy

Material
Stainless Steel 304 Grade



NAR-06

Fixed Head Routel

Available Finish
Satin / Glossy

Material
Stainless Steel 304 Grade



NAR-07

Point Type Spider Fitting Bolt

Available Finish
Satin / Glossy

Material
Stainless Steel 304 Grade

Glass Railing Accessories

Material : SS 304



NRA-2
Spigot



NRA-3
Spigot



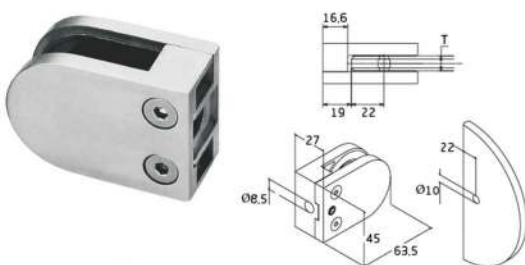
NRA-4
Glass to Hand Rail (Square)



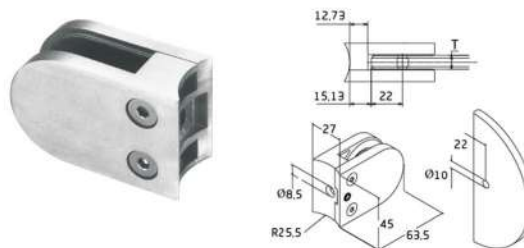
NRA-5
Wall to Hand Rail



NRA-6
Glass to Hand Rail (Round)



NRA-7 (Flat Type)
U Shape Railing Connector

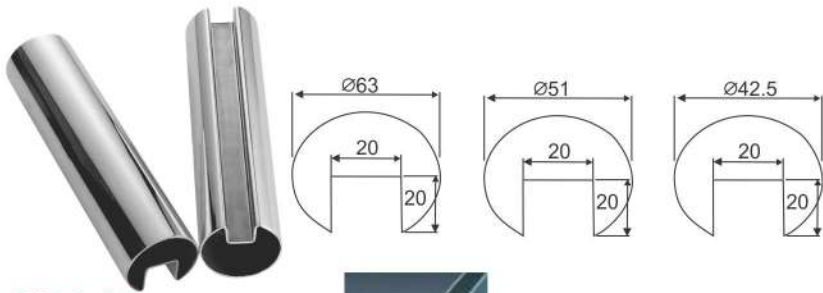


NRA-8 (Curve Type)
U Shape Railing Connector



NRA-9
Railing Stud





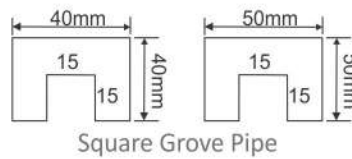
NRA-10

Single Groove Round Pipe
Slot Size 15mmx15mm
Available in 6mtr. Length
Ø 50.8mm

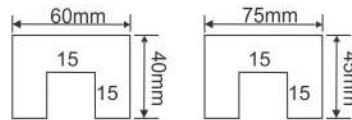


NRA-13

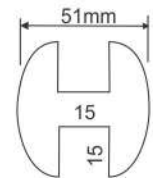
Single Slotted
Slot Size 15mmx15mm
Available in 6mtr. Length
Ø 40x600mm



Square Groove Pipe

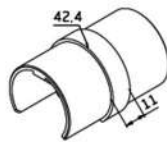


Rectangle Groove Pipe



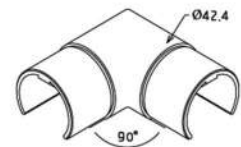
NRA-11

Double Groove Slotted Round Pipe
Slot Size 15mmx15mm
Available in 6mtr. Length
Ø 50.8mm



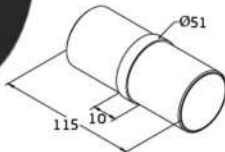
NRA-14

Slotted Pipe Joints (180°)



NRA-15

Slotted Pipe Joints (90°)



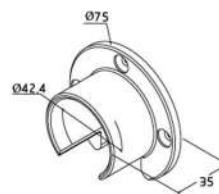
NRA-17

Straight Pipe Joints (180°)



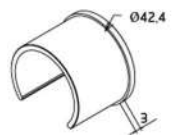
NRA-18

Wall to Pipe Joints



NRA-19

Slotted Pipe End Cap



NRA-20

Julla



NRA-21

Pipe to Glass Solid Casted



NRA-22

Pipe to Glass Solid



NRA-23

Solid



Bracket Shelf Holder



NBSH-1
Double Shelf Holder
(10-12mm Glass)



NBSH-2
Single Shelf Holder
(10-12mm Glass)



NBSH-3
F-Type Shelf Holder
(6-12mm Glass)

Mini Hinge



NMH-1
Wall to Glass Hinge
SS 304 (5-10mm Glass)



NMH-2
Glass to Glass Hinge
SS 304 (5-10mm Glass)



NMH-3
Wall to Glass Hinge
Zinc (5-10mm Glass)



NMH-4
Wall to Glass Hinge
Zinc without Hole (5-10mm Glass)



NMH-5
Wall to Glass Hinge
Brass (5-10mm Glass)



NMH-6
Glass to Glass Hinge
Brass (5-10mm Glass)

Glass Lifter



NGL-2C
Glass Lifter with 2 Cups



NGL-3C
Glass Lifter with 3 Cups



Door Closer

Nozpak door closer body is manufactured from superior quality aluminum extruded section form body with ensure excellent strength, corrosion resistance and good formability

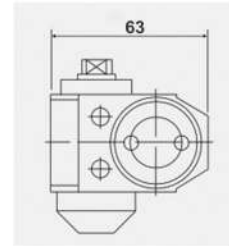
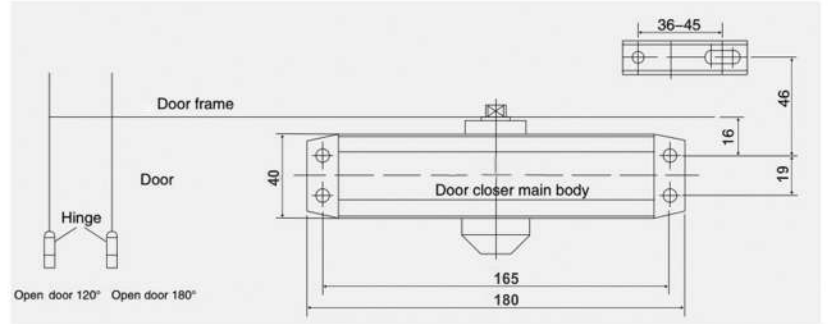


NDC-101

Door Closer

Specifications

- applicable door width : 500-1000mm
- applicable door weight upto 45kg

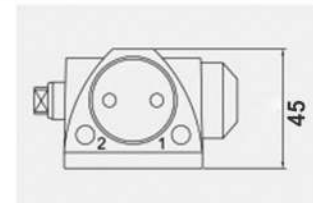
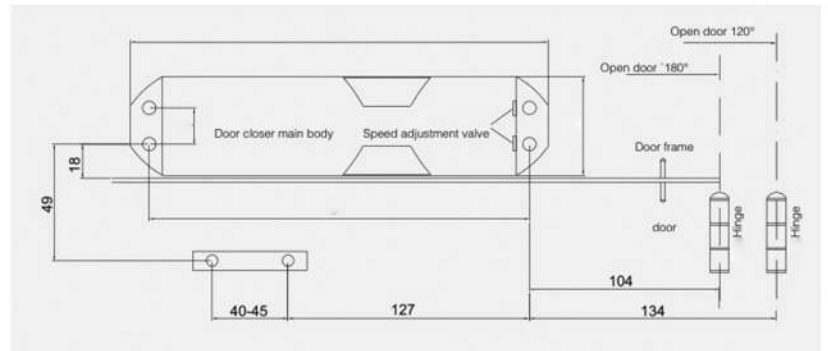


NDC-102

Door Closer

Specifications

- applicable door width : 800-1100mm
- applicable door weight upto 60g

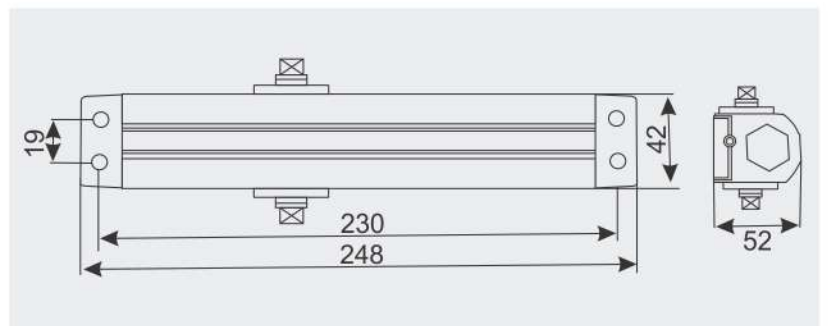


NDC-103

Door Closer

Specifications

- applicable door width : 1000-1200mm
- applicable door weight upto 60kg



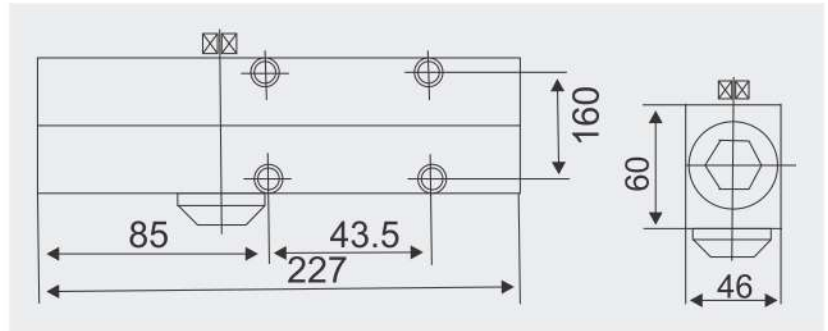


NDC-104

Door Closer

Specifications

- applicable door width : 500-1000mm
- applicable door weight upto 45kg

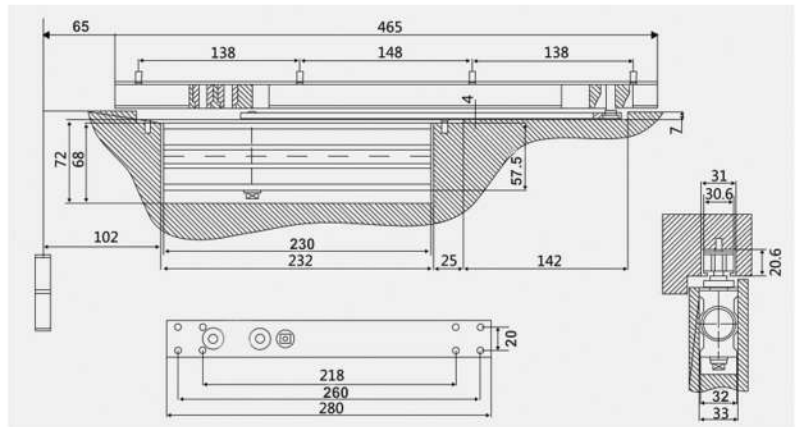


NDC-105

Surface Mounted Heavy Duty Model with Pelmet Arm

Specifications

- applicable door width : 900-1100mm
- applicable door weight upto 80kg

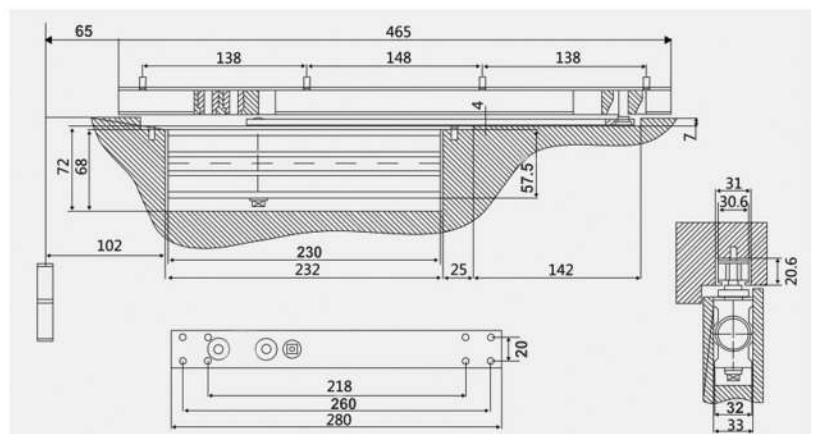


NDC-106

Concealed Door Closer

Specifications

- applicable door width : 1000-1200mm



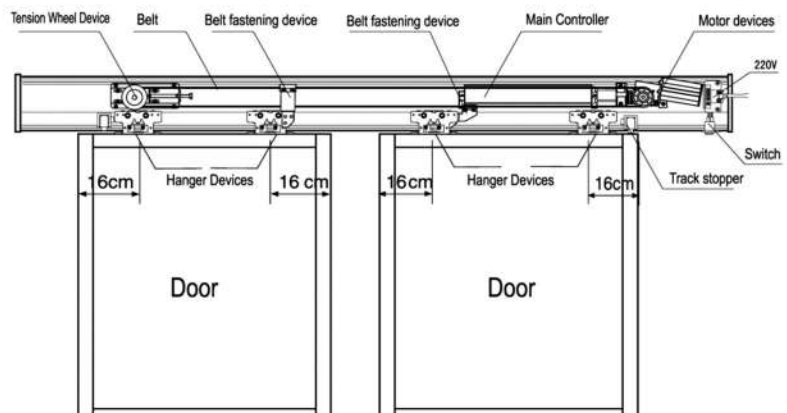
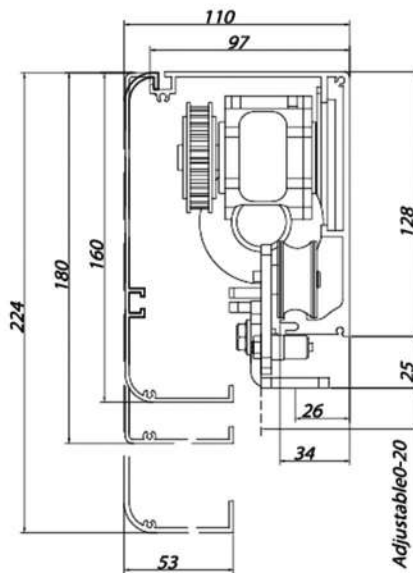
Automatic Sliding Sensor Door

NASD-01

Automatic Sliding Sensor Door



Drawing



Parts List

	Fitting	Quantity
Standard	Track	1 Pc (4.2m)
	Controller	1 Pc
	Motor	1 Pc
	Power Switch	1 Pc
	Toothed Belt	1 Pc (7m)
	Belt Connection	1 Set
	Remote Control	1 Pc
	Tension Wheel	1 Pc
	Sensor	2 Pc
	Stopper	2 Pc
Optional	Hanger	4 Pc
	Front Cover and Side Cover, Framed Glass Door and Frameless Glass Door	
	Electric Lock	
	Door Clamp	
	Infrared and Motion Sensor	
	Photocell	
	Battery	
Others		

Specification

Horizontal Pull	Single Door	Double Door
Leaf Weight	≤ 150 Kg	≤ 120° 2KG
Width of Door	700~1300mm	600~1250mm
Controller	High-Performance Micro-Controller	High-Performance Micro-Controller
Motor	DC 24V 55W Brushless Motor	DC 24V 55W Brushless Motor
Opening Speed	≤ 400 mm/s (Adjustable)	≤ 400 mm/s (Adjustable)
Closing Speed	≤ 300 mm/s (Adjustable)	≤ 300 mm/s (Adjustable)
Door Hold Time	0.3~10s (Adjustable)	0.3~10s (Adjustable)
Manual Thrust	≤ 45N	≤ 45N
Opening Direction	Optional	Optional
Supply Voltage	AC85V~AC265V 50Hz-60Hz	AC85V~AC265V 50Hz-60Hz
Temperature	-30~85° C	-30~85° C
Humidity	35~85% RH (Non Condensing)	35~85% RH (Non Condensing)
Extentions	Safety Light eyes, such as Remote Controls of various types of access control	



NASSD-01

Microwave Sensor

Implementation Technique : Microwave processor
 Transmitting Frequency : 24.125GHz
 Transmitting Power : <20 dBm EIRP
 Transmitting Frequency Density : <5mW/cm²
 Maximum Mounted Height : 3m
 Mounted Angle : 25°35°40°
 Maximum Testing Range : 4m (wide)x2m (deep)
 Testing Mode : Movement
 Maximum Testing Speed : 5cm/s
 (Both antenna vertical and horizontal test)
 Power Voltage : 12V-24V AC +/- 10%; 12V-30V DC

Power Frequency : 50-60 Hz
 Power Consumption : <2W (VA)
 Maximum Current : 1A
 Maximum Switching Power : 30W (DC) 60VA (AC)
 Output Holding Time : 0.5 s
 Temperature Range : 20° C±55° C
 Outer Case Colour : Silver Grey
 Outline Dimension : 143x47x45mm
 Lead Length : 2.5m



NASSD-02

Single Channel Remote Controller

It has a separate single channel contact output with large capacity. and the output status can be selected as holding type (L) or inching time (M), can be used for all kinds of door access.

Power Supply : AC/DC 12-36V
 Contact pull-in holding time : 2 s
 Static Current : 15mA
 Output Capacity : Main contact 20A 14 V DC
 Hand Holding Controller : 2 Standard Pipes
 Transmitting Frequency : 315 MHz
 Outline Dimension : 123 (length)*50 (width)* 32 (depth)mm
 (wireless receiver)

It has a wide range of voltage input, and 12-36V AC/DC input are effective.
 Remote switch has sound warning, and the red light will turn to green to confirm whether the switch is effective.
 Pu casing is cured and has thick film label, having beautiful and wear-proof casing.
 Anti-drop screws are fixed designs.



NASSD-03

Single Beam Safety Light

Safety light widely used in the anti-pinch auxiliary functions of the automatic doors, which can be detected precisely. Through the opening signal provided by humans and objects, the safety accident of automatic door pinching is avoided.

Current : 45mA static, 86mA movement
 Output capacity : contact 1A 24 V DC
 Power Supply : AC/DC 12-63V
 Standard wiring : (single wire) 5.5 m long
 Light eye dimensions : 19 (length)*13 (width) mm
 Controller dimensions : 123 (length)*50 (width)*32 (depth) mm

- Single beam or double beam light can be selected, and the distance can be flexible selected.
- It is composed of a set of transmitting and main controller. The transmitting distance is far and the light eye wiring is convenient and flexible.
- It can avoid the blind area that the induction probe can not detect, which makes the automatic door safer.



NASSD-04

Read the Card Password Access Disc

The door access machine is this unit is specially designed for the entrance control of the office building, office, residential houses, security system and building passage. It can read the card and in put with the cipher, and also it can control the lock ant the automatic doors.

Card reading distance : 20-100 ms
 Rated working voltage : Dc 12V ±3%
 Static current : 35mA
 Movement current : 35mA
 Storage Capacity : 1000 standard users (10 cards)
 Time difference between the first lock opening and then opening : 400ms
 Outline dimensions : 113 (length)*63 (width)*120 (depth) mm

- Sit can set 250 cards with any four digit ciphers.
- Card reading or press cipher, or output the contact signal directly can open the lock or the door automatically.
- Card power is big, and the distance should not be less than 10 cm.
- The operation is simple and clear, and the card addition or deletion is flexible. Card deletion can be done off-line.
- It has relay normally open or close contact output.



NASSD-05

Door Holder 1000mm



Benefits & Features

- Door machine system using microcomputer chip, intelligent control of opening and closing the door body running. Brush less DC motor with high efficiency, long service life, low noise, power of foot. Opening and closing sensitive, safe and reliable.
- The door body adopts aluminium alloy, foaming process, surface is made stainless steel or aluminium plate, the middle window, chose a variety of coating colour, the door body shapes and dynamic beam is provided with a sealing strip, can satisfy the hospital, nurses's station, clean factory hygienic requirements. Also can use aluminium alloy mosaic flat glass, enhanced lighting, enhance the permeability.
- Can choose a variety of linkage: infrared, microwave detector, access control etc...
- Applicable to places of corridors, passages and limited space, so that pedestrians pass, space utilization rate of the full.

Technical Parameters

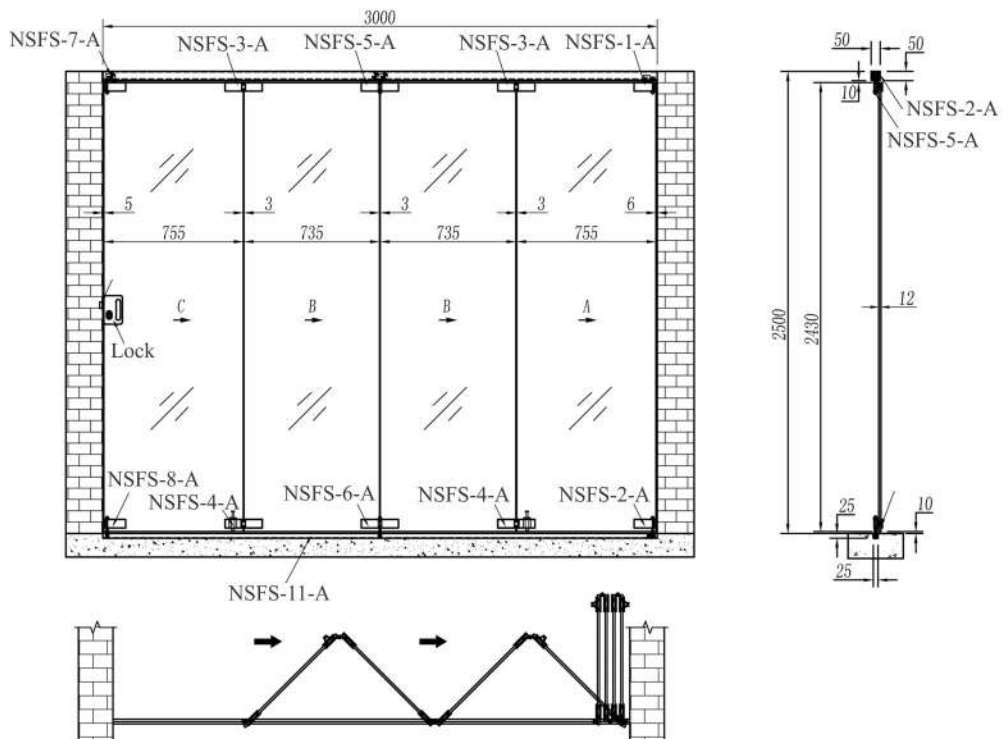
Flat open specification	For fan
Maximum width of the door opening	800~2000mm
Door height	Standard height 2000~2200mm
Open running speed	Adjustable
Closed running speed	Adjustable
Open to stop time	After rest 0.5~10 S adjustable
Operating ambient temperature	-20°C~ ±50°C



Sliding Folding System

NSFS-111-A

Movable Glass Partition System





NSFS-1-A
Upper Fixing Clip



NSFS-2-A
Lower Column Clip



NSFS-3-A
Glass Door Hinge



NSFS-4-A
Glass Door Bolt



NSFS-5-A
Folding Door Roller



NSFS-6-A
Lower Column Clip



NSFS-7-A
Folding Door Roller



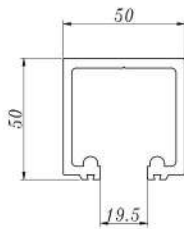
NSFS-8-A
Lower Column Clip



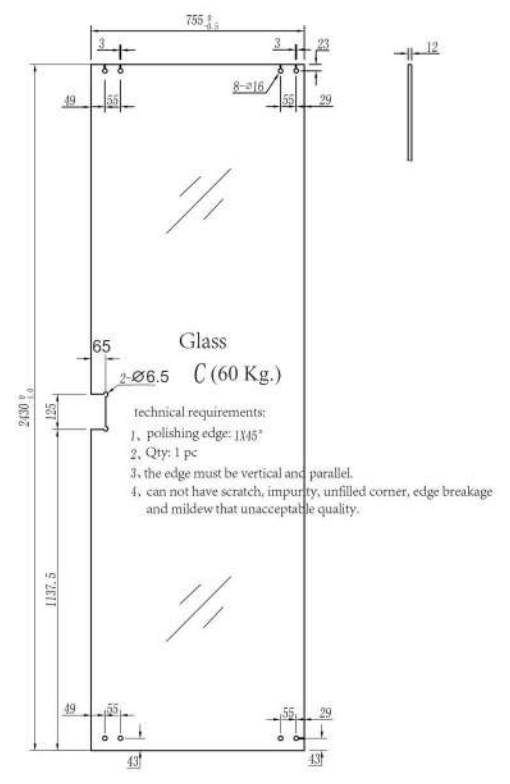
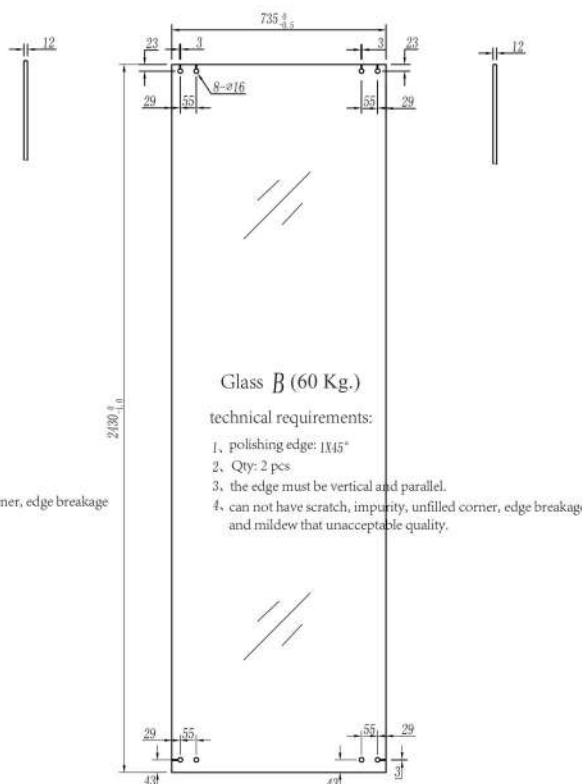
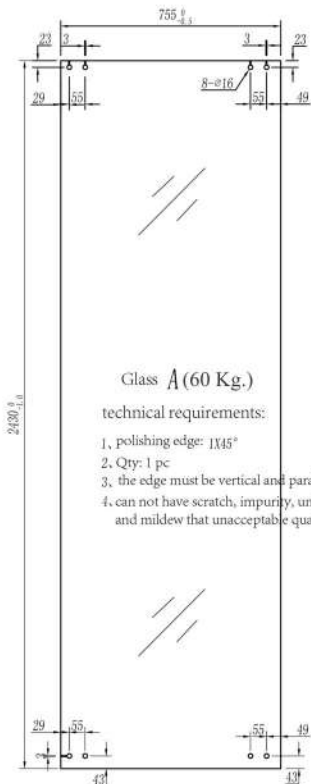
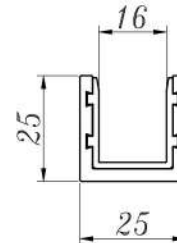
NSFS-9-A
Glass Door Bolt



NSFS-10-A
Upper Track



NSFS-11-A
Lower Track



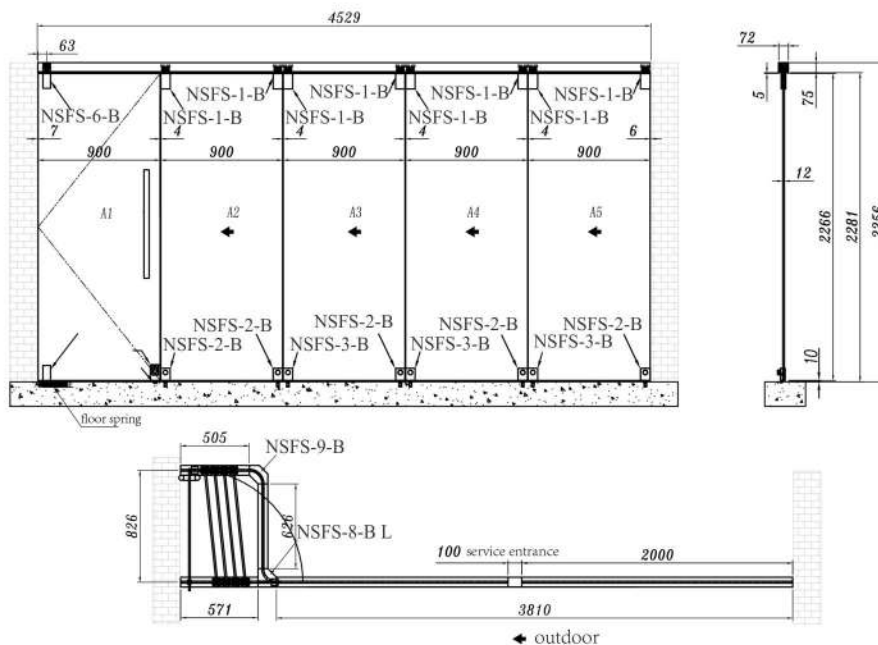
Sliding Folding System

NSFS-111-B

Movable Glass Partition System



- 1 Smooth module movement and low noise;
2. Heavy track load ensures the partition's loading safety;
3. Precise welds at track joints reduce maintenance frequency;
4. Multiple decorative frames and richly processed glass provide more options;
5. Flexible withdrawal or opening enables only one person to complete the whole partitioning process;





NSFS-1-B
Glass Clip/Roller



NSFS-2-B
Lower Bolt (with Hole)



NSFS-3-B
Lower Bolt (with Side Hole)



NSFS-4-B
Lower Bolt



NSFS-5-B
Bottom Oblong Patch Fitting



NSFS-6-B
Top Oblong Patch Fitting



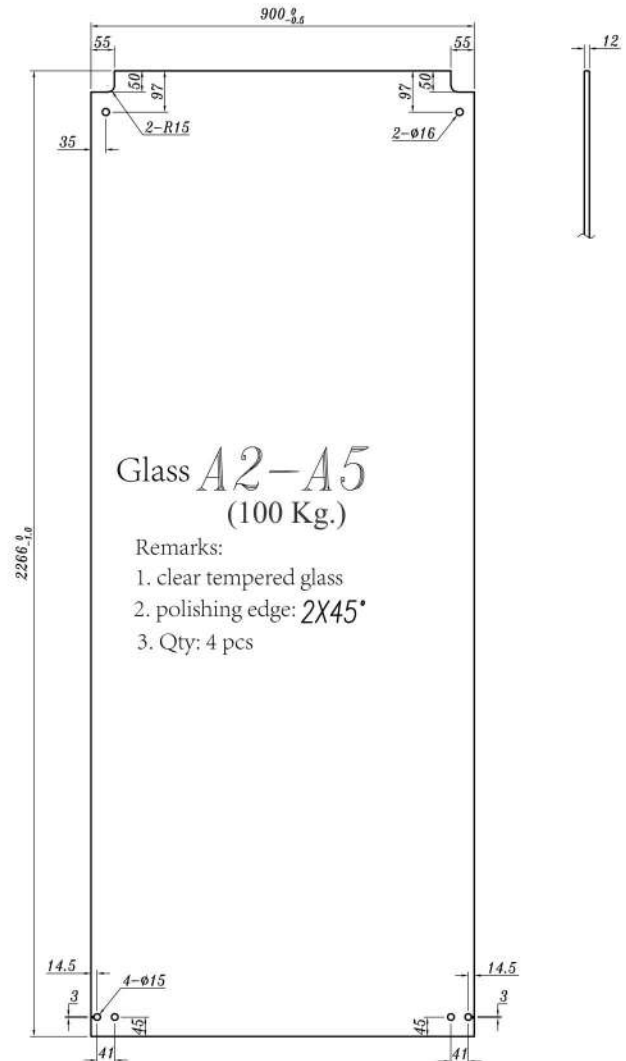
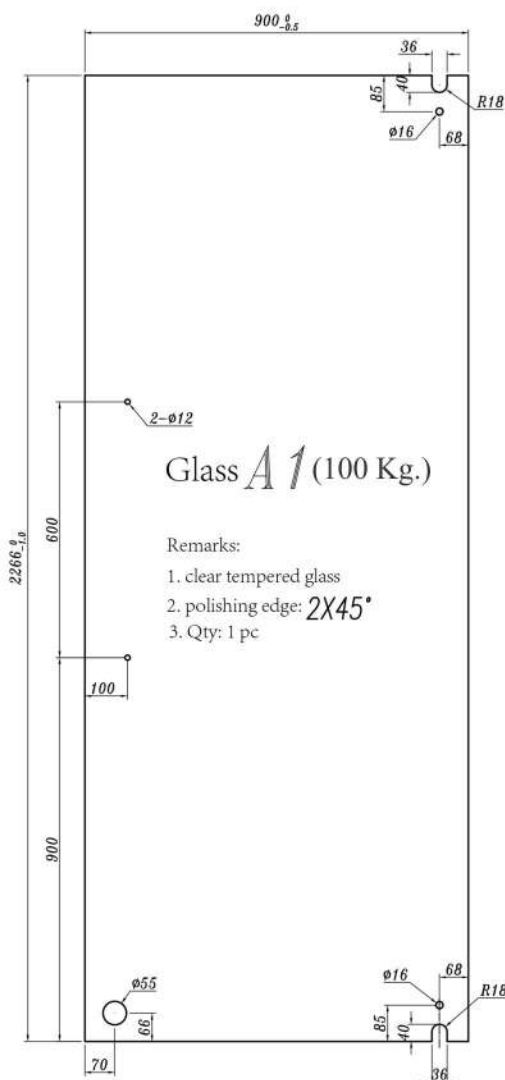
NSFS-7-B
Upper Track

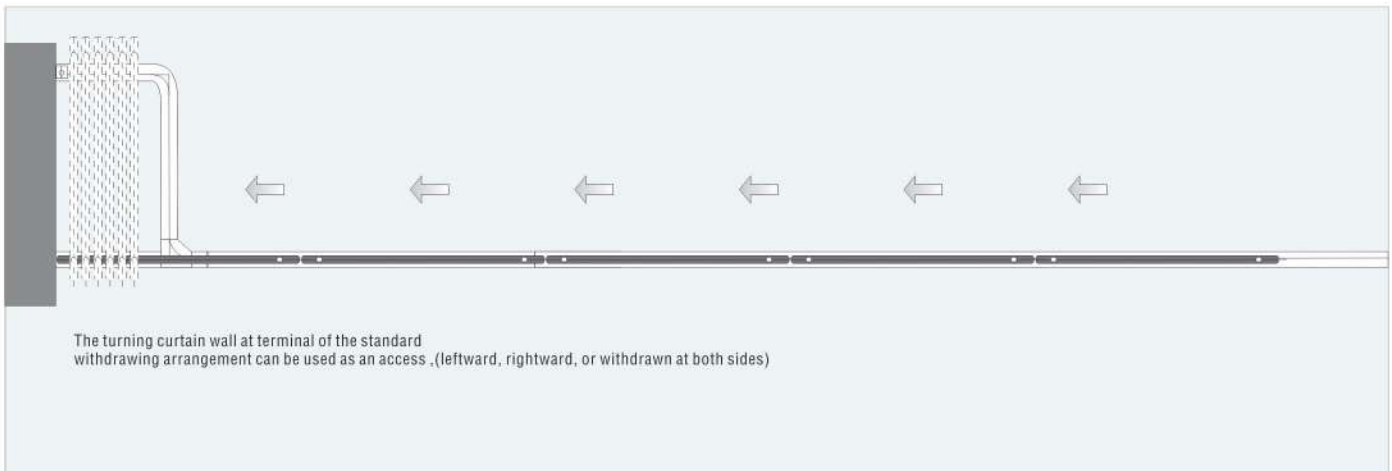


NSFS-8-B L/R
Track (T Piece)



NSFS-9-B
Track Elbow







NSFS-111-B series of movable glass partitions and functions

Horizontal movable curtain wall, all-glass structure with upper and lower door clips; simplified movable glass partition; the system comprises a one/two-way double-acting door leaves and a number of movable door leaves, meets the requirements of basic spatial partition and store system, being simple, graceful and generous.

NSFS-222-B

Movable Glass Partition System



Structural Components for Movable Glass Partition



NSFS-1-C
Folding Door Rollerr



NSFS-2-C
Glass to Glass Hinge



NSFS-3-C
Glass to Wall Hinge



NSFS-4-C
Track



NSFS-5-C
Corner Patch Lock



NSFS-6-C
Glass Door Bolt



NSFS-7-C
Bolt Sleeve



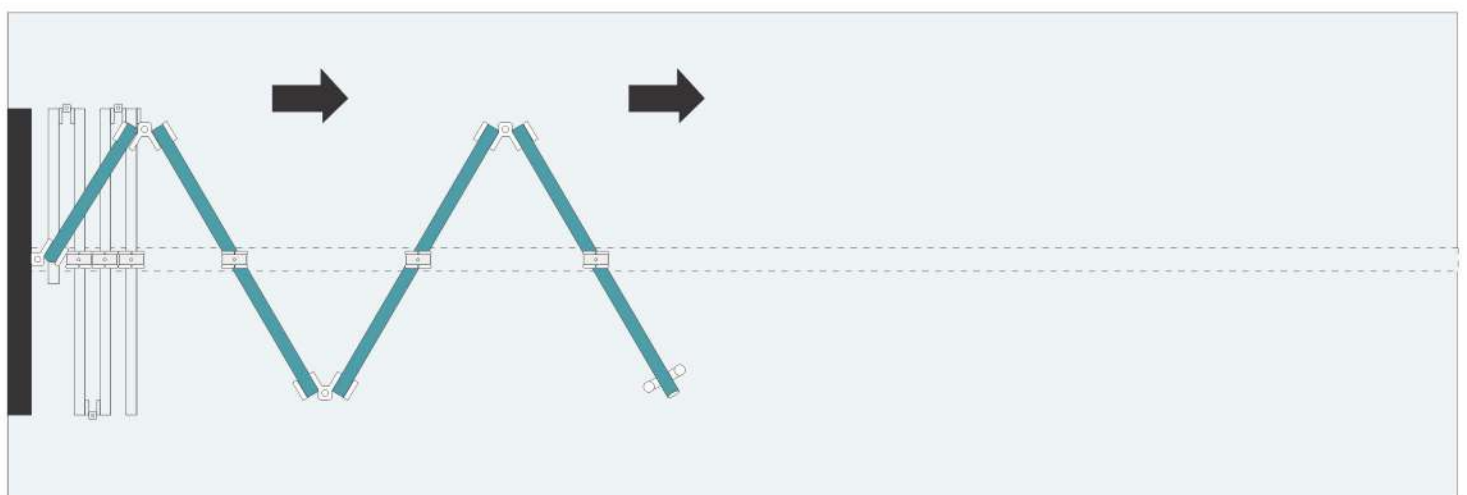
NSFS-8-C
Keep Box for Wal

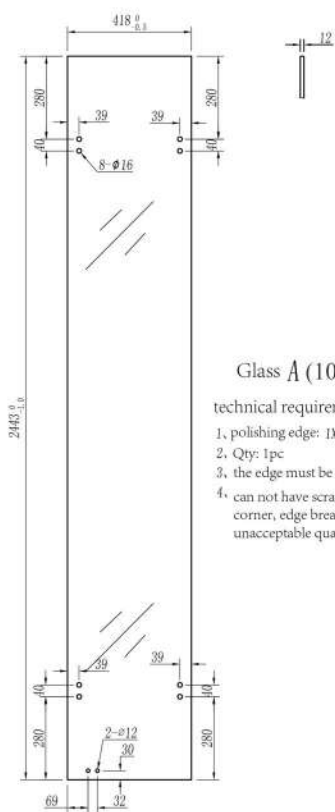
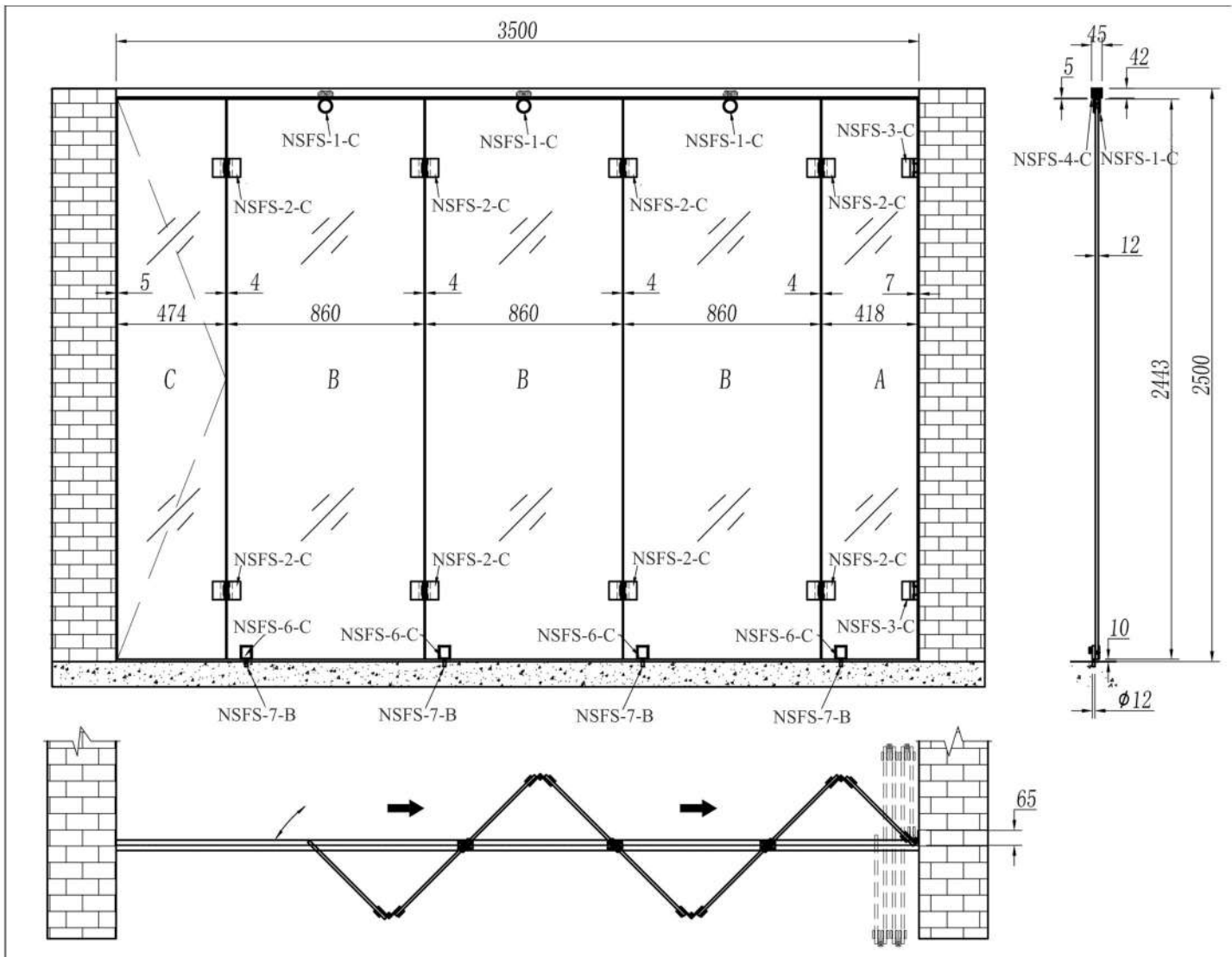


Excellent system applicable for diversified spaces

The relevance degree and practicality of spaces, with the professional design concepts, are brought to the maximum in conformity with different user demands. Not only each piece of space finds full use, but the aesthetics, functionality and reliable technology create the effective, economic and multi-shop applicable spaces. From chain shops, showrooms to shopping malls, hotels and airports, NOZDAK are sufficient to meet all your requirements.

Sliding Folding System

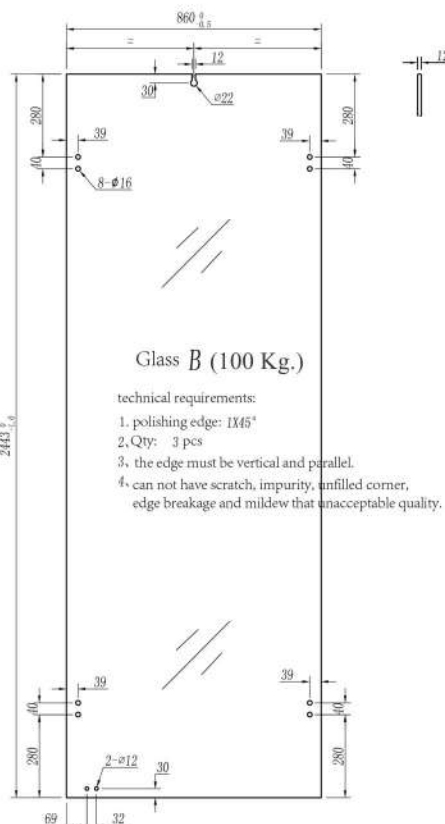




Glass A (100 Kg.)

technical requirements:

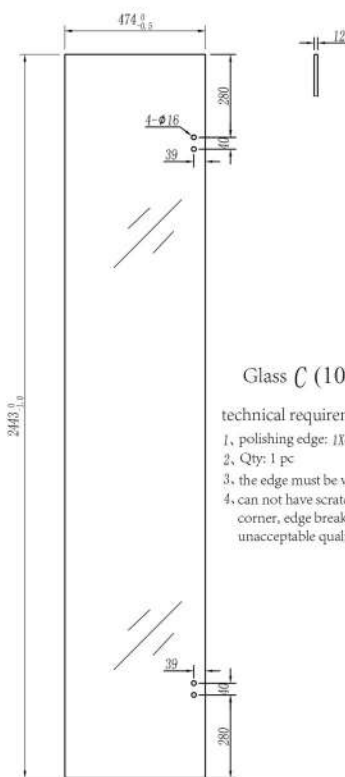
- 1, polishing edge: 1X45°
- 2, Qty: 1pc
- 3, the edge must be vertical and parallel.
- 4, can not have scratch, impurity, unfilled corner, edge breakage and mildew that unacceptable quality.



Glass B (100 Kg.)

technical requirements:

- 1, polishing edge: 1X45°
- 2, Qty: 3 pcs
- 3, the edge must be vertical and parallel.
- 4, can not have scratch, impurity, unfilled corner, edge breakage and mildew that unacceptable quality.



Glass C (100 Kg.)

technical requirements:

- 1, polishing edge: 1X45°
- 2, Qty: 1 pc
- 3, the edge must be vertical and parallel.
- 4, can not have scratch, impurity, unfilled corner, edge breakage and mildew that unacceptable quality.

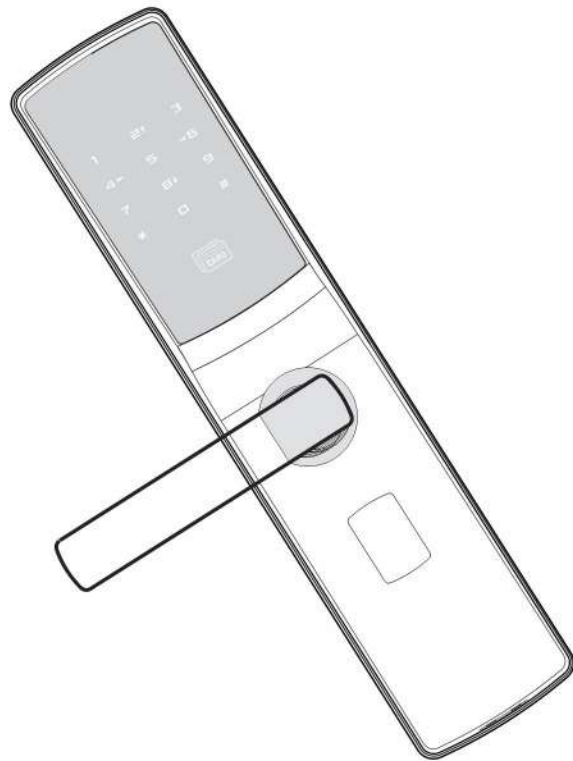


NOZDAK Smart door locks are applicable in high-level residential building, commercial project and hotels, inner and outside are both suitable, also can be used in metal and wooden doors.

Reliability : to create the safe and comfortable condition.

Adaptability : to create the best combination of environment and usage.

Experienced the unique technology, fully security function, and digital entry experience.



Smart Door Locks for Commercial and Residential







NSLK-01

Commercial & Residential Lock

Multi-opening method by password, Smart Card, RF key tag mechanical key, work together with after 5 times failure, the system will be protected automatically



Fingerprint



Password



Fit Most Security Locks

Finishing



Crystal Black



Grey



Brown



NOBLE GOLD

Function Features



Password



Dual Core Double System



NO Drilling and Direction



Alarming



Random Code



Thief-Proof Cylinder



Fit all Security Lock



Emergency Power



Fingerprint



Opening Records

Technology Specification

Method Fingerprint	Optical
Fingerprint Capacity	150 pcs
False Acceptance Rate	<0.001%
Password Combination	6-12numbers
Password Capacity	150groups
OLED Display	26.7x14.9mm
Access Record	9999pcs
Working Voltage	8节1.5V LR6碱性电池
Battery Life	≈ 15000 times
Dynamic Currently	≤ 120mA
Relative Humidity	20%-95%
Working Temperature	- 40℃~60℃
Static Current	≤ 25μA (Pass), ≤ 15μA (Fingerprint)
Material	Zinc Alloy
Door depth	40-120mm (available for others)

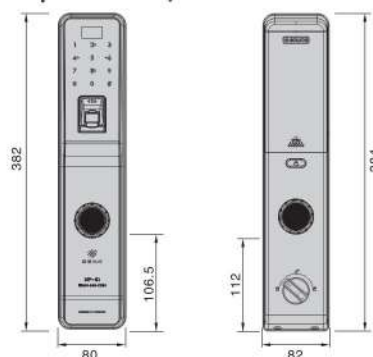
RELIABILITY

— **Industrial Standard Main board Design**, automatically SMT technique, there are some special treatment in the surface

SECURITY

— **Random Password Function**, stop any password-picking

Specification/Diimension





NSLK-02

Commercial & Residential Lock

Multi-opening method by fingerprint, password, RF key tag mechanical key, work together with after 5 times failure, the system will be protected automatically



Fingerprint



Password



Fire and Thief-Proof Lockbody



Thief-Proof Cylinder

Finishing



Crystal Black



Wood Finish



Dark Pink

Function Features



Password



Fingerprint



RF Key Tag



Alarming



Emergency



Thief-Proof Cylinder



Fire & Thief-Proof Lockbody



Opening Records



Emergency Poger

Technology Specification

Method Fingerprint	Optical
Fingerprint Capacity	130 pcs
False Acceptance Rate	<0.001%
Password Combination	6-12 numbers
Password Capacity	130groups
RC Quantity	8pcs
RC Max.Working Distance	≤ 15m
OLED Display	26.7x14.9mm
Access Record	9999 pcs
Working Voltage	4X1.5V LR6 alkaline batteries
Battery Life	≈ 15000 times
Dynamic Currently	≤ 100mA
Relative Humidity	20%-95%
Working Temperature	-25°C~60°C
Static Current	≤ 40μA
Material	Zinc Alloy
Door depth	45-120 mm (available for others)

RELIABILITY

- **Industrial Standard Main board Design**, automatically SMT technique, there are some special treatment in the surface
- **Fingerprint Learning**, automatically study the changes of finger prints and open more quickly by fingerprints

SECURITY

- **Fire-proof Lock Body**, American standard five latch
- **Multi-guranty**, connecting bar connected with the main lock assist-lock and up-to-botton bar
- **Random Password Function**, stop any password-picking
- **Fire Alarm**: Immediate alarm for any fire inside the room and give better security for families

Specification/Diimension





NSLK-03

Commercial & Residential Lock

Multi-opening method by password, Smart Card, RF key tag mechanical key, work together with after 5 times failure, the system will be protected automatically



Password



Smart Card



Fire and Thief-Proof Lockbody



Thief-Proof Cylinder

Finishing



Crystal Black



Wood Finish



Dark Pink

Function Features



Password



Smart Card



RF Key Tag



Alarming



Emergency



Thief-Proof Cylinder



Fire & Thief-Proof Lockbody



Emergency Poger

Technology Specification

Password Combination	6-8 numbers
Password Capacity	99 groups
Card Type	MF1
Card Capacity	100 pcs
Card Reading Range	< 3cm
Card Working Frequency	13.56MHZ
RC Quantity	8 pcs
RC Max. Working Distance	≤ 15m
Working Voltage	4X1.5V LR6 alkaline batteries
Battery Life	≈ 15000 times
Dynamic Current	≤ 100mA
Relative Humidity	20%-95%
Working Temperature	-25°C~60°C
Static Current	< 40μA
Material	Zinc Alloy
Door depth	45-120mm (available for others)

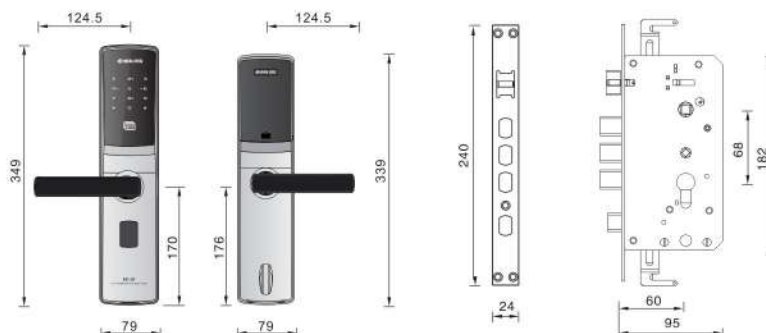
RELIABILITY

- **Industrial Standard Main board Design**, automatically SMT technique, there are some special treatment in the surface
- **PHILIPS SmartCard Technology**, with High Reliability and Security

SECURITY

- **Fire-proof Lock Body**, American standard five latch
- **Multi-guranty**, connecting bar connected with the main lock assist-lock and up-to-botton bar
- **Random Password Function**, stop any password-picking
- **Fire Alarm**: Immediate alarm for any fire inside the room and give better security for families

Specification/Dimension





NSLK-04

Commercial & Residential Lock

Function Features



Smart Card



No Need Web



Alarming



Emergency



Kaba Cylinder



Management



Five Latch Lock

Technology Specification

The Number Of Registration Cards	121 pcs
Reading Time	<1S
Reading Range	<3cm
Sensor Frequency	125KHZ
Static Current	<15 μ A
Working Voltage	4pcs LR6 alkaline batteries
Battery Working Life	>10000 times
Temperature	-10°C~50°C
Humidity	20%~80%
Material	Znic Alloy
Door Depth	40mm~55mm(available for others)

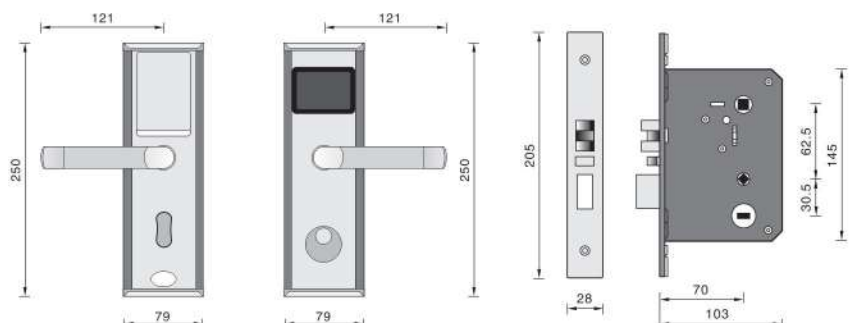
RELIABILITY

- **Industrial Standard Main board Design**, automatically SMT technique, there are some special treatment in the surface
- **Advanced Surface Treatment**, durable and anti-corrosion

SECURITY

- **High Security Lockbody**, American standard five latch lockbody
- **No-disturb Function**, to turn the knob

Specification/Diimension



Cylinder Cover



Battery Box



Security Line-way



Kaba Cylinder

Finishing



BG/SIG



CHROME



NOBLE SILVER



NOBLE GOLD



Satin Chrome



NSLK-05

Commercial & Residential Lock

Function Features



Smart Card



No Need Web



Alarming



Emergency



Kaba Cylinder



Management



Five Latch Lock

Technology Specification

The Number Of Registration Cards	121 pcs
Reading Time	<1S
Reading Range	<3cm
Sensor Frequency	125KHZ
Static Current	<15 μ A
Working Voltage	4pcs LR6 alkaline batteries
Battery Working Life	>10000 times
Temperature	-10℃~50℃
Humidity	20%~80%
Material	Znic Alloy
Door Depth	40mm~55mm(available for others)

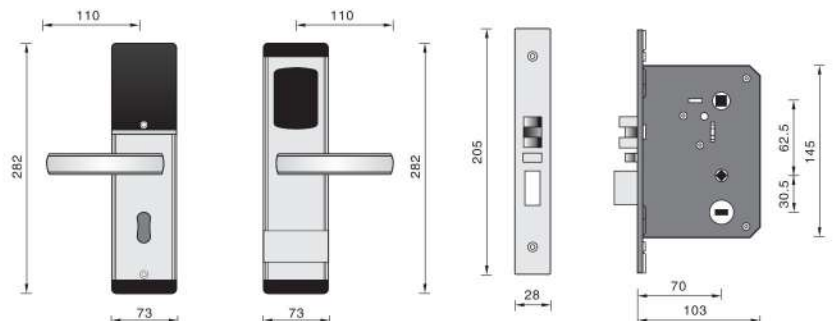
RELIABILITY

- **Industrial Standard Main board Design**, automatically SMT technique, there are some special treatment in the surface
- **Advanced Surface Treatment**, durable and anti-corrosion

SECURITY

- **High Security Lockbody**, American standard five latch lockbody
- **No-disturb Function**, to turn the knob

Specification/Diimension



Cylinder Cover



Battery Box



Security Line-way



Kaba Cylinder

Finishing



BG/SIG



CR/SCR



NOBLE SILVER



NOBLE GOLD



NSLK-06

Commercial & Residential Lock

Function Features



Smart Card



No Need Web



Alarming



Emergency



Kaba Cylinder



Management



Five Latch Lock

Technology Specification

The Number Of Registration Cards	121 pcs
Reading Time	<1S
Reading Range	<3cm
Sensor Frequency	125KHZ
Static Current	<15 μ A
Working Voltage	4pcs LR6 alkaline batteries
Battery Working Life	>10000 times
Temperature	-10℃~50℃
Humidity	20%~80%
Material	Brass
Door Depth	42mm~60mm(available for others)

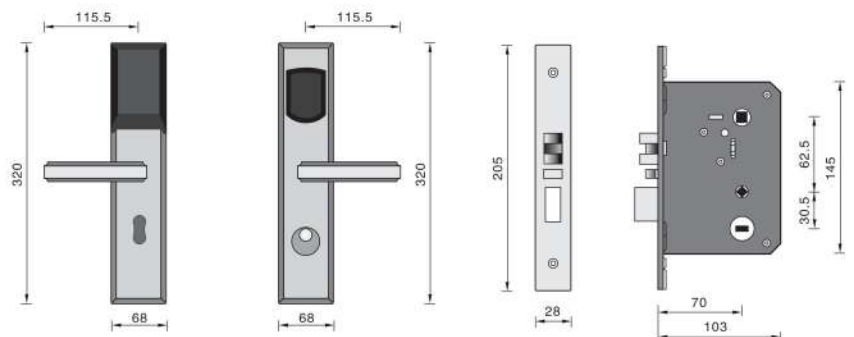
RELIABILITY

- **Industrial Standard Main board Design**, automatically SMT technique, there are some special treatment in the surface
- **Quality Material**, Brass forging ,sterilization and long life

SECURITY

- **High Security Lockbody**, American standard five latch lockbody
- **No-disturb Function** ,to turn the knob

Specification/Diimension



Cylinder Cover



Battery Box



Security Line-way



Kaba Cylinder

Finishing



BG/SIG



NLS SIN



NOBLE GOLD



NSLK-07

Commercial & Residential Lock



Cylinder Cover



Battery Box



Security Line-way



Kaba Cylinder

Finishing



BG/SIG



CHROME



NOBLE SILVER



NOBLE GOLD

Function Features



Smart Card



No Need Web



Alarming



Emergency



Kaba Cylinder



Management



Five Latch Lock

Technology Specification

The Number Of Registration Cards	121 pcs
Reading Time	<1s
Reading Range	<3cm
Sensor Frequency	125KHZ
Static Current	<15 μ A
Working Voltage	4pcs LR6 alkaline batteries
Battery Working Life	>10000 times
Temperature	-10℃~50℃
Humidity	20%~80%
Material	Znic Alloy
Door Depth	40mm~55mm(available for others)

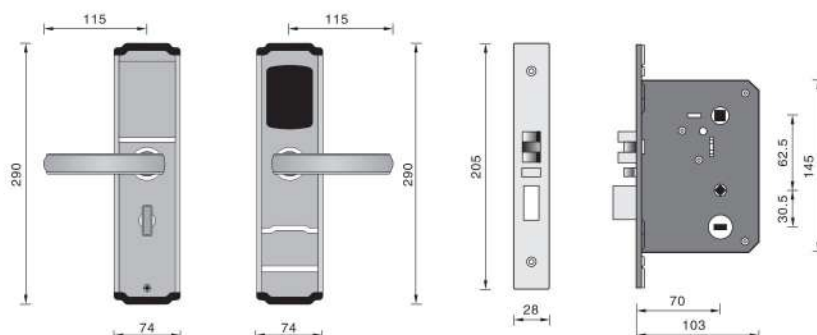
RELIABILITY

- **Industrial Standard Main board Design**, automatically SMT technique, there are some special treatment in the surface
- **Advanced Surface Treatment**, durable and anti-corrosion

SECURITY

- **High Security Lockbody**, American standard five latch lockbody
- **No-disturb Function**, to turn the knob

Specification/Diimension





NSLK-08

Commercial & Residential Lock

Function Features



Fingerprint



Password



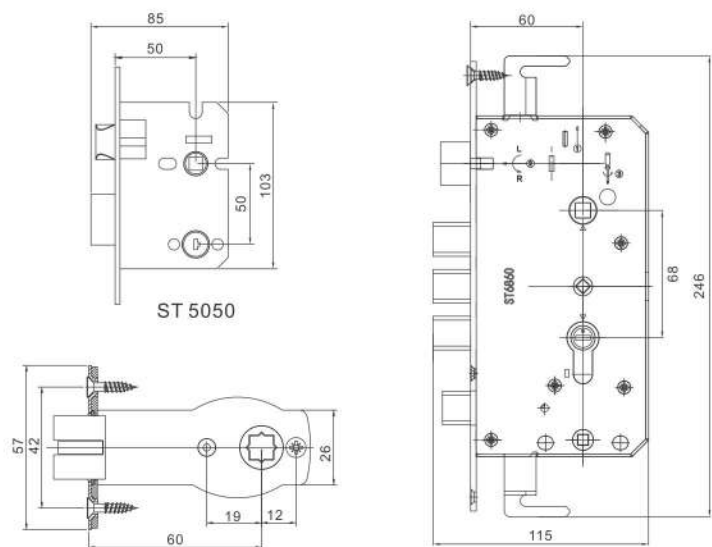
Smart Card



Key

Technology Specification

Working Power	4X1.5V AA battery(5#)
Static Current	≤60uA
Dynamic Current	<200mA
Working Temperature	-20℃ ~ 85℃
Working Humidity	20%~90%
User Capacity	Password: Max. 50 groups Fingerprint: Max. 100 groups Card: Max. 100 pcs
Password Digits	6-12 Digits
False Reject Rate	<0.1%
False Accept Rate	<0.0001%
Front Lock plate Size	270x60x25mm
Back Lock plate Size	274x60x26mm
Applicable Thickness	35mm-120mm



Finishing



Grey



Brown



Amber
GOLD

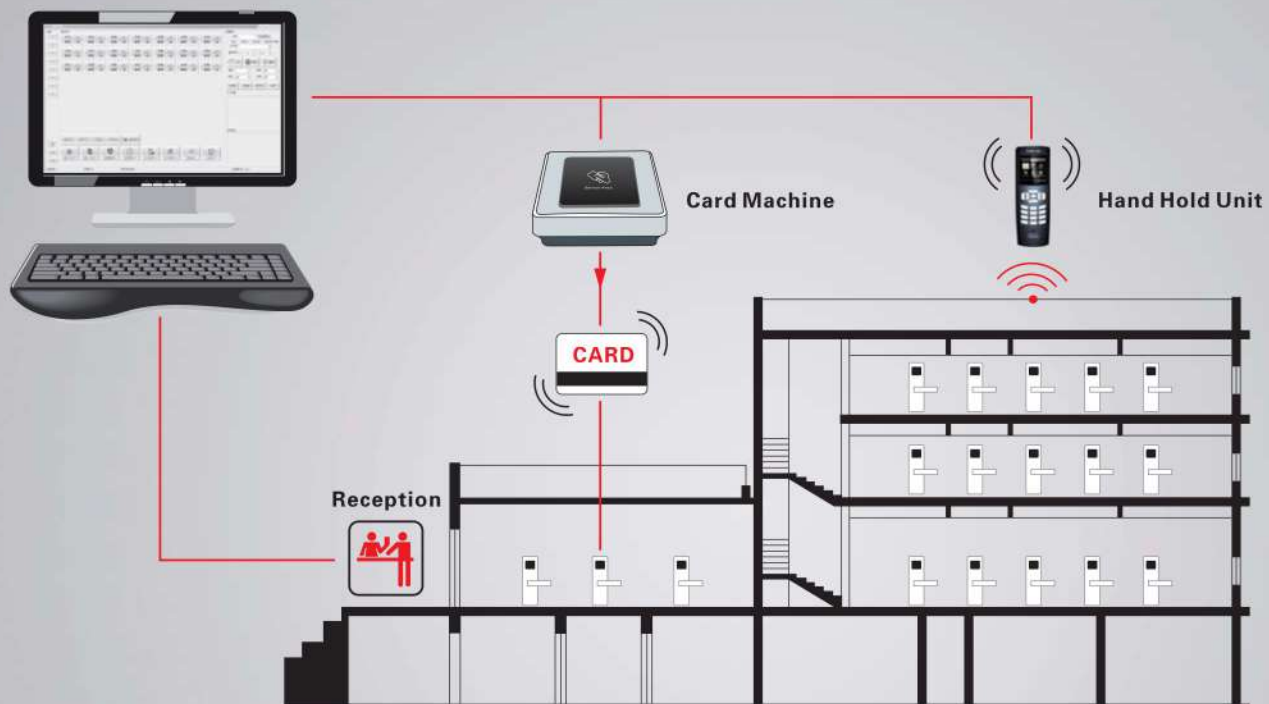
Hotel Door Lock Series



NOZDAK is specialized in developing the hotel electronic lock, Accumulating a professional hotel lock management option, the options is including hotel electronic lock system, hotel access control system, hotel elevator control system, hotel power-saving system, hotel security system, Hotel logistic dept management system, hotel matching hardware facilities

Solutions for Management System

NOZDAK Hotel Management System serves the room management with large-scale-based database system, provides convenient and effective modern solutions for integrated hotel management.

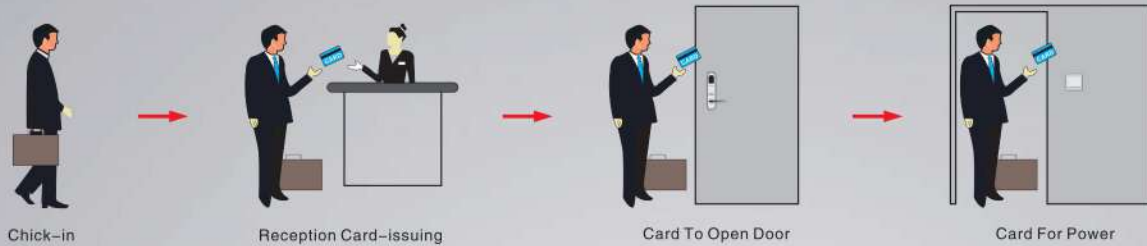


MANAGEMENT SYSTEM FEATURES

- **Access Management**, multi-level access for system operation
- **Friendly Interface**, simple and graphical Chinese/English interface
- **Database Backup**, automatic system backup to ensure stable and secure
- **Lost Card Claiming**, cardless claim operation at reception, new card override the lost one
- **Group Check-in**, intelligent and fast generate rooms for group
- **Real-time Room Status**, visualized room status for management

Card Function

T5557/MIFARE-1(MF1)CARD



MIFARE-1(MF1)CARD FUNCTIONAL EXTENSION



NOZDAK hotel management system adopt **MIFARE-1** as the core point, combining the hotel lock management, access management system, parking all these to be a organic part, one card can be enough to use at all the consuming , it is a better way to avoid the trouble , it makes things easier, simple. It guarantee the different dept. operation independence ,also guarantee the systematic Management

Due to that induction type cards have many benefits of high capacity, high reliability (no mechanical influence) , high security, easy operations and long life time, they have been widely used into various kinds of buildings, public charging, the communities, schools and factories.

Other Application



Smart door locks, provide not only an integrated and systematic application of management for hotels, but also safe and convenient managerial solutions for schools, hospitals, buildings, government, military and other public places to provide

NOZDAK electronic Intelligent locks provide the mature and complete access control, and flexible and convenient management system, to ensure the ID verifications, tracking records, and access rights



NSLK-01-H
Hotel Door Lock

Function Features



Smart Card



No Need Web



Alarming



Emergency



Kaba Cylinder



Management



Five Latch Lock



Opening Records

Technology Specification

Registered Cards Number	No limitation
Reading Time	<1s
Reading Range	<3cm
T5557 Sensor Frequency	125KHZ
M1 Sensor Frequency	13.56MHZ
Working Voltage	4PCS LR6 alkaline batteries
Static Current	<15 μA
Dynamic Current	<120mA
Lower Voltage Warning	< 4.8V (250 times at least)
Working Temperature	-10°C~50°C
Working Humidity	20%~80%
Material	304Stainless Steel
Door Thickness Request	40mm~55mm (available for others)

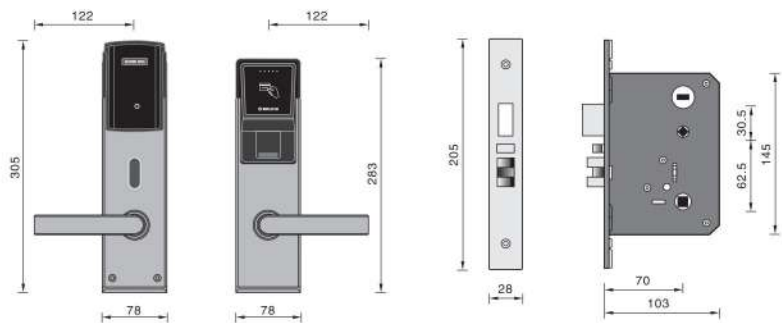
RELIABILITY

- **Industrial Standard Main board Design**, automatically SMT technique, there are some special treatment in the surface
- **Professional Control Units** for more stablized energy-saving
- **Imported Motor Parts** for longer life-time;
- **Quality Material**, 304 stainless steel

SECURITY

- **High Security Lockbody**, American standard five latch lockbody
- **Advanced Encryption Algorithms** for higher security
- **No-disturb Function**, to turn the knob

Specification/Diimension



Cylinder Cover



Battery Box



Security Line-way



Kaba Cylinder

Finishing



SSS-B



SSS-C



SSS-G



PVD-B



PVD-C



PVD-G



PSS-B



PSS-C



PSS-G



NSLK-02-H
Hotel Door Lock

Function Features



Smart Card



No Need Web



Alarming



Emergency



Kaba Cylinder



Management



Five Latch Lock



Opening Records

Technology Specification

Registered Cards Number	No limitation
Reading Time	<1s
Reading Range	<3cm
T5557 Sensor Frequency	125KHZ
M1 Sensor Frequency	13.56MHZ
Working Voltage	4PCS LR6 alkaline batteries
Static Current	<15 μ A
Dynamic Current	<120mA
Lower Voltage Warning	<4.8V (250 times at least)
Working Temperature	-10 $^{\circ}$ C~50 $^{\circ}$ C
Working Humidity	20%~80%
Material	Zinc Alloy
Door Thickness Request	40mm~55mm (available for others)

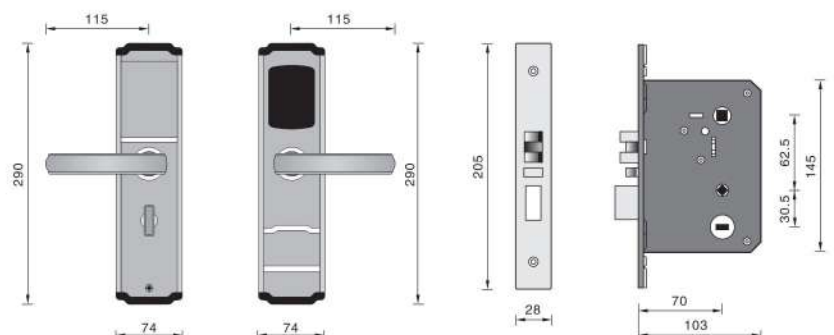
RELIABILITY

- **Industrial Standard Main board Design**, automatically SMT technique, there are some special treatment in the surface
- **Advanced Surface Treatment**, durable and anti-corrosion

SECURITY

- **High Security Lockbody**, American standard five latch lockbody
- **No-disturb Function**, to turn the knob

Specification/Diimension



Cylinder Cover



Battery Box



Security Line-way



Kaba Cylinder

Finishing



BG/SIG



CR
CHROME



NOBLE
SILVER



NOBLE
GOLD



NSLK-03-H
Hotel Door Lock

Function Features



Smart Card



No Need Web



Alarming



Emergency



Up-Down Cylinder



Management



Fire Proof Lock



Opening Records



Emergency Power

Technology Specification

Registered Cards Number	No limitation
Reading Time	<1s
Reading Range	<3cm
T5557 Sensor Frequency	125KHZ
M1 Sensor Frequency	13.56MHZ
Working Voltage	4PCS LR6 alkaline batteries
Static Current	<15μA
Dynamic Current	<120mA
Lower Voltage Warning	< 4.8V (250 times at least)
Working Temperature	-10°C~50°C
Working Humidity	20%~80%
Material	Al-Mg Alloy
Door Thickness Request	40mm~55mm (available for others)

RELIABILITY

- **Industrial Standard Main board Design**, automatically SMT technique, there are some special treatment in the surface
- **Advanced Surface Treatment**, car painting technology durable

SECURITY

- **Fire-proof Lock Body**, American standard five latch lockbody
- **Break-proof**, free turning handle
- **No-disturb Function**, to lift the inner handle to lock the door



Liver Lifting Lock



Battery Box



Emergency Power



Up-Down Cylinder

Finishing



Pearl Grey

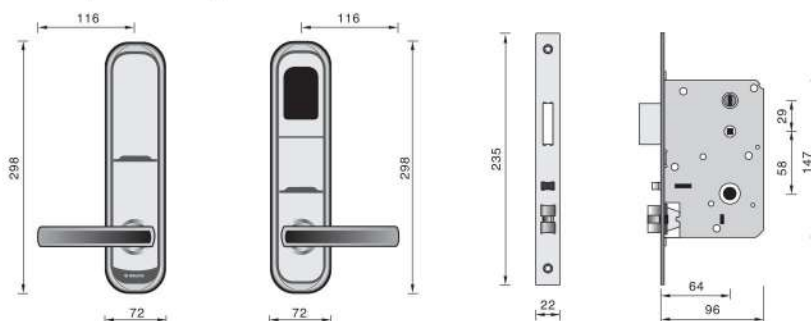


NOBLE SILVER



NOBLE GOLD

Specification/Diimension





NSLK-04-H
Hotel Door Lock

Function Features



Smart Card



No Need Web



Alarming



Emergency



Kaba Cylinder



Management



Five Latch Lock



Opening Records

Technology Specification

Registered Cards Number	No limitation
Reading Time	<1s
Reading Range	<3cm
T5557 Sensor Frequency	125KHZ
M1 Sensor Frequency	13.56MHZ
Working Voltage	4PCS LR6 alkaline batteries
Static Current	<15μA
Dynamic Current	<120mA
Lower Voltage Warning	< 4.8V (250 times at least)
Working Temperature	-10°C~50°C
Working Humidity	20%~80%
Material	Brass
Door Thickness Request	42mm~60mm (available for others)

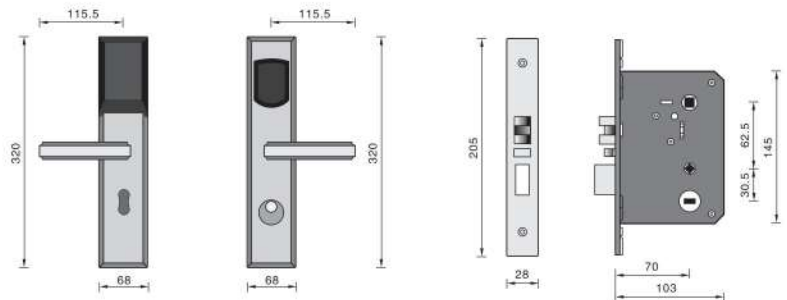
RELIABILITY

- **Industrial Standard Main board Design**, automatically SMT technique, there are some special treatment in the surface
- **Quality Material**, brass forging, sterilization and long life

SECURITY

- **High Security Lockbody**, American standard five latch lockbody
- **No-disturb Function**, to turn the knob

Specification/Diension



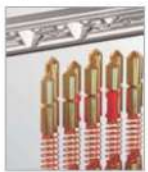
Cylinder Cover



Battery Box



Security Line-way



Kaba Cylinder

Finishing



PVD



BG/SIG



NSL-Sin



NSLK-05-H
Hotel Door Lock

Function Features



Smart Card



No Need Web



Alarming



Emergency



Kaba Cylinder



Management



Five Latch Lock



Opening Records

Technology Specification

Registered Cards Number	No limitation
Reading Time	<1s
Reading Range	<3cm
T5557 Sensor Frequency	125KHZ
M1 Sensor Frequency	13.56MHZ
Working Voltage	4PCS LR6 alkaline batteries
Static Current	<15 μA
Dynamic Current	<120mA
Lower Voltage Warning	<4.8V (250 times at least)
Working Temperature	-10°C~50°C
Working Humidity	20%~80%
Material	Zinc Alloy
Door Thickness Request	40mm~55mm (available for others)

RELIABILITY

- **Industrial Standard Main board Design**, automatically SMT technique, there are some special treatment in the surface
- **Advanced Surface Treatment**, durable and anti-corrosion

SECURITY

- **High Security Lockbody**, American standard five latch lockbody
- **No-disturb Function**, to turn the knob

Specification/Dimension



Cylinder Cover



Battery Box



Security Line-way



Kaba Cylinder

Finishing



BG/SIG



CHROME



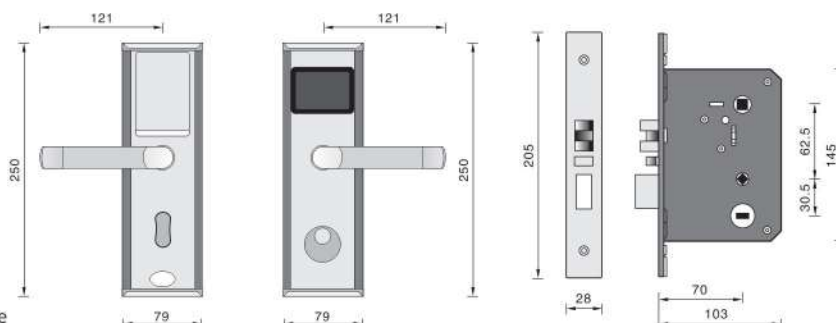
NOBLE SILVER



NOBLE GOLD



SCR Satin Chrome



View After Installation



Card Reader



FUNCIONS INTRODUCTION

Data communication between reader and card is encrypted. Also, there is dual verifying between the card and the equipment; communication error will be automatically detected. Multi-Cards processing at same time, fully readable and writable operation.



FUNCTIONS

- **Access Record**, collect the access record
- **Rectify Lock Time**, synchronize the lock time with computer
- **Set Room Number**, set the lock to the specific room number
- **Check-out Operation**, manage the room status real time
- **Card Information**, read the card data instantly
- **Manage by Authorization**, distinguish administrator and normal user

TECHNICAL FEATURE

- Color Screen Display, elegant appearance
- Human Interface for easy operation
- Energy Saving, enter standby mode within 30 seconds
- Use USB to communicate with computer
- Use Wireless Microwave to read/write data on lock

Power Saving Switch



FUNCTION INTRODUCTION

The power-saving switch contains the function of safety and power-saving

When the guest enter the room, the card need to be inserted to gain power

When the guest leave the room and take out the card, the main power will be automatically cut off in 15 seconds

Technical Specifications

SPECIAL CARDS RECOGNITION

- Only the specific Hotel Card can be used for power

DELAYED POWER-CUTTING DESIGN

- When the card took out, the main power will be automatically cut off in 15 seconds, power-saving and ensure safe

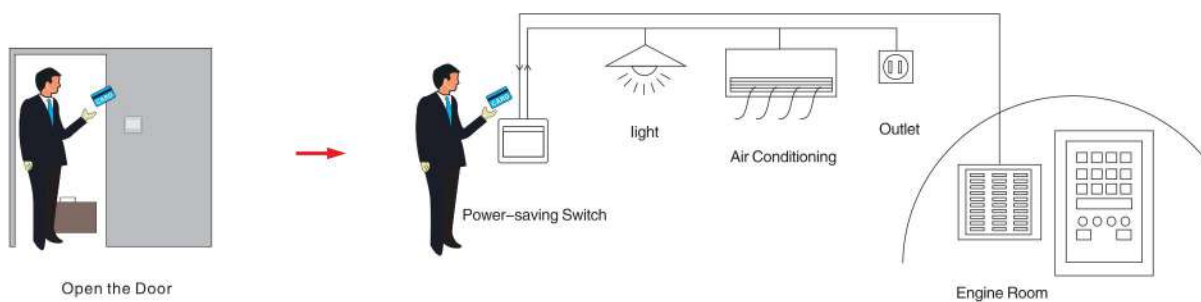
LED LIGHT INDICATOR

- Convenient for night recognition

MODEL SHEET



PRODUCT LIST	01	02	03
MF1	BL-101 M1	—	BL-301 M1
T5557	BL-102 R F	BL-202 RF	BL-302 RF
MF1	—	—	—
T5557	—	—	—



At NOZDAK, we believe in looking beyond the obvious to find a better design that not just enhances any ambiance but also changes the quality of life. In order to continue our quest for perfection, we welcome your feedback that will help us find the next level of excellence. Just for you!



TOP DRAWERS PVT. LTD. MFR of Glass Fittings

E : sales@topdrawers.co.in Web : www.topdrawers.co.in

Legal Disclaimer

Whilst every effort has been made to ensure that the information contained in this catalogue is accurate at the time of publication, Nozdak recommends that you consult Nozdak or its agents, distributor or authorised dealer prior to placing an order to ascertain current information on specific product, as Nozdak reserves the right to make changes without prior notice.

Nozdak will not liable for any injury, loss or omissions in the information contained in the catalogue or arising from the use or application of the information contained herein. This Catalogue does not constitute an offer for sale of any particular product.